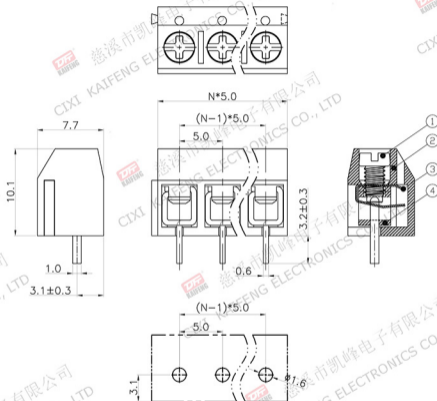


REV.	DESCRIPTION	DATE	DRAFTER	APPROVER
A1	DWG.REL	2020.05.17	DENG	JIN



- Material
  - ØScrews : M2.5 steel, Zinc plated,
  - \*-/+ slot type
  - ØHousing : PA66, UL94V-0
  - ØReed : Copper alloy, Ni plated or stainless steel
  - ØPin header : Copper alloy, Tin plated

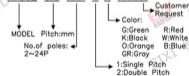
- Electrical
  - UL IEC
  - Rated voltage : 300V 250V
  - Rated current : 16A 17.5A
  - Contact resistance : 20mΩ(Max)
  - Insulation resistance : 500MΩ/DC500V
  - Withstanding Voltage : AC2000V/1min
  - Wire range : 22-14AWG 2.5mm<sup>2</sup>

- Mechanical
  - Operating temperature: -30℃~+120℃
  - Soldering temperature: 250℃±5/5sec
  - Torque: 0.4N.m (3.5Lb.in)
  - Strip length: 4.5-5mm

- RoHS compliance

#### HOW TO ORDER

KF302-5.0-XXP-1 X-XXXXX



#### P.C.B.LAYOUT

Pitch range		Nominal dimension range				PROJECTION	TITLE
>0	>6	>10	>0	>30	>60	>100	6.1/10
6	10	24	30	60	100	150	<
±0.15	±0.20	±0.30	±0.30	±0.50	±0.70	±1.00	±2
DRAWING TYPE		CUSTOMER DRAWING					
SCALE		1:1 SHEET 1 OF 1					
DRAWING NO.		W15000162					

UNIT	TITLE
mm	KF302-5.0-XXP-1X
SHEET SIZE	SERIES
A4	KF302

**DF** 慈溪市凯峰电子有限公司  
CIXI KAIFENG ELECTRONICS CO., LTD