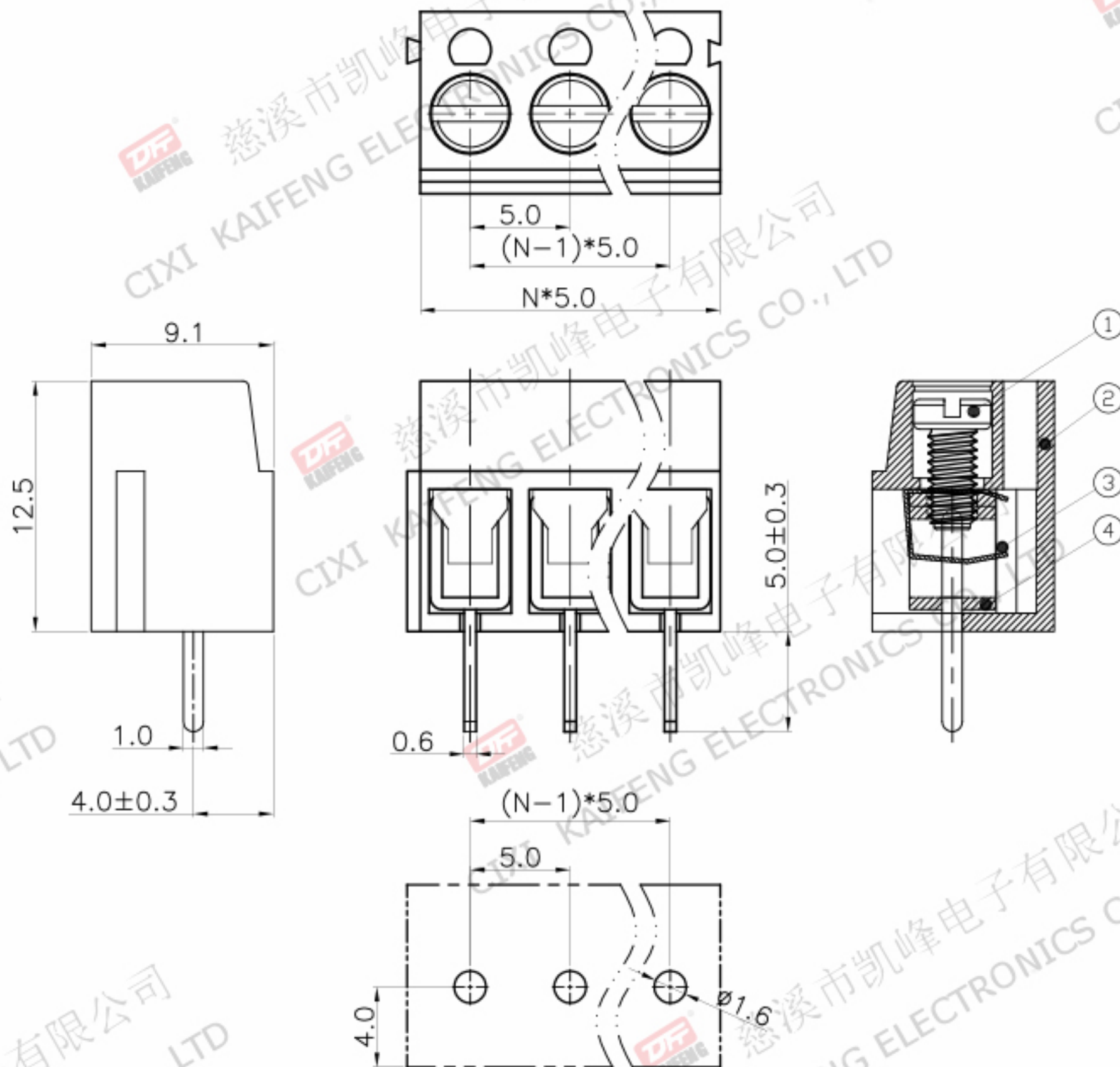


REV.	DESCRIPTION	DATE	DRAFTER	APPROVER
A1	DWG.REL	2020.05.18	DENG	JIN

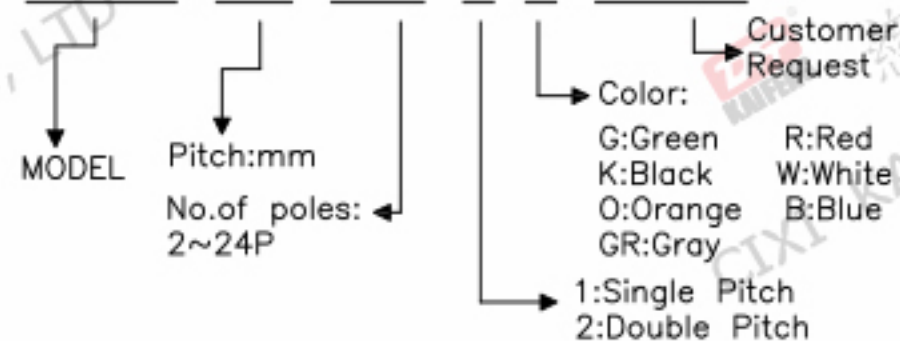


- Material
 - ①Screws : M2.5 steel, Zinc plated, - slot type
 - ②Housing : PA66, UL94V-0
 - ③Reed : Copper alloy, Ni plated or stainless steel
 - ④Pin header : Copper alloy, Tin plated
- Electrical

UL	IEC
Rated voltage : 300V	250V
Rated current : 12A	24A
Contact resistance : 20mΩ(Max)	
Insulation resistance: 500MΩ/DC500V	
Withstanding Voltage : AC2000V/1min	
Wire range: 22-14AWG 2.5mm ²	
- Mechanical
 - Operating temperature: -30°C ~ +120°C
 - Soldering temperature: 250°C ± 5 / 5sec
 - Torque: 0.4N.m (3.54Lb.in)
 - Strip length: 4.5-5mm
- RoHS compliance

HOW TO ORDER

KF305-5.0-XXP-1 X-XXXX



P.C.B.LAYOUT

Pitch range	Nominal dimension range							PROJECTION	TITLE
>0	>6	>10	>0	>30	>60	>100	>150	0.1/10	KF305-5.0-XXP-1X
~6	~10	~24	~30	~60	~100	~150	>150	<	SHEET SIZE A4
±0.15	±0.20	±0.30	±0.30	±0.50	±0.70	±1.00	±1.30	±2'	SERIES KF305
DRAWING TYPE		CUSTOMER DRAWING							
SCALE		1:1	SHEET		1 OF 1				
DRAWING NO.		W15000172							

DF 慈溪市凯峰电子有限公司
CIXI KAIFENG ELECTRONICS CO.,LTD