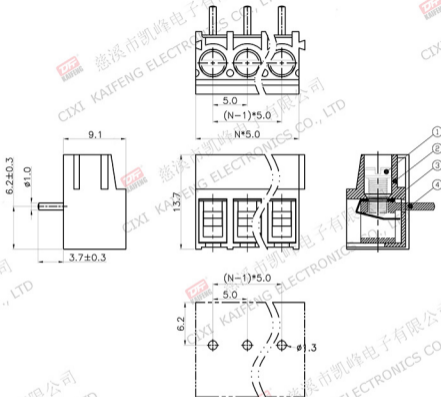


REV.	DESCRIPTION	DATE	DRAFTER	APPROVER
A1	DWG.REL	2020.05.18	DENG	JIN



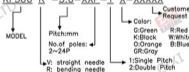
- Material
 - ØScrews : M3.0 steel, Zinc plated,
 - *slot type
 - ØHousing : PA66, UL94V-0
 - ØReed : Copper alloy, Ni plated or stainless steel
 - ØPin header : Copper alloy, Tin plated

- Electrical
 - UL IEC
 - Rated voltage : 300V 250V
 - Rated current : 12A 25A
 - Contact resistance : 20mΩ(Max)
 - Insulation resistance: 500MΩ/DC500V
 - Withstanding Voltage : AC2000V/1min
 - Wire range : 22-14AWG 2.5mm²

- Mechanical
 - Operating temperature: -40℃~+105℃
 - Soldering temperature: 250℃±5/5sec
 - Torque : 0.5N.m (4.43Lb.in)
 - Strip length: 4.5-5mm

- RoHS compliance

HOW TO ORDER
KF306 R -5.0-XXP-1 X-XXXXX



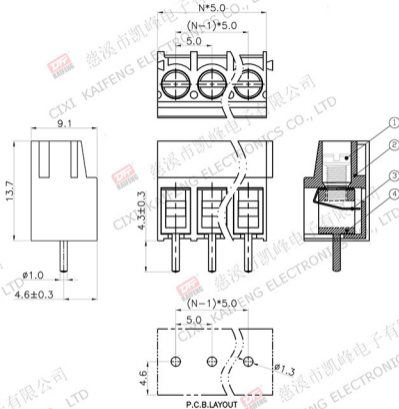
P.C.B.LAYOUT

Pitch range	Nominal dimension range					PROJECTION	UNIT	TITLE
>0	>6	>10	>15	>20	>30	>60	>100	6.1/10
6	10	24	30	60	100	150	150	<
±0.15	±0.20	±0.30	±0.30	±0.50	±0.70	±1.00	±1.30	±2
DRAWING TYPE		CUSTOMER DRAWING						
SCALE		1:1			SHEET		1 OF 1	
DRAWING NO.		W15000182						

DF

慈溪市凯峰电子有限公司
CIXI KAIFENG ELECTRONICS CO.,LTD

REV.	DESCRIPTION	DATE	DRAFTER	APPROVER
A1	DWG.REL	2020.05.18	DENG	JIN



- Material
 - ⊙Screws : M3.0 steel, Zinc plated, -* slot type
 - ⊙Housing : PA66, UL94V-0
 - ⊙Reed : Copper alloy, Ni plated or stainless steel
 - ⊙Pin header : Copper alloy, Tin plated

- Electrical
 - UL IEC
 - Rated voltage : 300V 250V
 - Rated current : 12A 25A
 - Contact resistance : 20mΩ(Max)
 - Insulation resistance : 500MΩ/DC500V
 - Withstanding Voltage : AC2000V/1min
 - Wire range : 22-14AWG 2.5mm²

- Mechanical
 - Operating temperature: -40°C ~ +105°C
 - Soldering temperature: 250°C ± 5/Sec
 - Torque : 0.5N.m (4.43Lb.in)
 - Strip length : 4.5-5mm

- RoHS compliance

HOW TO ORDER

KF306 V - 5.0 - XX-1 X-XXXX



Pitch range	Nominal dimension range	PROJECTION	TITLE
>0	>0	6.1/10	KF306V-5.0-XX-1X
6	60	<	SHEET SIZE A4
±0.15	±0.30	±0.10	SERIES KF306
DRAWING TYPE CUSTOMER DRAWING		慈溪市凯峰电子有限公司 CIXI KAIFENG ELECTRONICS CO., LTD	
SCALE	1:1 SHEET 1 OF 1		
DRAWING NO.	W15000192		