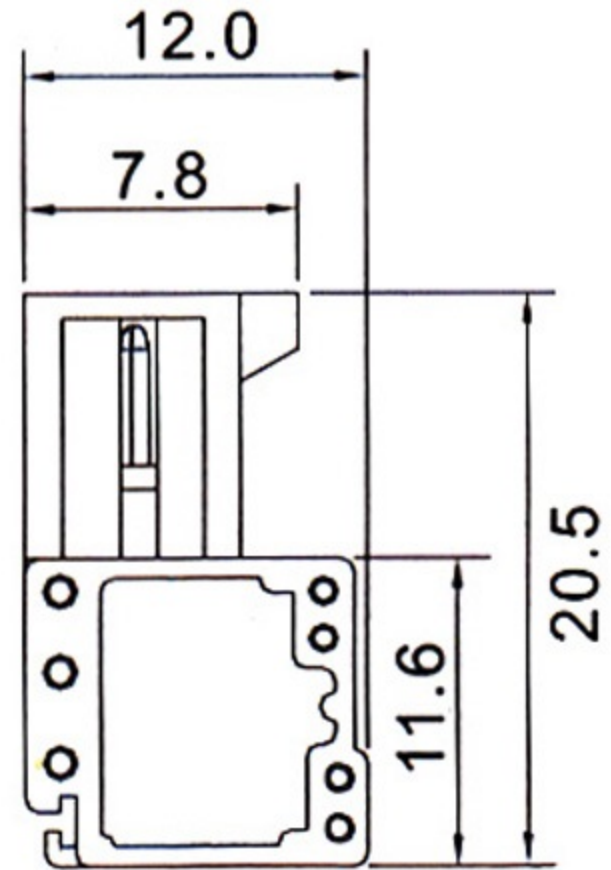
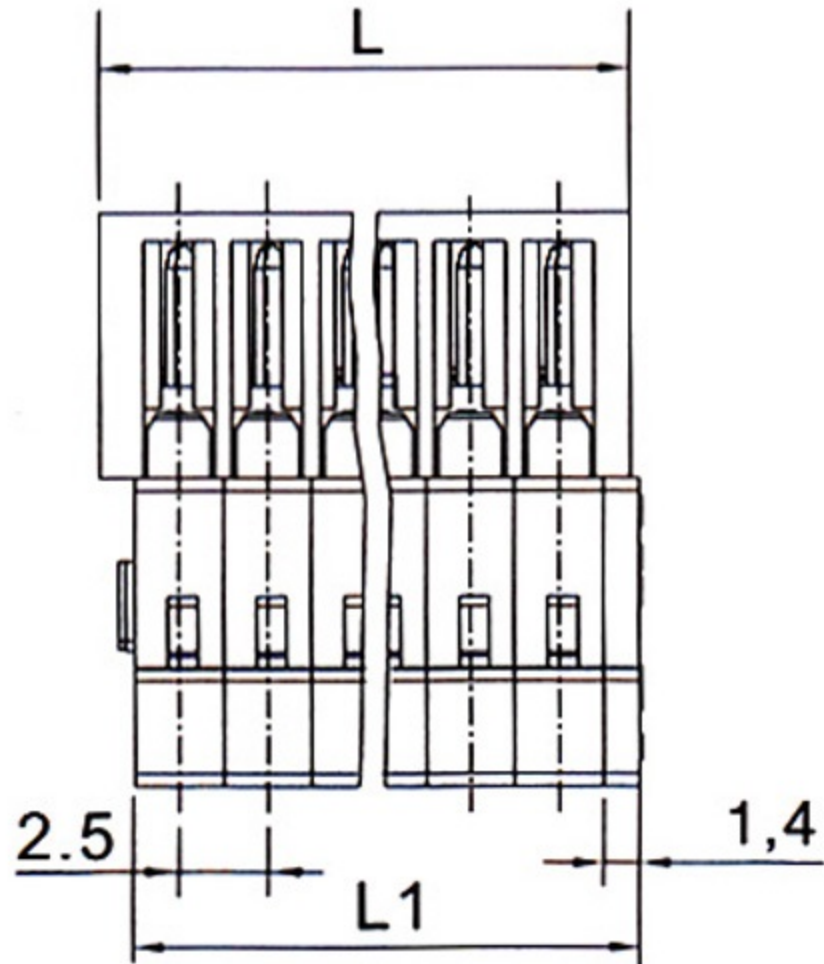


KF425 pin connector



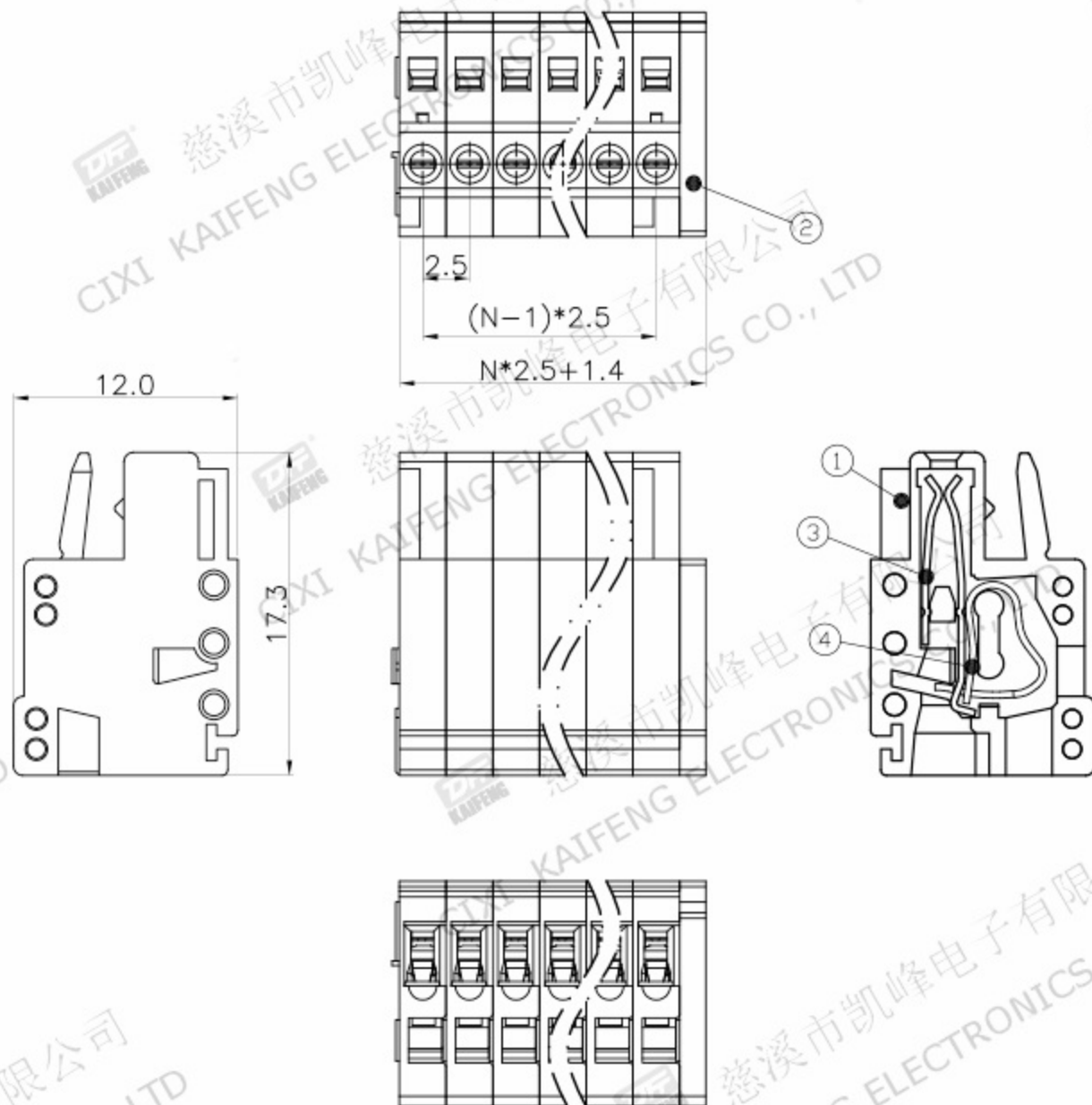
$$L = P \times 2.5 + 2.5 \text{ mm}$$

$$L1 = P \times 2.5 + 1.4 \text{ mm}$$

其中P为产品通道数

KF425-2.5-XXP-1X hole connector

版本	修订内容	日期	绘图	批准
A1	DWG.REL	2020.06.04	邓亚平	金正发



• 材质及电镀

- ① 塑胶主体: PA66, UL94V-0
- ② 塑胶盖板: PA66, UL94V-0
- ③ 夹子: 铜合金, 镀银
- ④ 卡簧: 不锈钢

• 电气性能

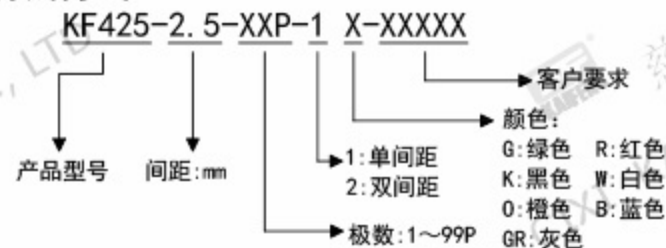
UL	IEC
额定电压: 300V	160V
额定电流: 5A	6A
接触电阻: 20mΩ	
绝缘电阻: 500MΩ\DC500V	
耐电压: AC1500V\1Min	
接线面积: 28-20AWG 0.2-0.5mm ²	

• 机械性能

- 温度范围: -30℃~+105℃
- 瞬时温度: +250℃ 5秒

• 符合RoHS环保要求

订购方式



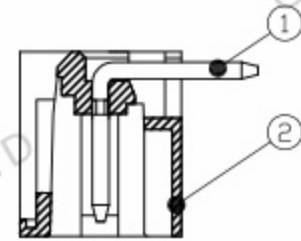
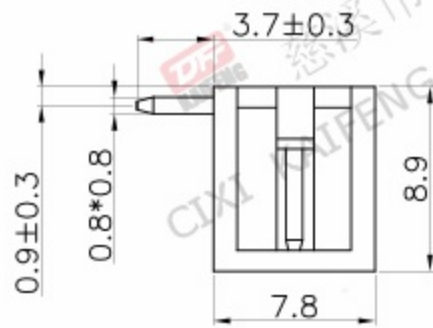
间距尺寸公差	其它未注尺寸公差	投影法	品名
>0 ~ 6	>0 ~ 30	0.1/10	KF425-2.5-XXP-1X
>6 ~ 10	>30 ~ 60	mm	产品系列 KF425
>10 ~ 24	>60 ~ 100	纸张尺寸 A4	
>24 ~ 30	>100 ~ 150		
±0.15 ±0.20 ±0.30	±0.30 ±0.50 ±0.70 ±1.00 ±1.30 ±2'		
图纸类型	客户图纸		
比例	1:1 图页 1/1		
图纸编号	W16000011		



慈溪市凯峰电子有限公司
CIXI KAIFENG ELECTRONICS CO.,LTD

KF425-R-2.5-XXP-1X welding pin socket

REV.	DESCRIPTION	DATE	DRAFTER	APPROVER
A1	DWG.REL	2020.06.04	DENG	JIN



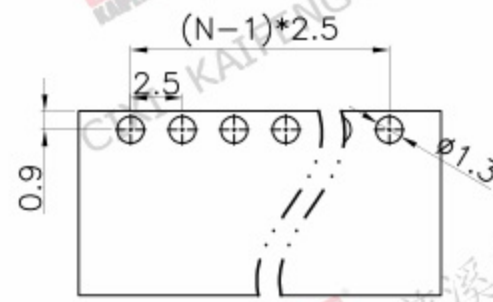
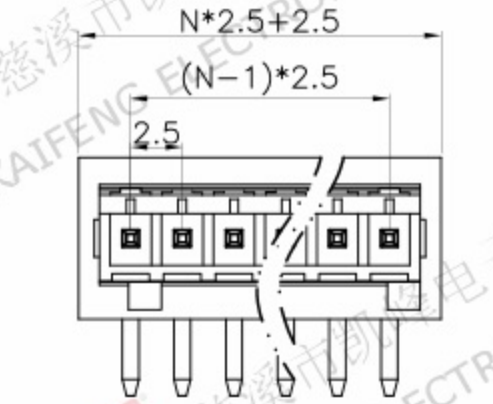
- Material
 - ① Pin header: Copper alloy, Tin plated
 - ② Housing: PA66, UL94V-0

- Electrical

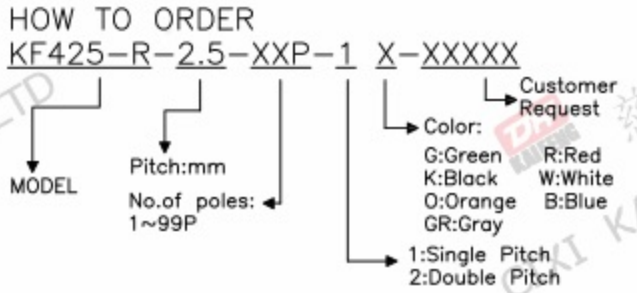
UL	IEC
Rated Voltage: 300V	160V
Rated Current: 5A	6A
Contact Resistance: 20mΩ	
Insulation Resistance: 500MΩ/DC500V	
Withstanding Voltage: AC1500V/1Min	

- Mechanical
 - Temperature Range: -30°C ~ +105°C
 - MAX Soldering: +250°C, (5 Seconds)

• RoHS compliance



P.C.B.LAYOUT

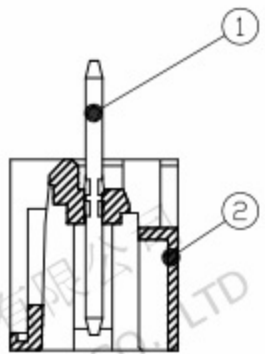
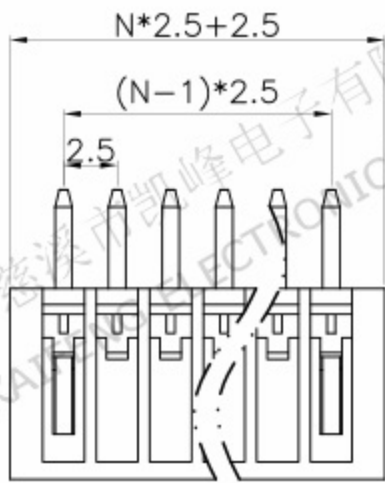
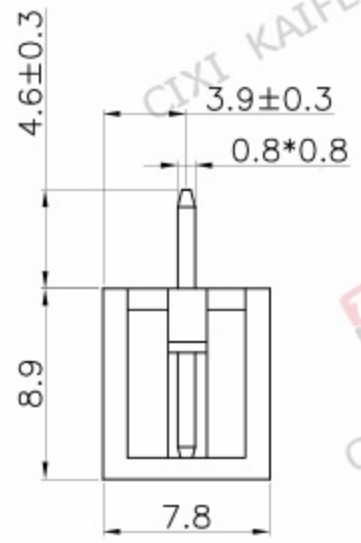


Pitch range	Nominal dimension range							PROJECTION	TITLE
>0	>6	>10	>0	>30	>60	>100	>150	0.1/10	KF425-R-2.5-XXP-1X
~6	~10	~24	~30	~60	~100	~150		<	UNIT mm
±0.15	±0.20	±0.30	±0.30	±0.50	±0.70	±1.00	±1.30	±2'	SHEET SIZE A4
DRAWING TYPE		CUSTOMER DRAWING							
SCALE		1:1		SHEET		1 OF 1			
DRAWING NO.		W16000032							

DF 慈溪市凯峰电子有限公司
CIXI KAIFENG ELECTRONICS CO.,LTD

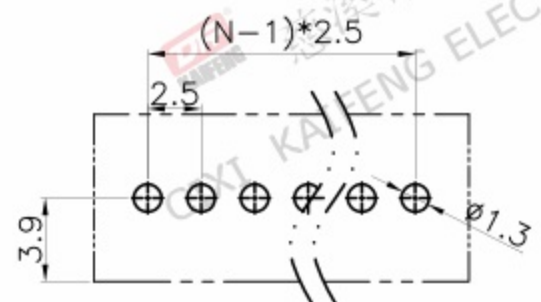
KF425-V-2.5-XXP-1X welding pin socket

REV.	DESCRIPTION	DATE	DRAFTER	APPROVER
A1	DWG.REL	2020.06.04	DENG	JIN



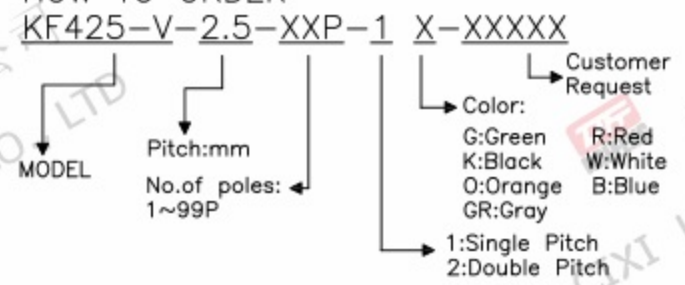
- Material
 - ①Pin header:Copper alloy,Tin plated
 - ②Housing: PA66, UL94V-0
- Electrical

UL	IEC
Rated Voltage: 300V	160V
Rated Current: 5A	6A
Contact Resistance: 20mΩ	
Insulation Resistance: 500MΩ/DC500V	
Withstanding Voltage: AC1500V/1Min	
- Mechanical
 - Temperature Range: -30℃~ +105℃
 - MAX Soldering: +250℃,(5 Seconds)
- RoHS compliance



P.C.B.LAYOUT

HOW TO ORDER



Pitch range	Nominal dimension range	PROJECTION	TITLE
>0 ~ 6	>6 ~ 10	0.1/10	KF425-V-2.5-XXP-1X
>10 ~ 24	>30 ~ 60		UNIT mm
>30 ~ 60	>60 ~ 100		SHEET SIZE A4
>60 ~ 100	>100 ~ 150		SERIES KF425
>100 ~ 150	>150		
±0.15	±0.20		
±0.30	±0.30		
±0.50	±0.70		
±1.00	±1.30		
±2'			
DRAWING TYPE	CUSTOMER DRAWING		
SCALE	1:1	SHEET	1 OF 1
DRAWING NO.	W16000022		

DF 慈溪市凯峰电子有限公司
 CIXI KAIFENG ELECTRONICS CO.,LTD