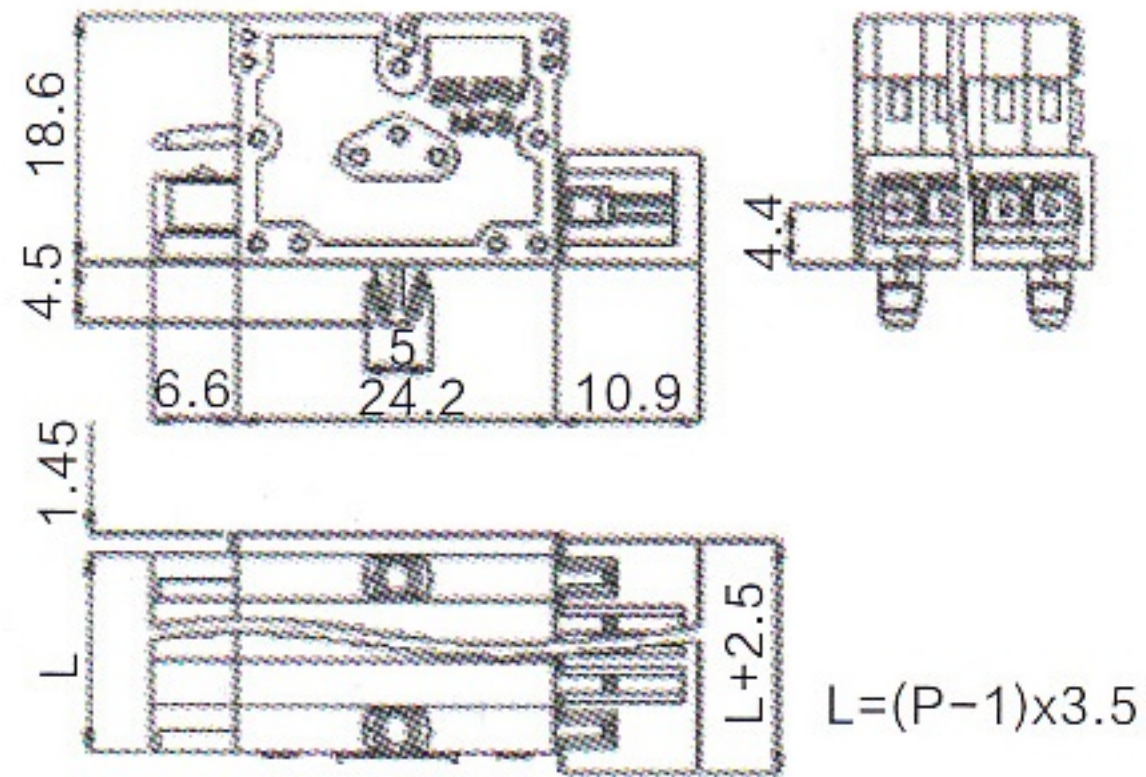
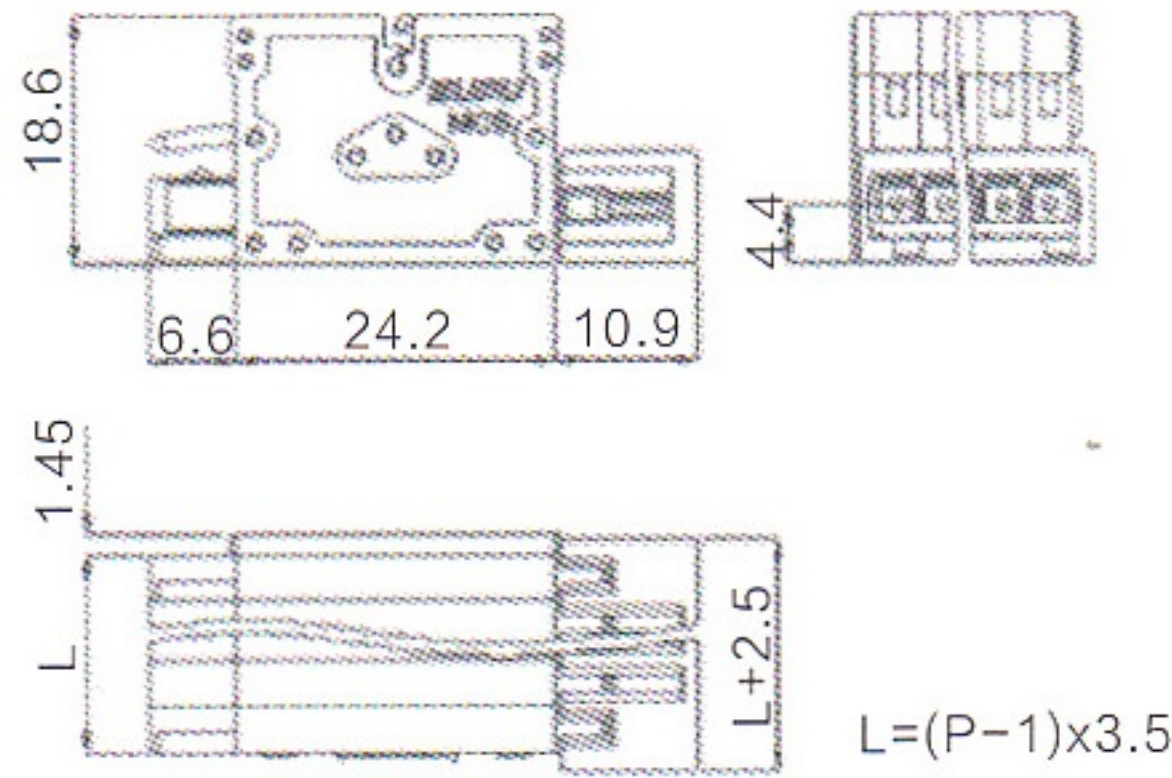


KF435 pin connector with pin

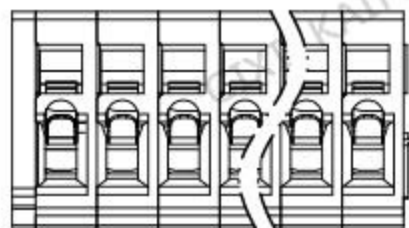
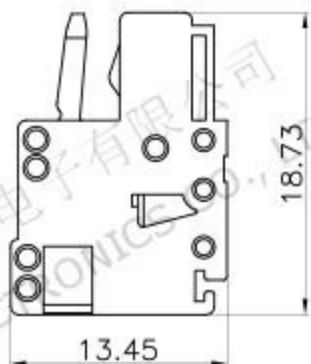
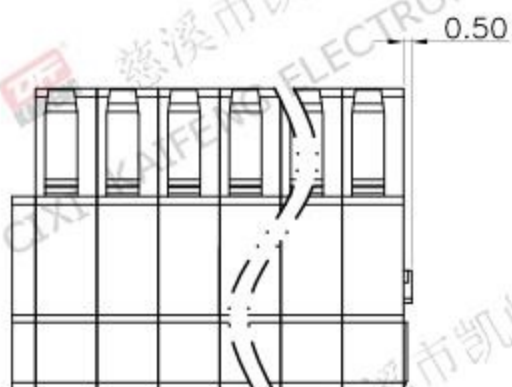
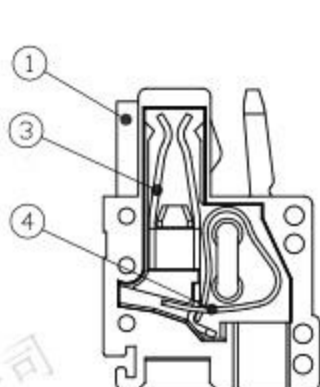
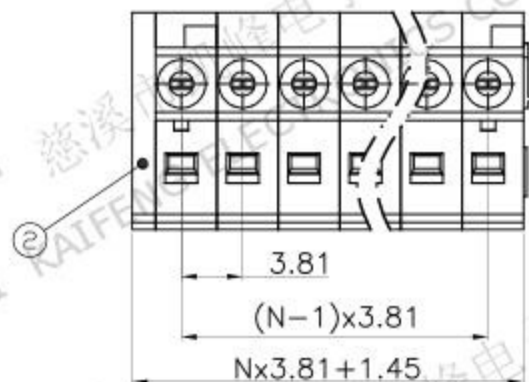


KF435 pin connector



KF435-438 hole connector

REV.	DESCRIPTION	DATE	DRAFTER	APPROVER
A1	DWG.REL	2020.06.08	DENG	JIN



• Material

- ①Housing: PA66, UL94V-0
- ②Plastic cover: PA66, UL94V-0
- ③Clip: Copper alloy, Tin plated
- ④Reed:Stainless steel

• Electrical

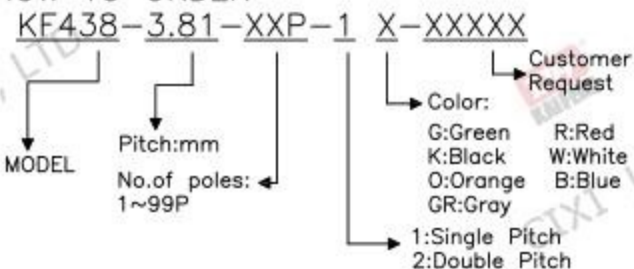
	UL	IEC
Rated Voltage:	300V	160V
Rated Current:	10A	10A
Contact Resistance:	20mΩ	
Insulation Resistance:	500MΩ/DC500V	
Withstanding Voltage:	AC1500V/1Min	
Wire range:	28-16AWG 0.2-1.5mm ²	

• Mechanical

Temperature Range: -30℃~+105℃
MAX Soldering: +250℃,(5 Seconds)

• RoHS compliance

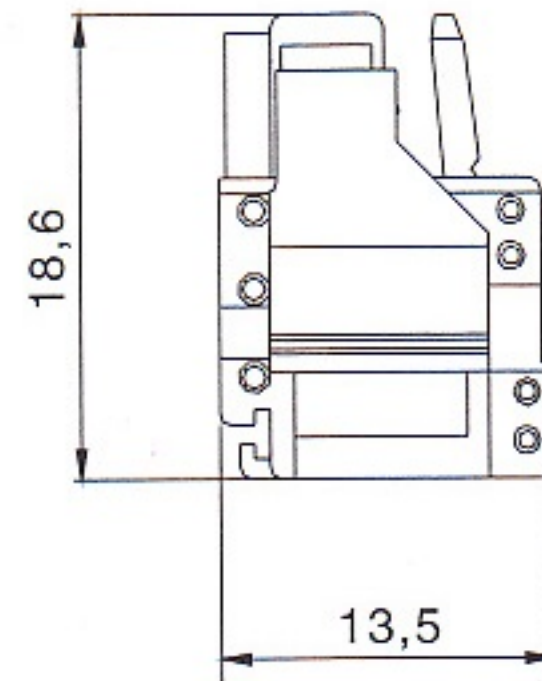
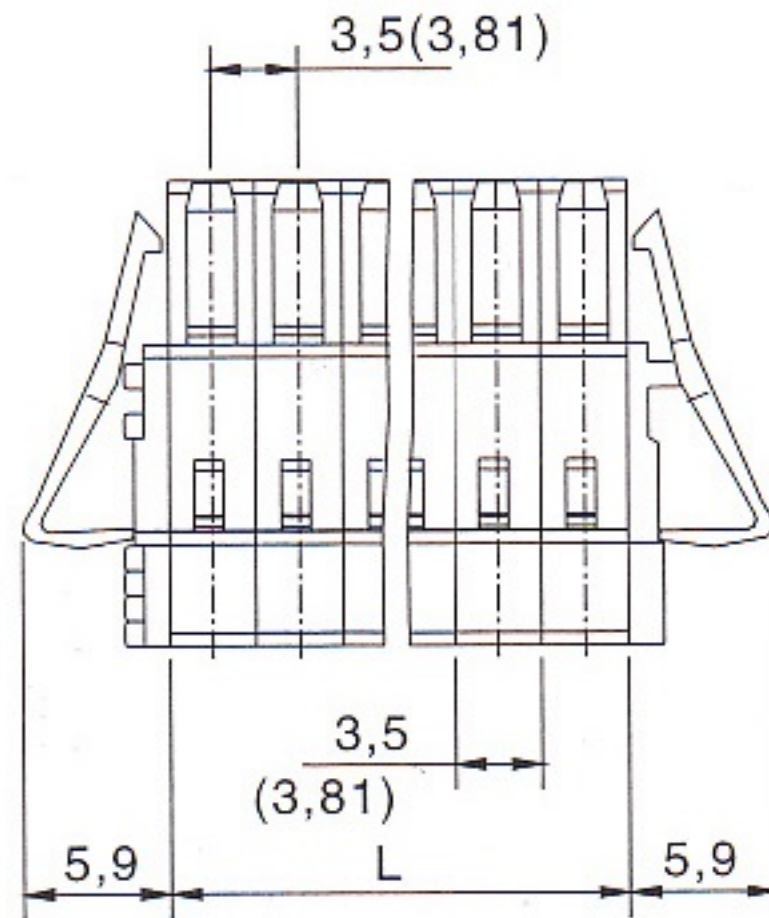
HOW TO ORDER



Pitch range	Nominal dimension range							PROJECTION	UNIT	TITLE
>0 ~ 6	>6 ~ 10	>10 ~ 24	>0 ~ 30	>30 ~ 60	>60 ~ 100	>100 ~ 150	>150	0.1/10	mm	KF438-3.81-XXP-1X
±0.15	±0.20	±0.30	±0.30	±0.50	±0.70	±1.00	±1.30	±2'	A4	SERIES KF438
DRAWING TYPE		CUSTOMER DRAWING								
SCALE		1:1		SHEET		1 OF 1				
DRAWING NO.		W16000042								

DF 慈溪市凯峰电子有限公司
CIXI KAIFENG ELECTRONICS CO.,LTD

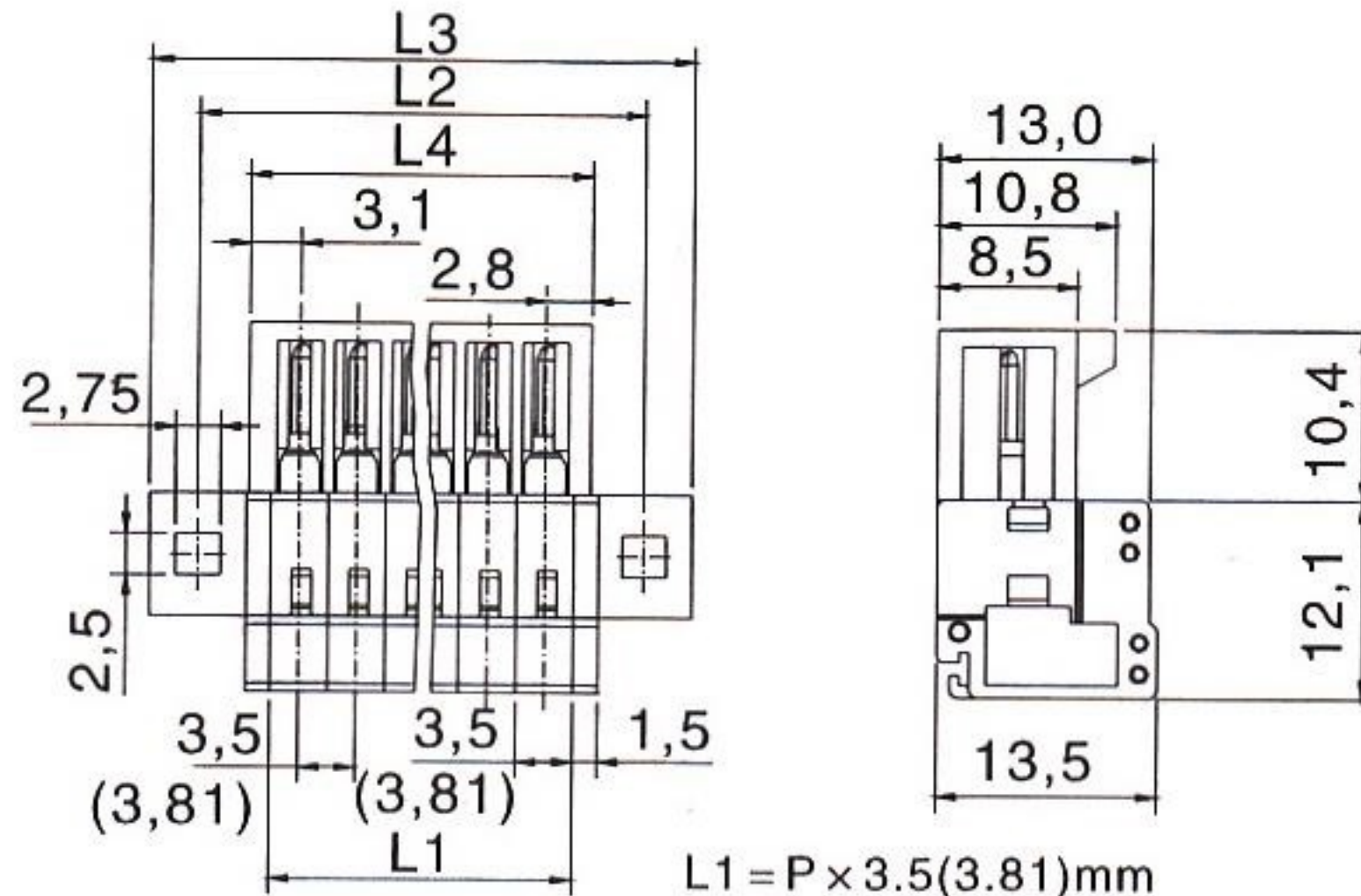
KF435-438-3.5-XXP-1X hole connector with clamping mechanism



$$L = P \times 3.5(3.81) \text{ mm}$$

注：P为通道数

KF435-438-3.5-XXP-1X hole connector with holder



$$L1 = P \times 3.5(3.81) \text{ mm}$$

$$L2 = L1 + 8.8 \text{ mm}$$

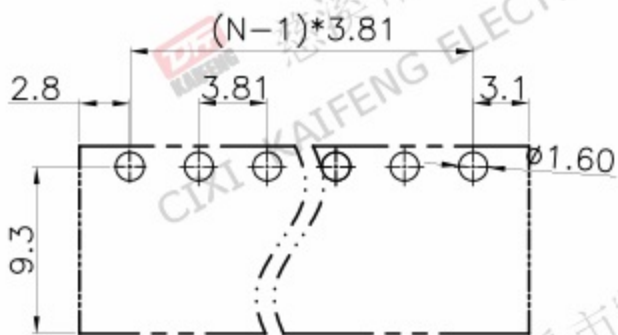
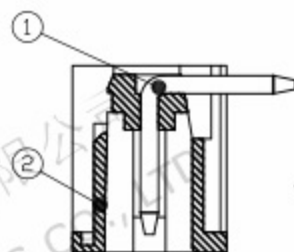
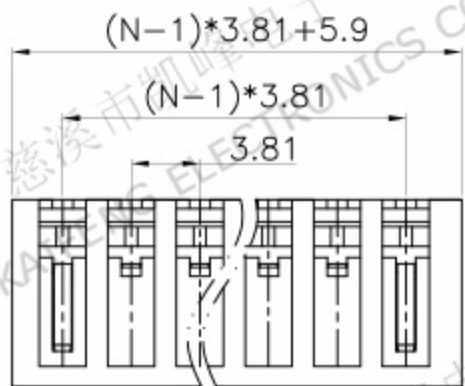
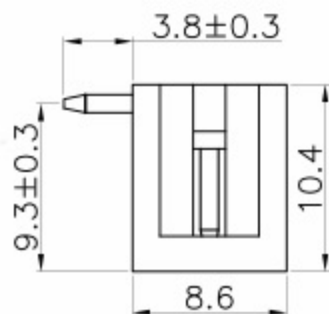
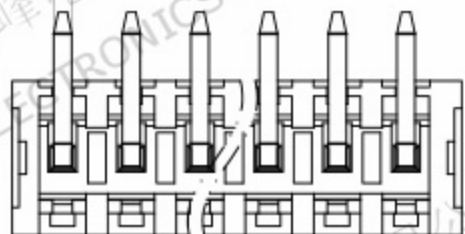
$$L3 = L1 + 14.8 \text{ mm}$$

$$L4 = (P - 1) \times 3.5(3.81) + 5.9 \text{ mm}$$

KF435-RKF438-R welding pin socket

REV.	DESCRIPTION	DATE	DRAFTER	APPROVER
A1	DWG.REL	2020.06.08	DENG	JIN

1.0*1.0



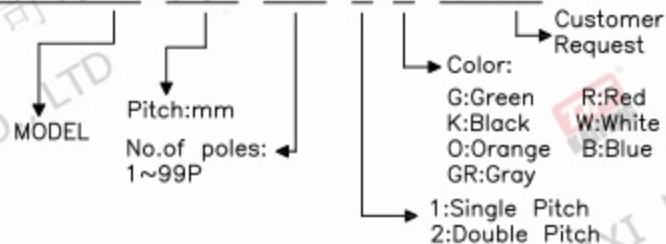
P.C.B.LAYOUT

- Material
 - ①Pin header:Copper alloy,Tin plated
 - ②Housing: PA66, UL94V-0
- Electrical

UL	IEC
Rated Voltage: 300V	160V
Rated Current: 10A	10A
Contact Resistance: 20mΩ	
Insulation Resistance: 500MΩ/DC500V	
Withstanding Voltage: AC1500V/1Min	
- Mechanical
 - Temperature Range: -30℃~ +105℃
 - MAX Soldering: +250℃,(5 Seconds)
- RoHS compliance

HOW TO ORDER

KF438-R-3.81-XXP-1 X-XXXX



Pitch range	Nominal dimension range							PROJECTION	TITLE
>0 ~ 6	>6 ~ 10	>10 ~ 24	>0 ~ 30	>30 ~ 60	>60 ~ 100	>100 ~ 150	>150	0.1/10	KF438-R-3.81-XXP-1X
±0.15	±0.20	±0.30	±0.30	±0.50	±0.70	±1.00	±1.30	±2'	UNIT mm
DRAWING TYPE		CUSTOMER DRAWING							
SCALE		1:1		SHEET		1 OF 1			
DRAWING NO.		W16000062							

DF 慈溪市凯峰电子有限公司
CIXI KAIFENG ELECTRONICS CO.,LTD

KF435-V/KF438-V socket welding needle

