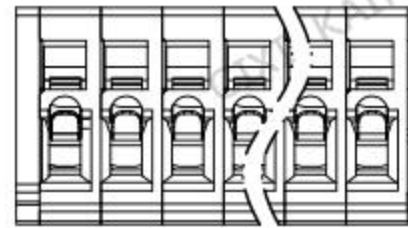
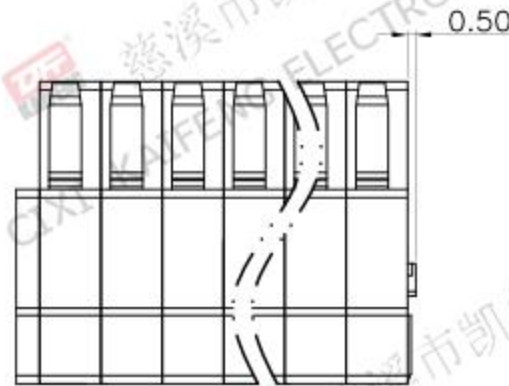
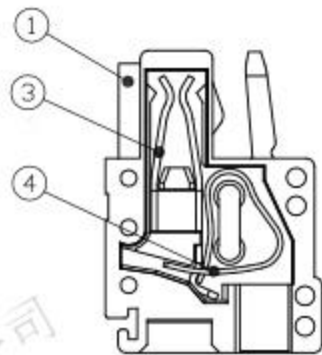
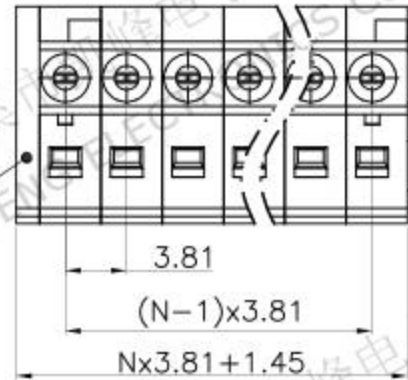


REV.	DESCRIPTION	DATE	DRAFTER	APPROVER
A1	DWG.REL	2020.06.08	DENG	JIN



• Material

- ①Housing: PA66, UL94V-0
- ②Plastic cover: PA66, UL94V-0
- ③Clip: Copper alloy, Tin plated
- ④Reed:Stainless steel

• Electrical

	UL	IEC
Rated Voltage:	300V	160V
Rated Current:	10A	10A
Contact Resistance:	20mΩ	
Insulation Resistance:	500MΩ/DC500V	
Withstanding Voltage:	AC1500V/1Min	
Wire range:	28-16AWG 0.2-1.5mm ²	

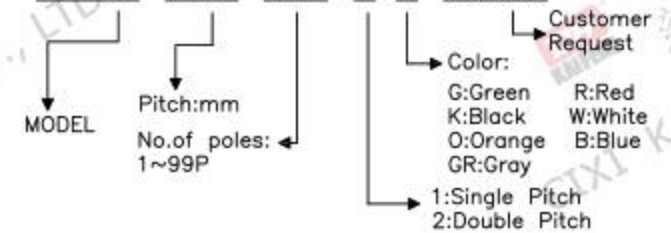
• Mechanical

Temperature Range: -30℃~+105℃
MAX Soldering: +250℃,(5 Seconds)

• RoHS compliance

HOW TO ORDER

KF438-3.81-XXP-1 X-XXXX



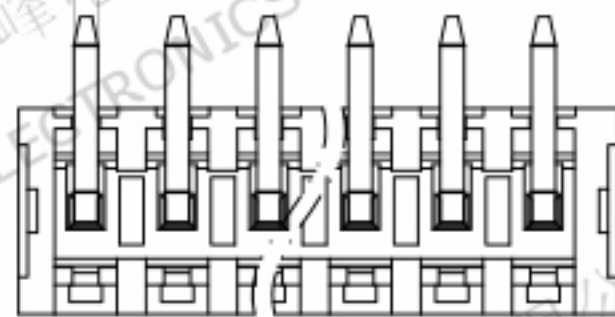
Pitch range	Nominal dimension range							PROJECTION	TITLE
>0 ~ 6	>6 ~ 10	>10 ~ 24	>0 ~ 30	>30 ~ 60	>60 ~ 100	>100 ~ 150	>150	0.1/10	KF438-3.81-XXP-1X
±0.15	±0.20	±0.30	±0.30	±0.50	±0.70	±1.00	±1.30	±2'	SHEET SIZE A4
DRAWING TYPE		CUSTOMER DRAWING							
SCALE		1:1		SHEET		1 OF 1			
DRAWING NO.		W16000042							



慈溪市凯峰电子有限公司
CIXI KAIFENG ELECTRONICS CO.,LTD

REV.	DESCRIPTION	DATE	DRAFTER	APPROVER
A1	DWG.REL	2020.06.08	DENG	JIN

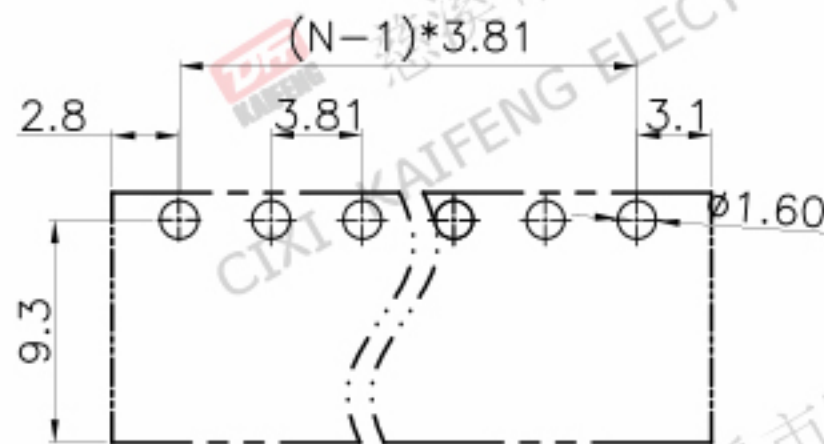
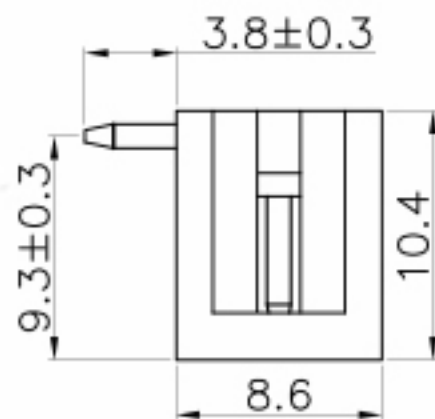
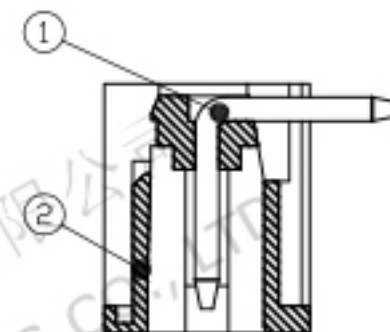
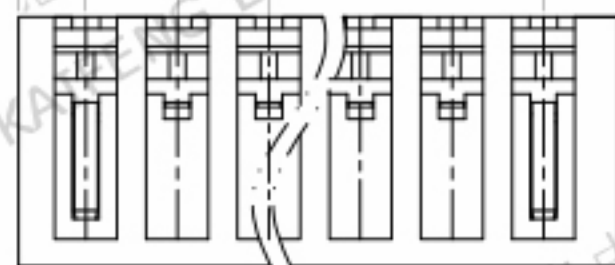
1.0*1.0



$(N-1)*3.81+5.9$

$(N-1)*3.81$

3.81



P.C.B.LAYOUT

• Material

- ①Pin header: Copper alloy, Tin plated
- ②Housing: PA66, UL94V-0

• Electrical

- | | |
|-------------------------------------|------|
| UL | IEC |
| Rated Voltage: 300V | 160V |
| Rated Current: 10A | 10A |
| Contact Resistance: 20mΩ | |
| Insulation Resistance: 500MΩ/DC500V | |
| Withstanding Voltage: AC1500V/1Min | |

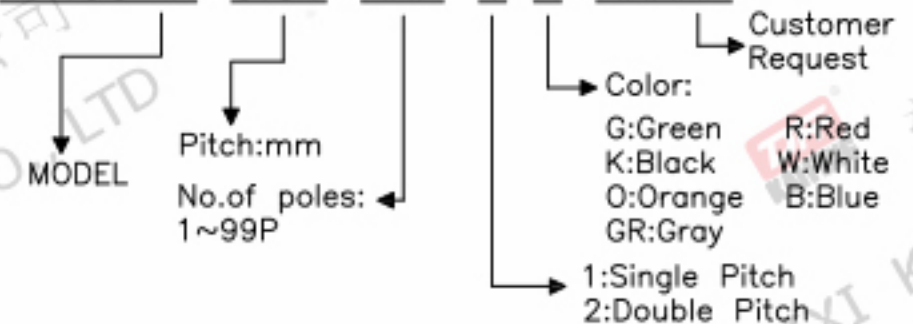
• Mechanical

- Temperature Range: $-30^{\circ}\text{C} \sim +105^{\circ}\text{C}$
- MAX Soldering: $+250^{\circ}\text{C}$, (5 Seconds)

• RoHS compliance

HOW TO ORDER

KF438-R-3.81-XXP-1 X-XXXXX



Pitch range	Nominal dimension range							PROJECTION	TITLE
>0	>6	>10	>0	>30	>60	>100	>150	UNIT	KF438-R-3.81-XXP-1X
~6	~10	~24	~30	~60	~100	~150	>150	SHEET SIZE	A4
±0.15	±0.20	±0.30	±0.30	±0.50	±0.70	±1.00	±1.30	SERIES	KF438
DRAWING TYPE		CUSTOMER DRAWING							
SCALE		1:1		SHEET		1 OF 1			
DRAWING NO.		W16000062							



慈溪市凯峰电子有限公司
CIXI KAIFENG ELECTRONICS CO.,LTD