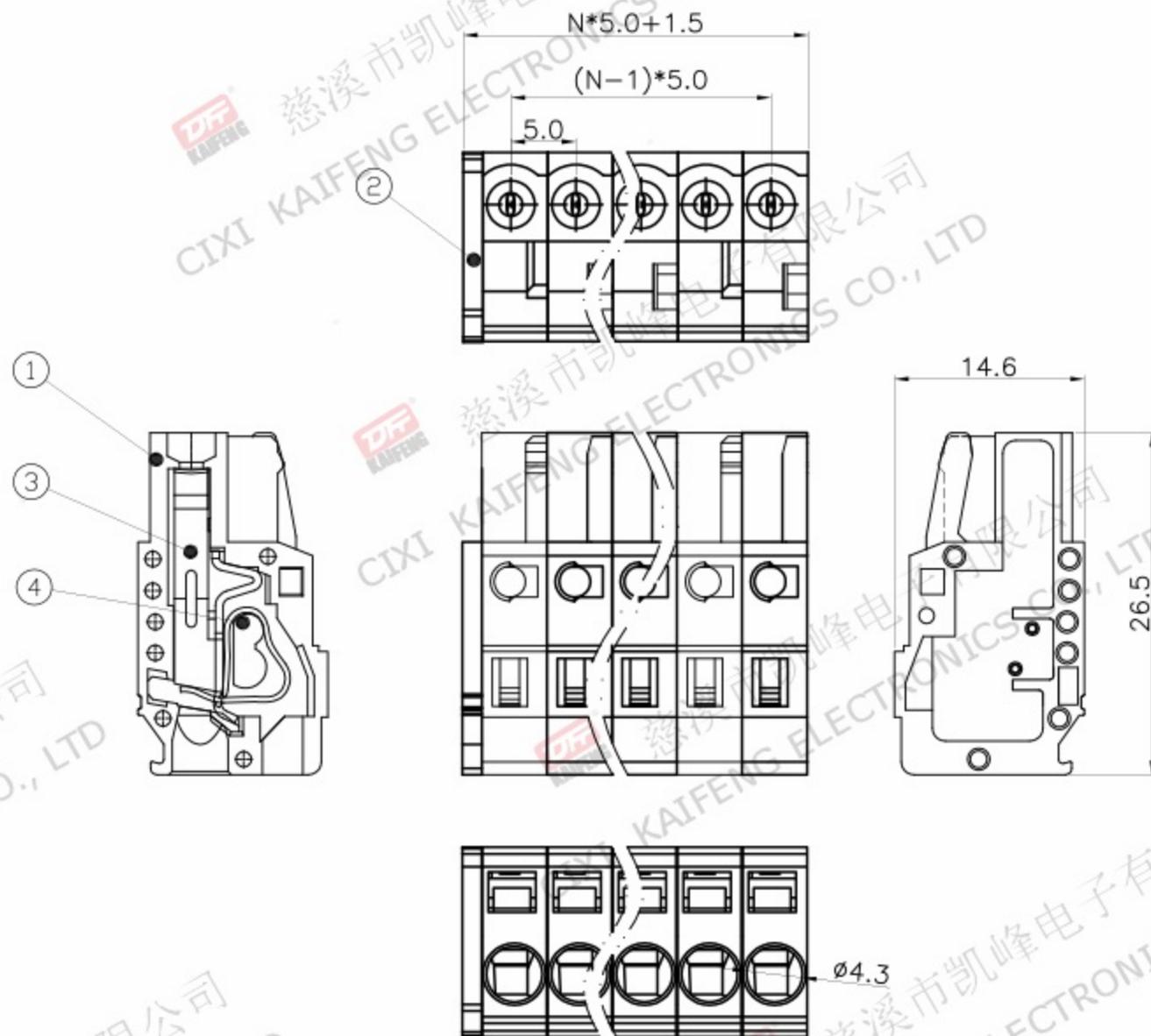


KF450-5.0-XXP-1X hole connector

REV.	DESCRIPTION	DATE	DRAFTER	APPROVER
A1	DWG.REL	2020.06.10	DENG	JIN



• Material

- ①Housing: PA66, UL94V-0
- ②Plastic cover: PA66, UL94V-0
- ③Clip: Copper alloy, Silver plating.
- ④Reed:Stainless steel

• Electrical

UL	IEC
Rated Voltage: 300V	400V
Rated Current: 15A	16A
Contact Resistance: 20mΩ	
Insulation Resistance: 500MΩ/DC500V	
Withstanding Voltage: AC1500V/1Min	
Wire range: 28-12AWG	0.2-2.5mm <sup>2</sup>

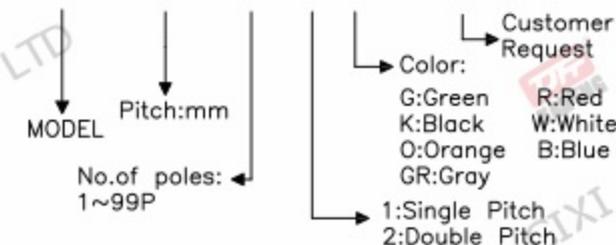
• Mechanical

- Temperature Range: -30°C~+105°C
- MAX Soldering: +250°C,(5 Seconds)

• RoHS compliance

HOW TO ORDER

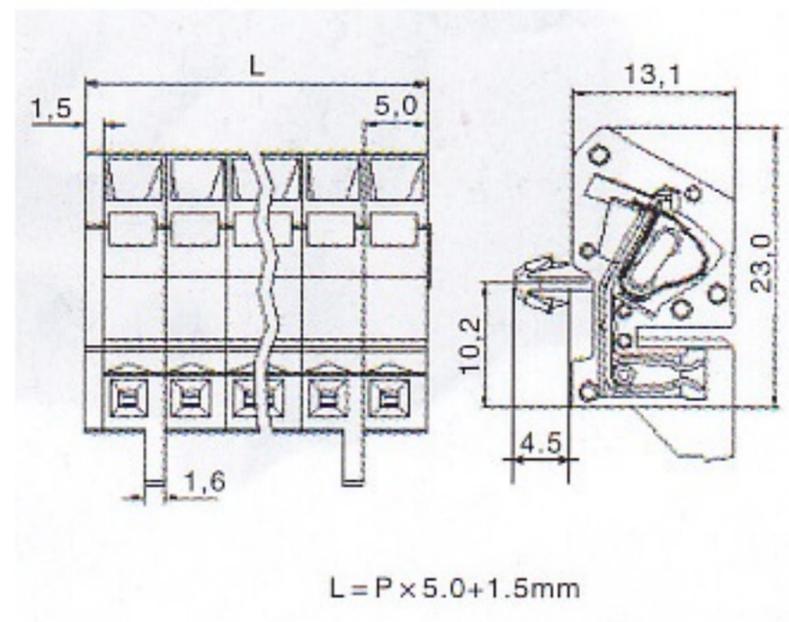
KF450-5.0-XXP-1 X-XXXXX



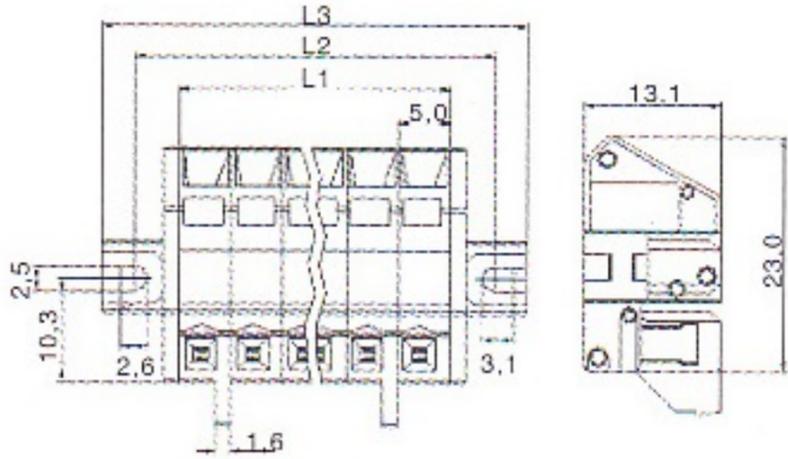
Pitch range	Nominal dimension range	PROJECTION	TITLE
>0 ~6	>0 ~30	0.1/10	KF450-5.0-XXP-1X
>6 ~10	>30 ~60		UNIT mm
>10 ~24	>60 ~100		SHEET SIZE A4
>24 ~30	>100 ~150		SERIES KF450
>30 ~30	>150 ~150		
±0.15	±0.20	±0.30	±0.30
±0.30	±0.50	±0.70	±1.00
±1.00	±1.30	±2'	
DRAWING TYPE		CUSTOMER DRAWING	
SCALE		1:1 SHEET 1 OF 1	
DRAWING NO.		W16000072	

**DF** 慈溪市凯峰电子有限公司  
CIXI KAIFENG ELECTRONICS CO.,LTD

KF450-5.0-XXP-1X hole elbow connector white belt pin

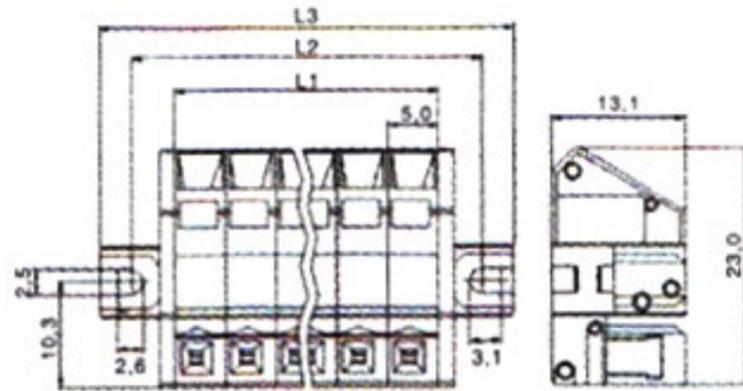


KF450-5.0-XXP-1X hole elbow connector white tape holder



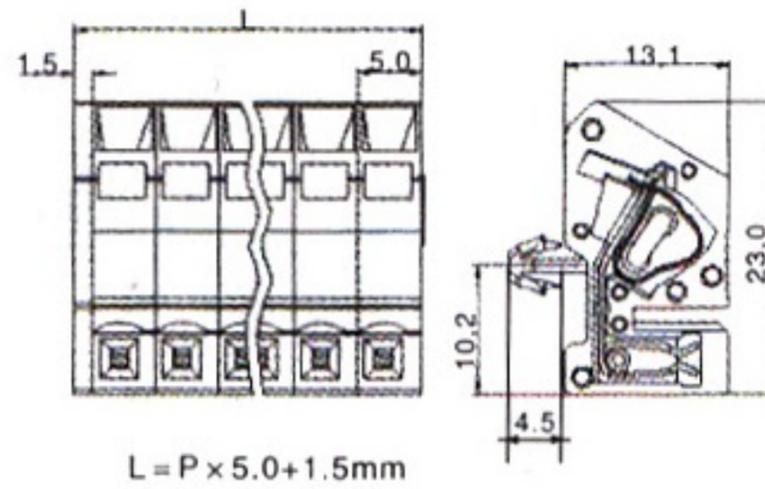
L1 = P × 5.0mm  
L2 = P × 5.0 + 8.8mm  
L3 = P × 5.0 + 14.8mm

KF450-5.0-XXP-1X hole elbow connector with fixer

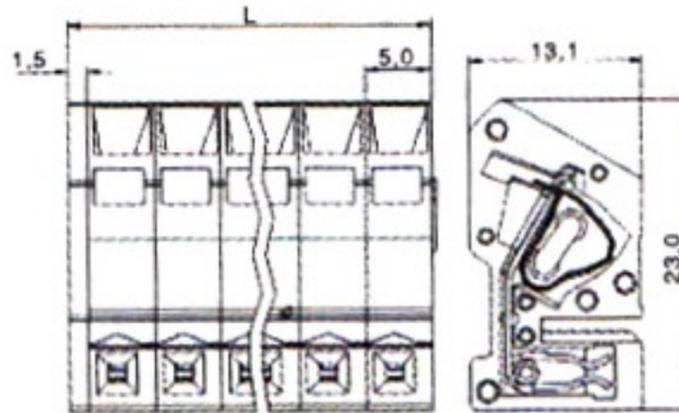


$L1 = P \times 5.0\text{mm}$   
 $L2 = P \times 5.0 + 8.8\text{mm}$   
 $L3 = P \times 5.0 + 14.8\text{mm}$

KF450-5.0-XXP-1X hole elbow connector with pin

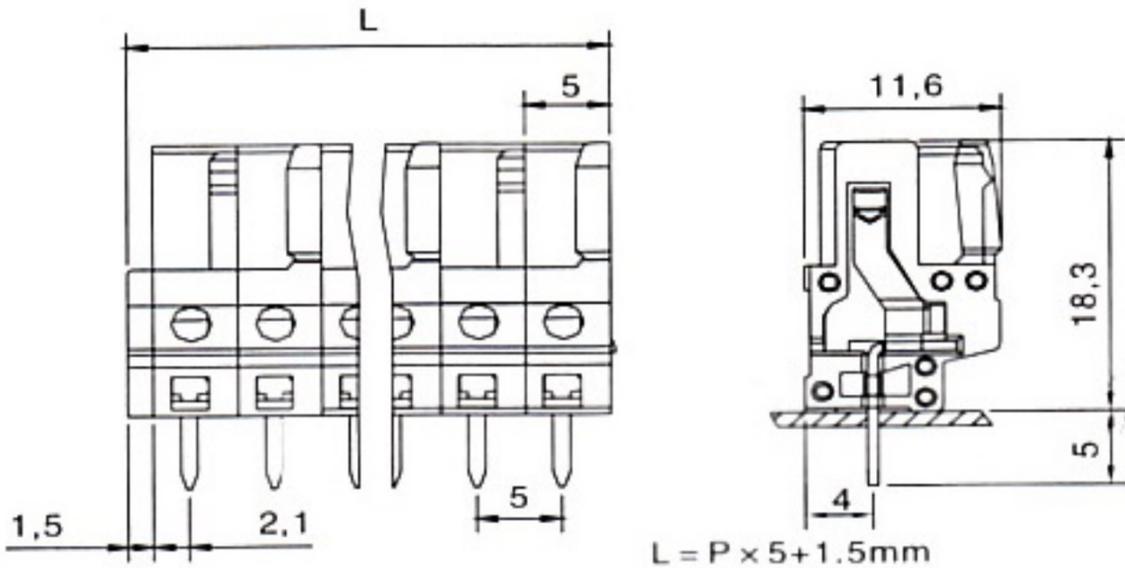


KF450-5.0-XXP-1X hole elbow connector



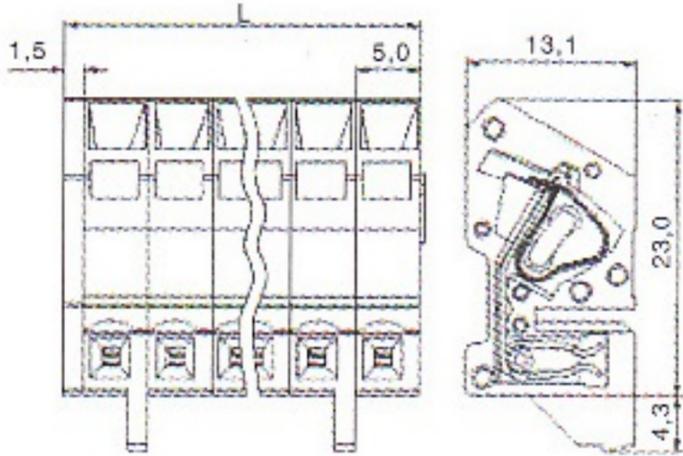
$$L = P \times 5.0 + 1.5 \text{ mm}$$

KF450-5.0-XXP-1X hole plug in



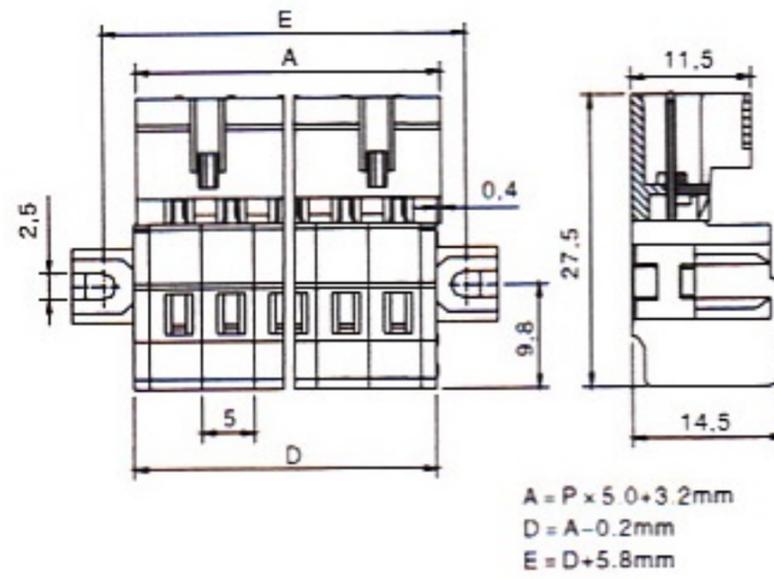
注：插拔方向垂直于PCB板表面

KF450-5.0-XXP-1X hole type connector connector white

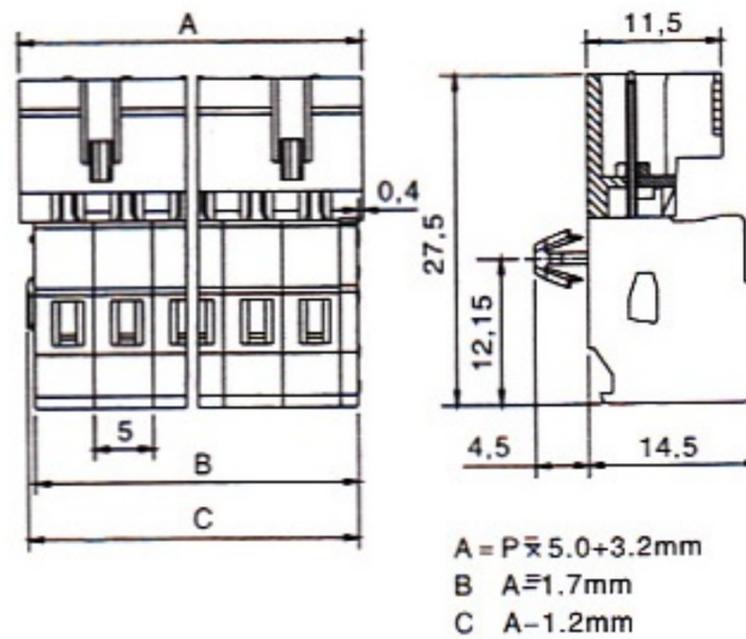


$$L = P \times 5.0 + 1.5 \text{mm}$$

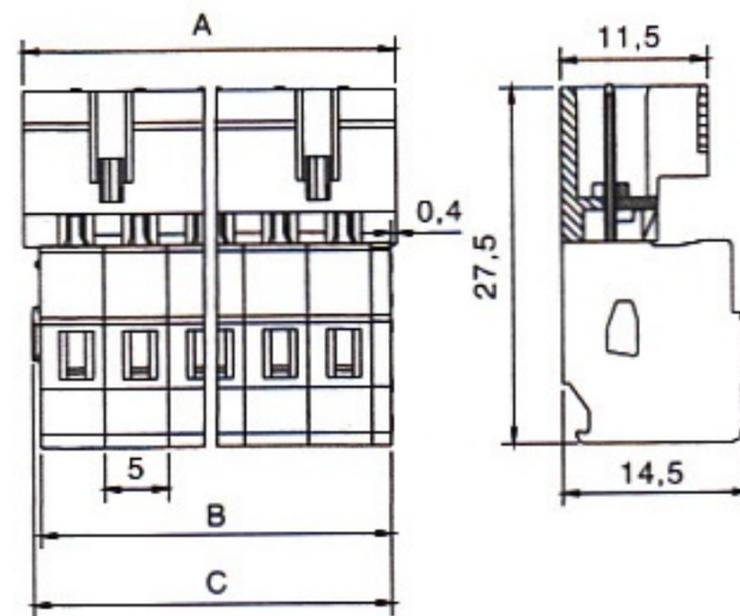
KF450-5.0-XXP-1X pin connector with holder



KF450-5.0-XXP-1X pin connector with pin

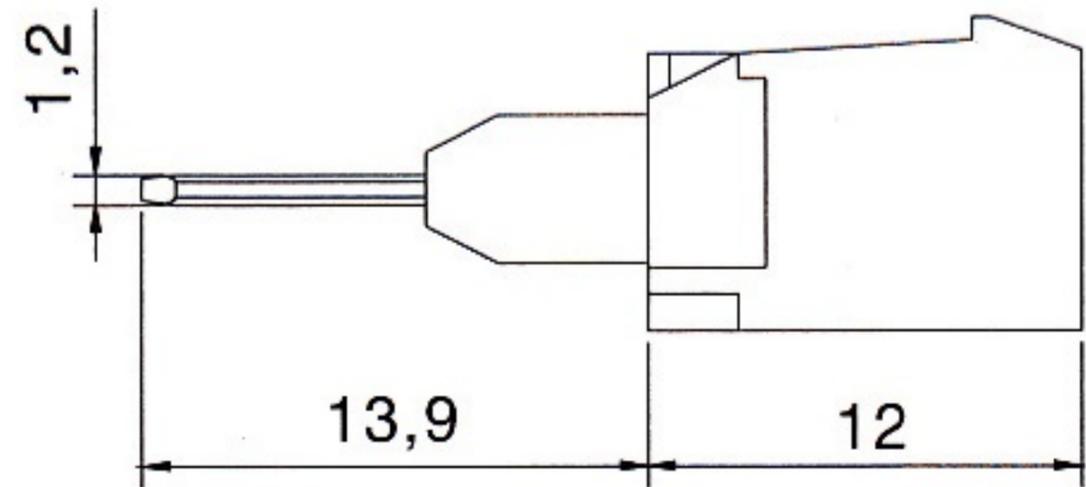
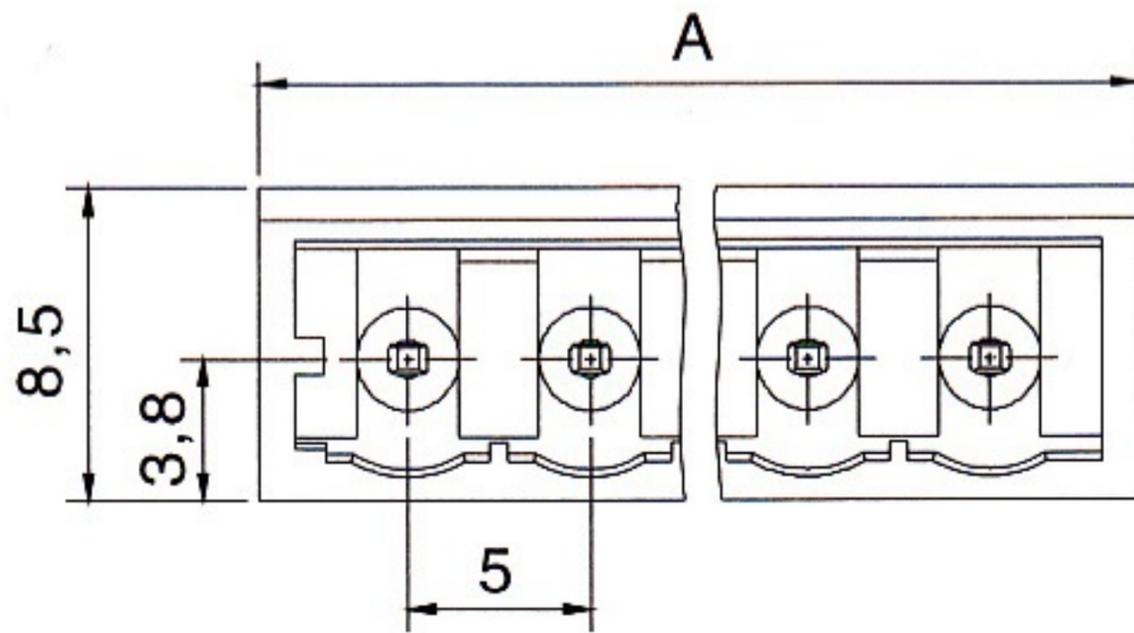


KF450-5.0-XXP-1X pin connector

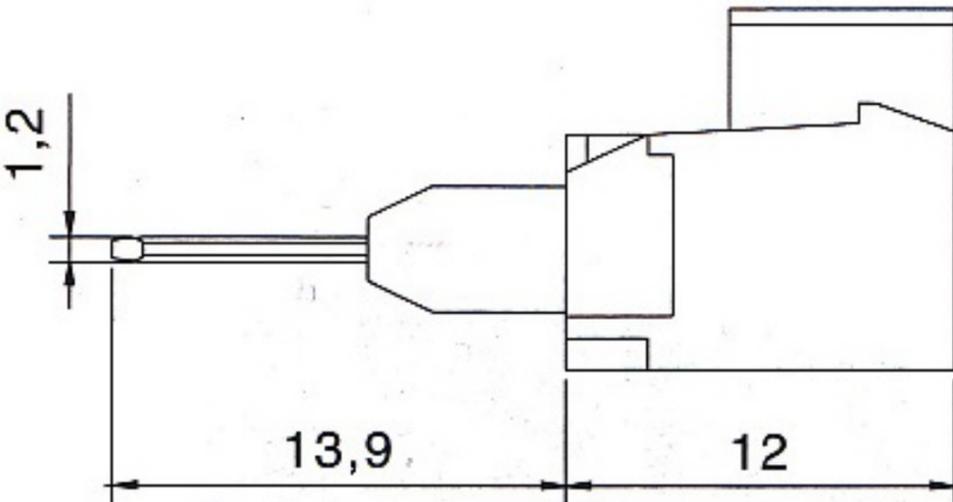
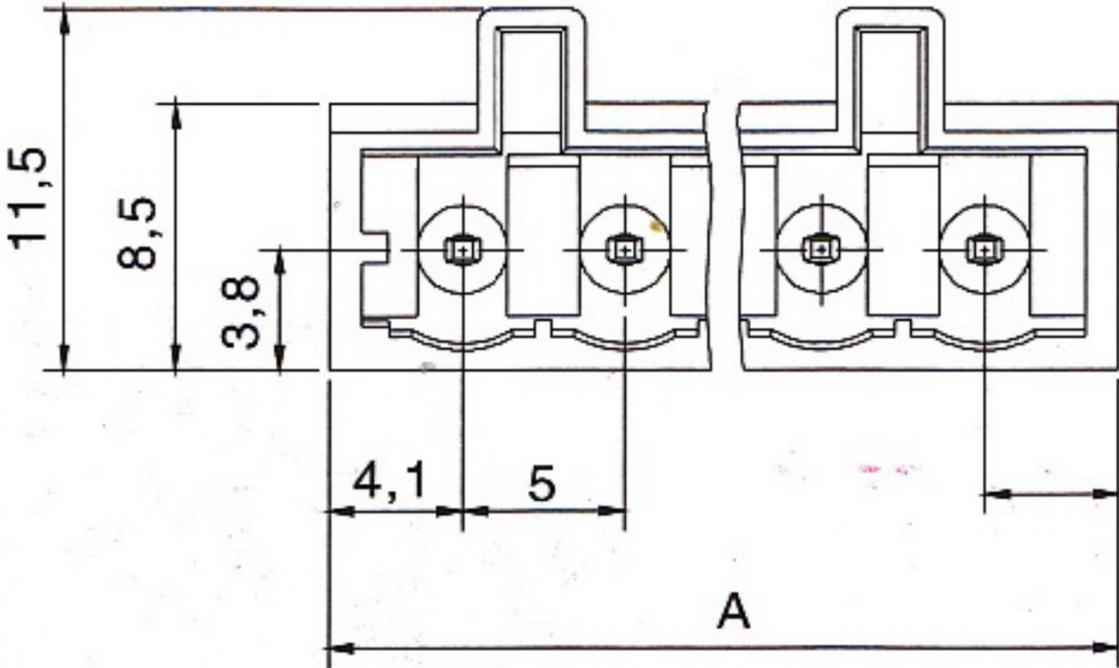


$$\begin{aligned} A &= P \times 5.0 + 3.2 \text{ mm} \\ B &= A - 1.7 \text{ mm} \\ C &= A - 1.2 \text{ mm} \end{aligned}$$

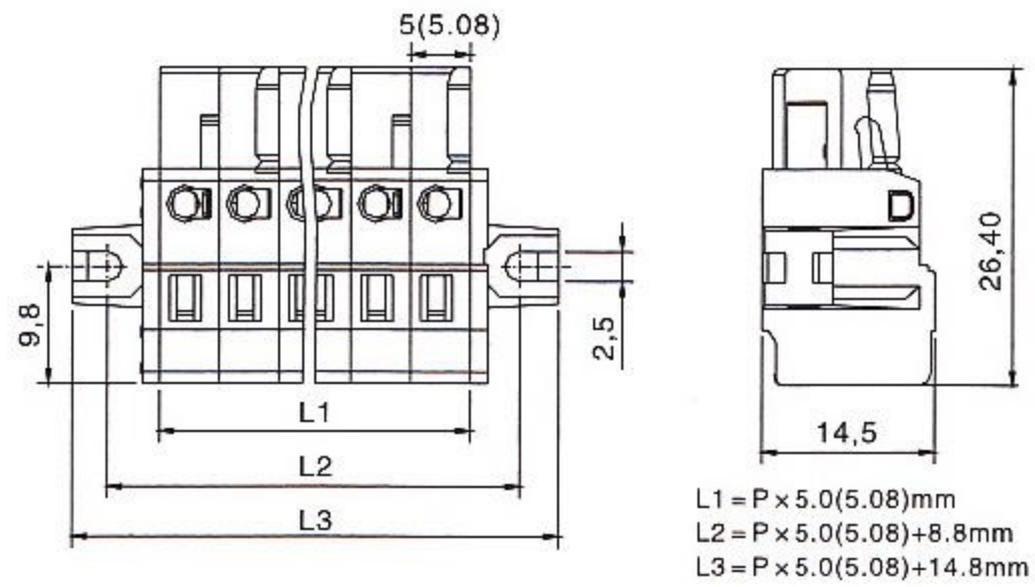
KF450-5.0-XXP-1X straight long pin socket gray



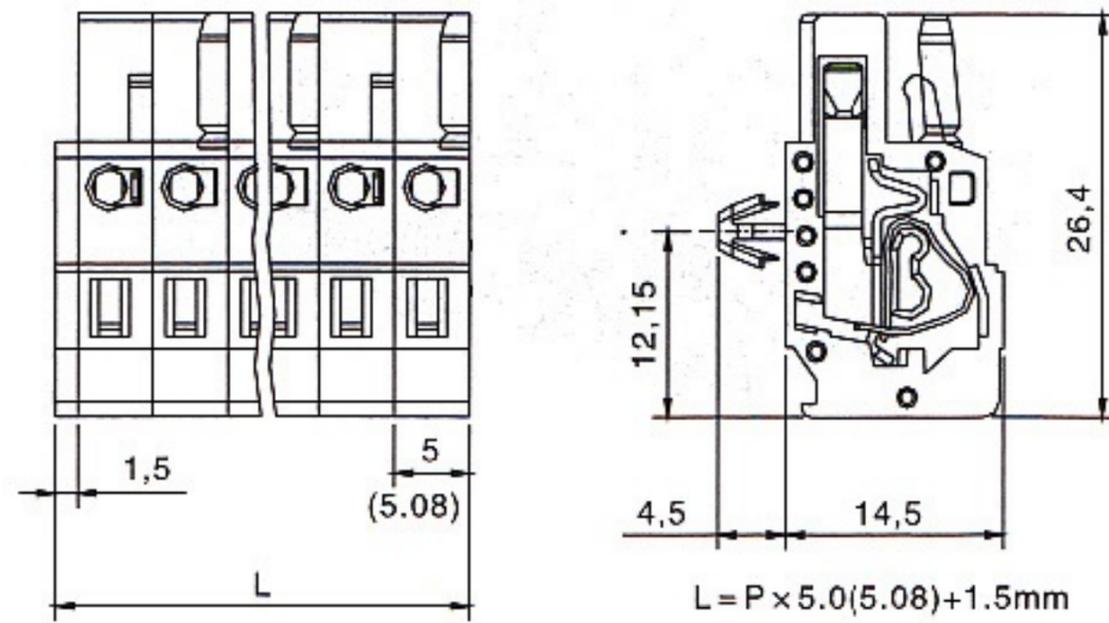
KF450-5.0-XXP-1X straight pin socket



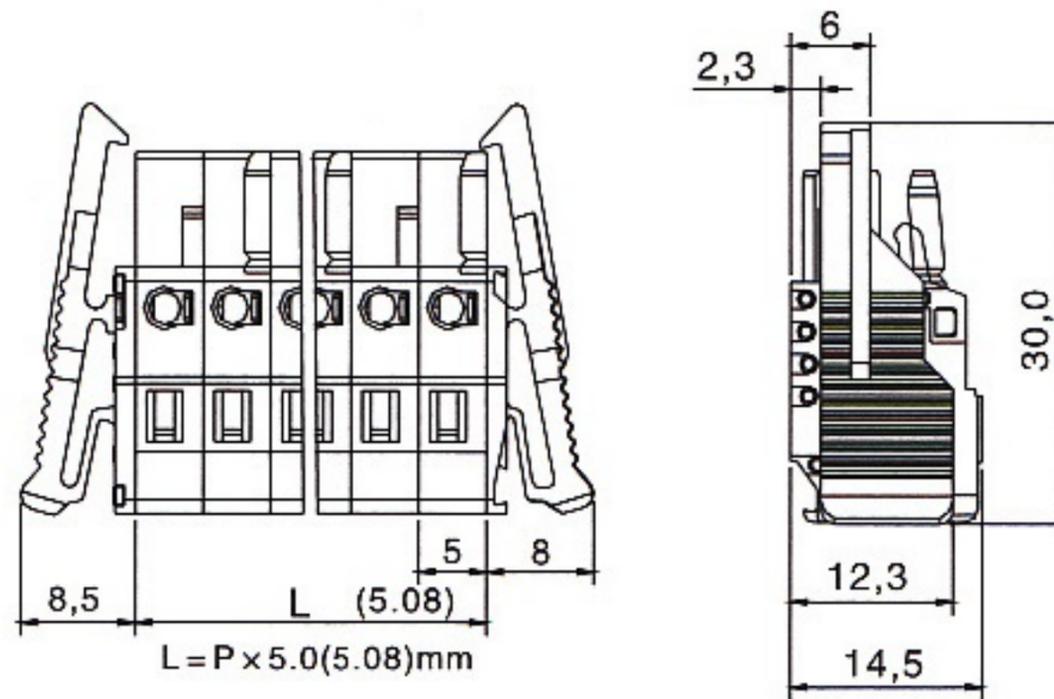
KF450-458-5.0-XXP-1X hole connector with holder



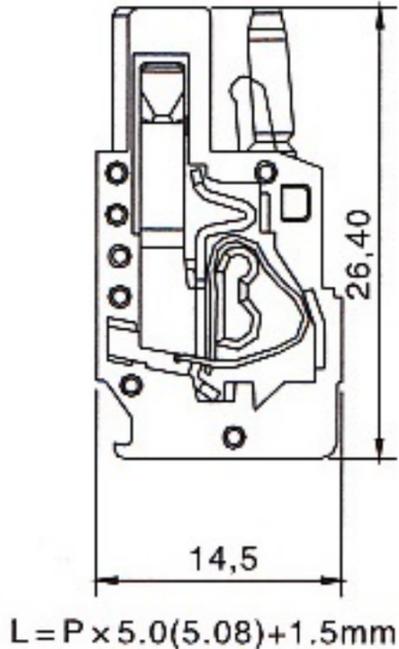
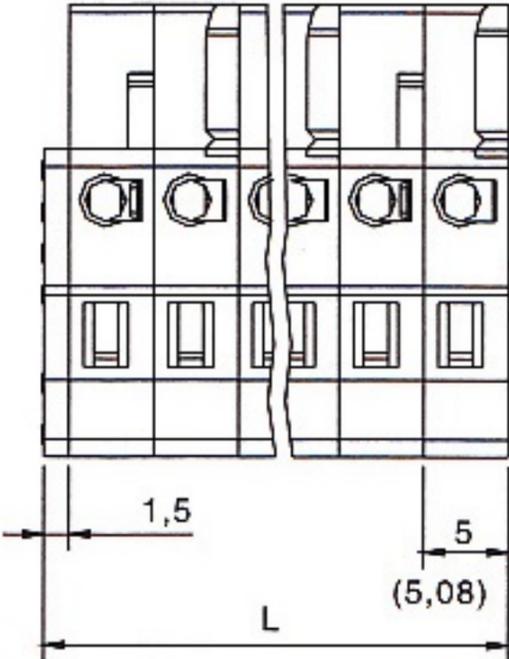
KF450-458-5.0-XXP-1X hole connector with pin



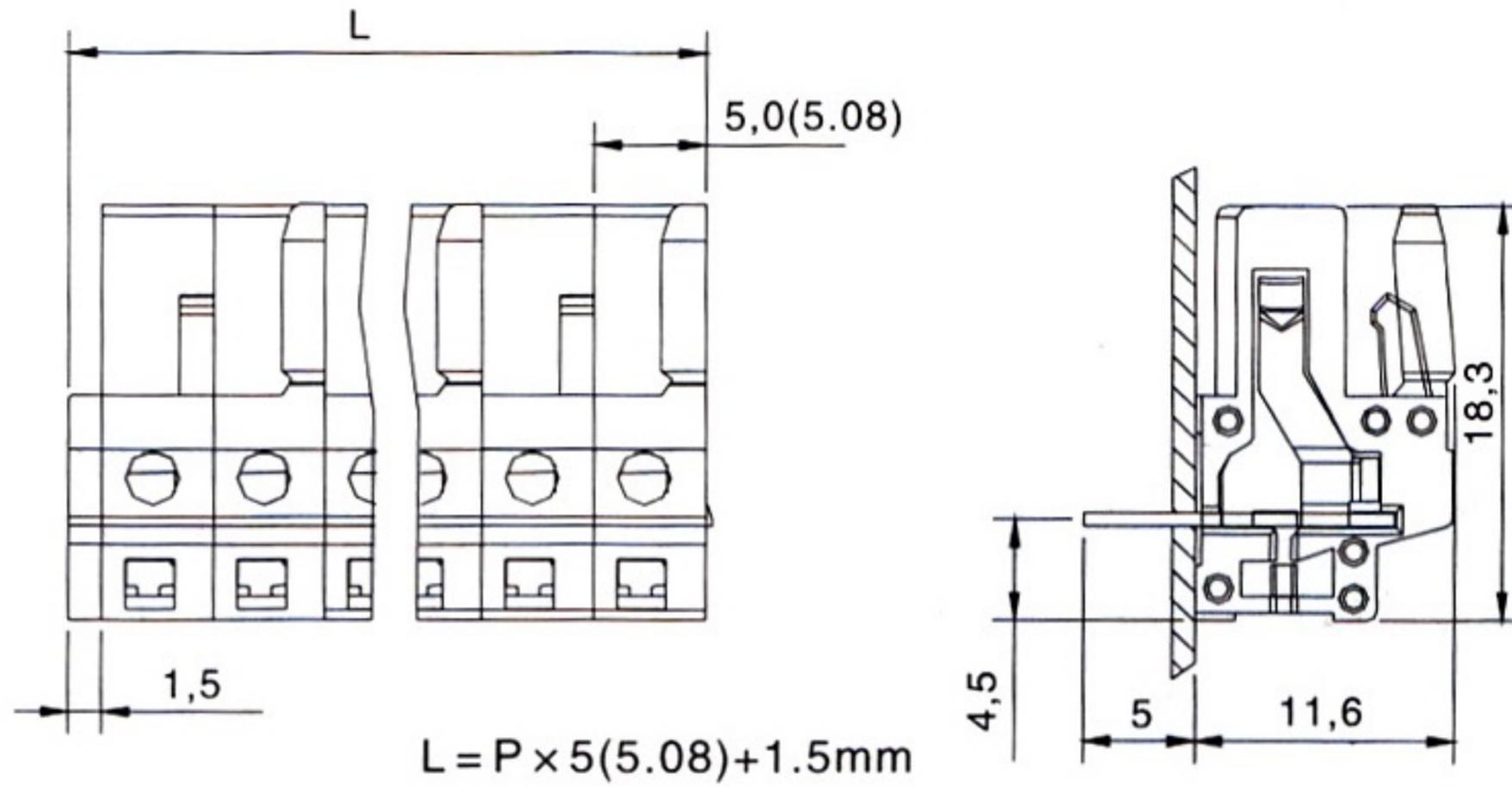
KF450-458-5.0-XXP-1X hole connector with snap hook



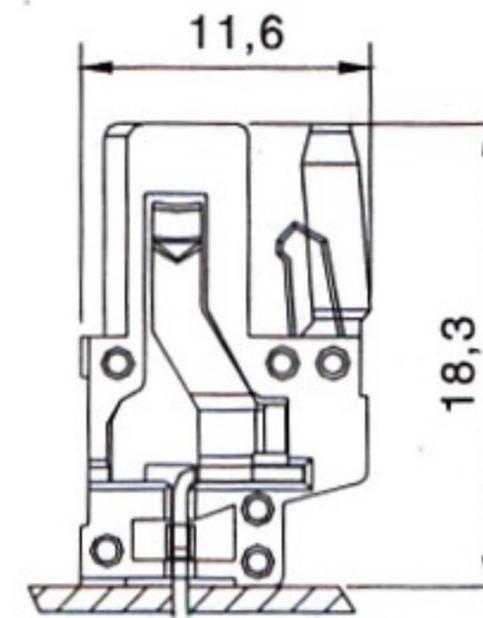
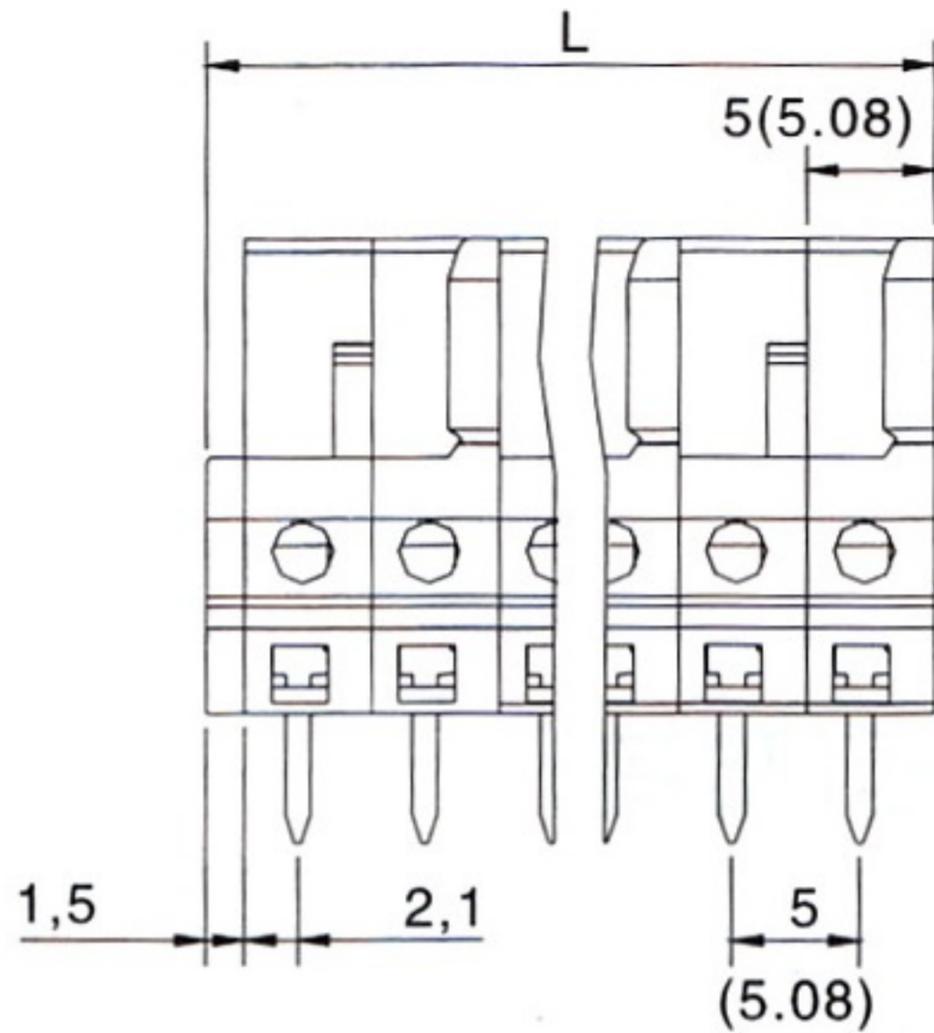
KF450-458-5.0-XXP-1X hole connector



KF450-458-5.0-XXP-1X hole plug straight with welding needle bend

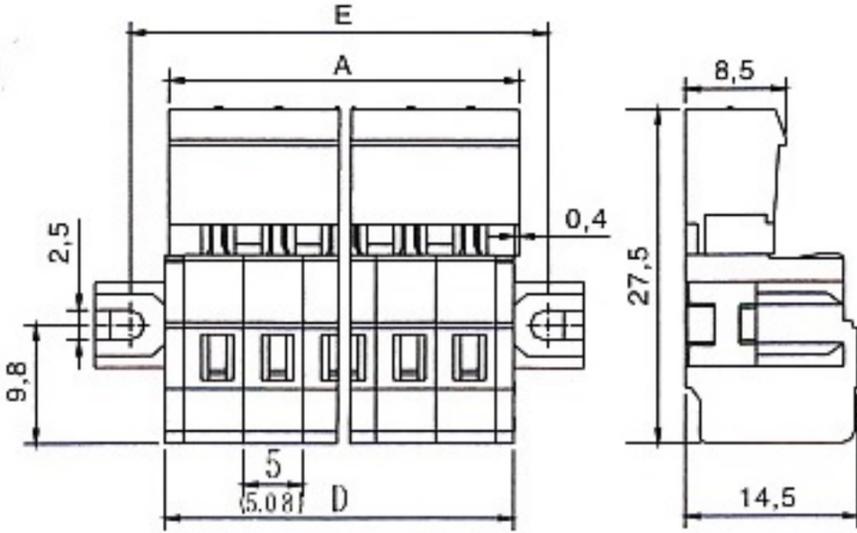


KF450-458-5.0-XXP-1X hole plug straight with with welding pin



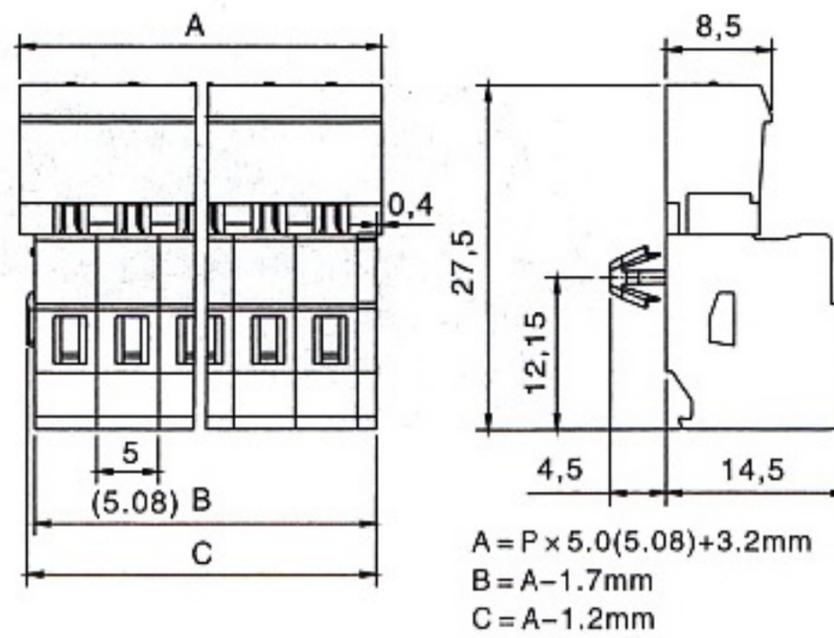
$$L = P \times 5(5.08) + 1.5\text{mm}$$

KF450-458-5.0-XXP-1X pin connector with holder

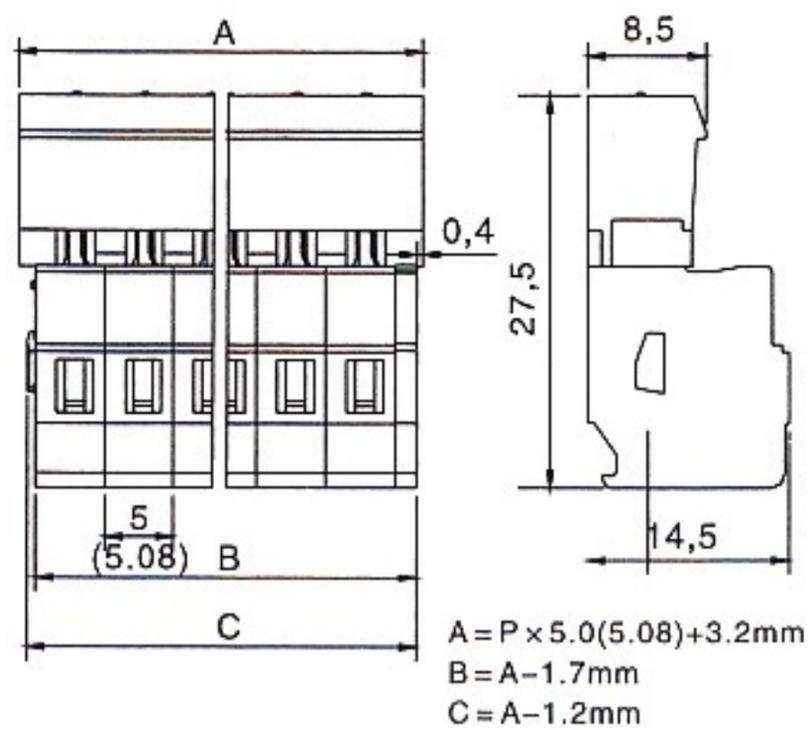


$A = P \times 5.0(5.08) + 3.2\text{mm}$   
 $D = A - 0.2\text{mm}$   
 $E = D + 5.8\text{mm}$

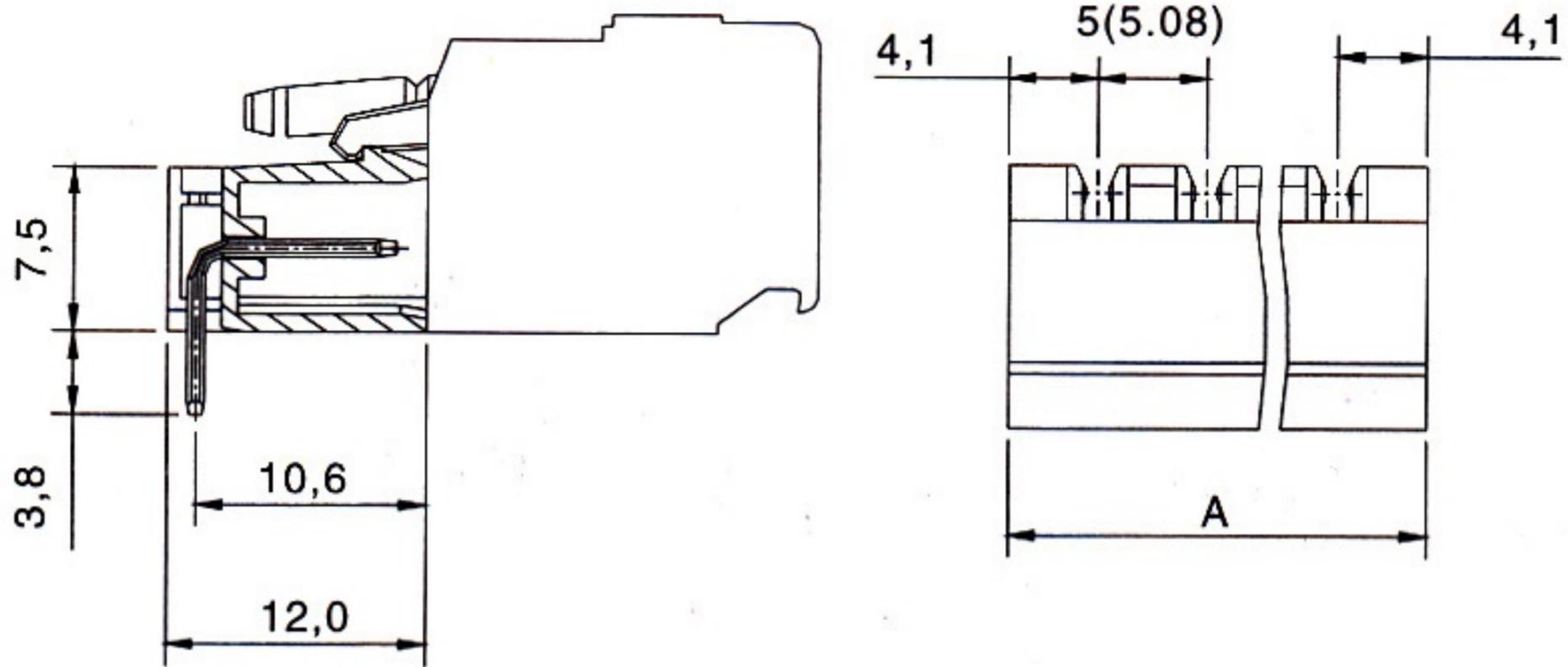
KF450-458-5.0-XXP-1X pin connector with pin



KF450-458-5.0-XXP-1X pin connector

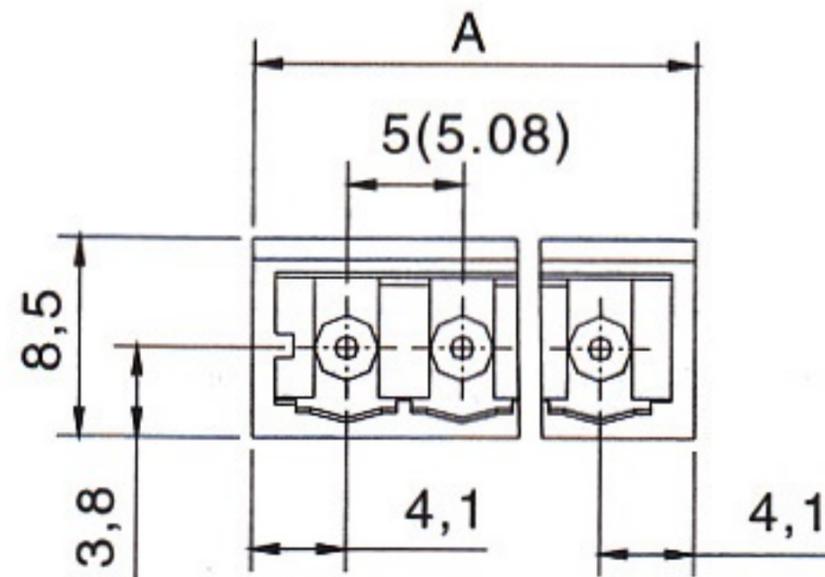
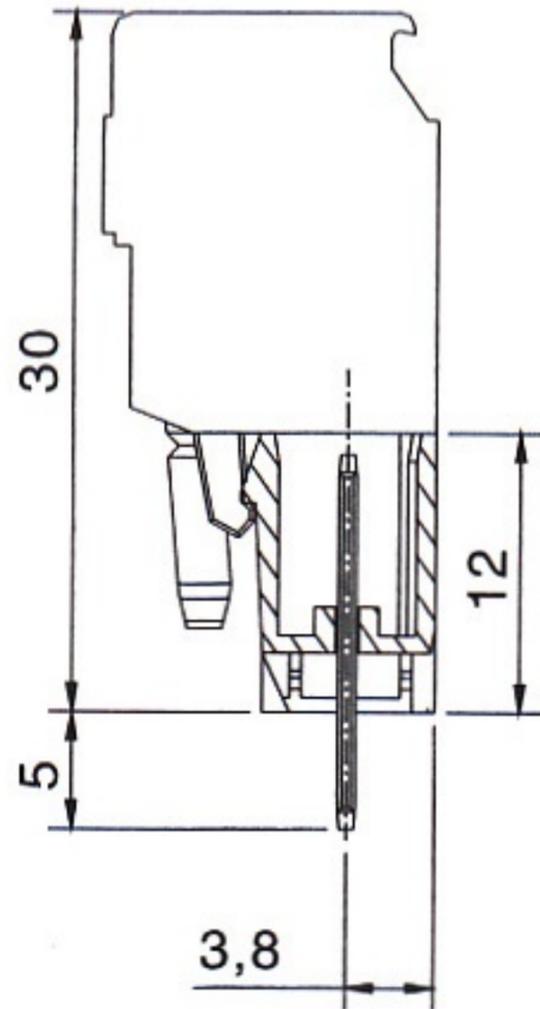


KF450-458-5.0-XXP-1X welding pin socket bend



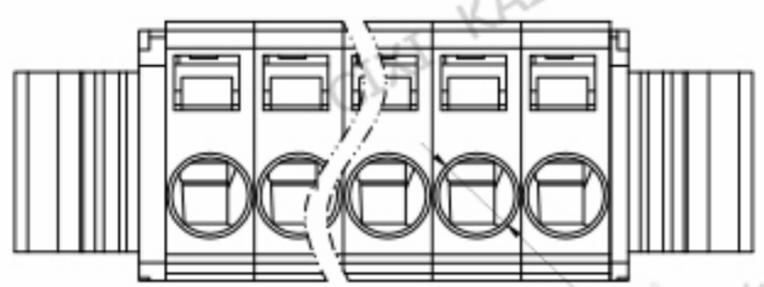
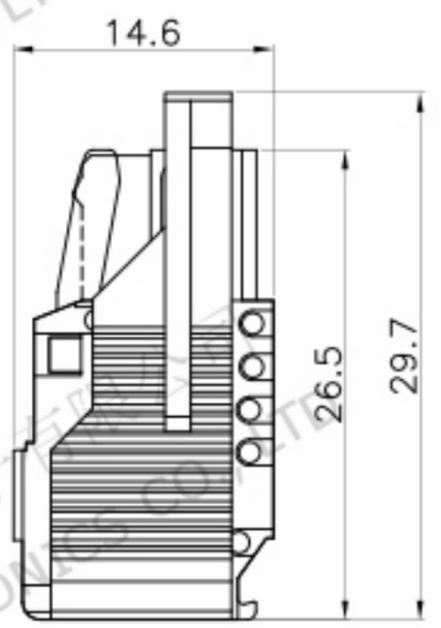
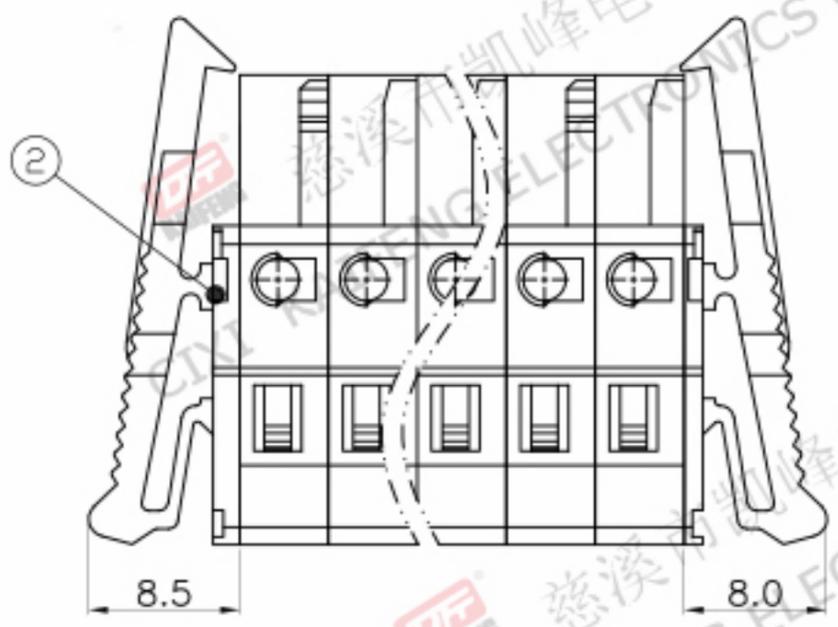
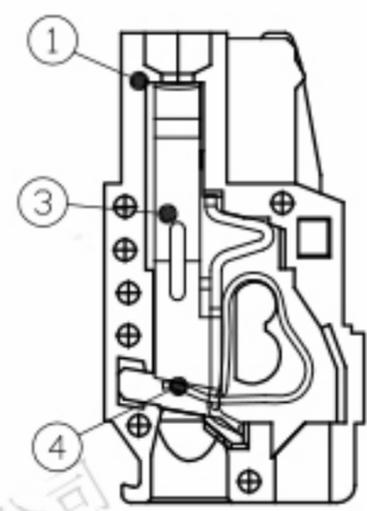
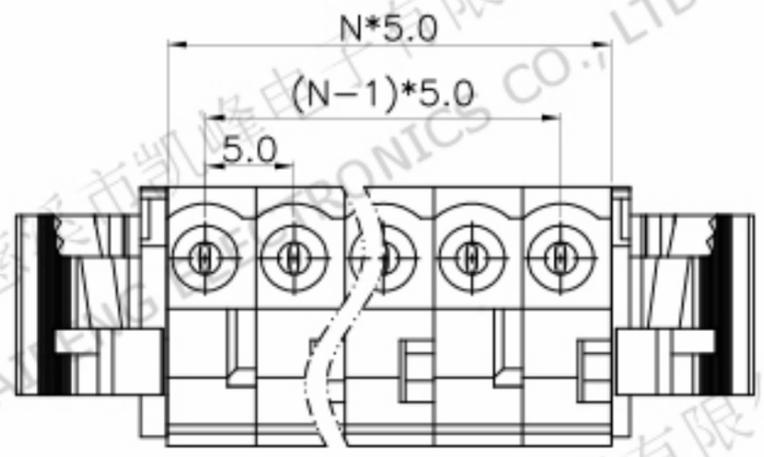
$$A = (P-1) \times 5.0(5.08) + 8.2\text{mm}$$

KF450-458-5.0-XXP-1X welding pin socket straight type



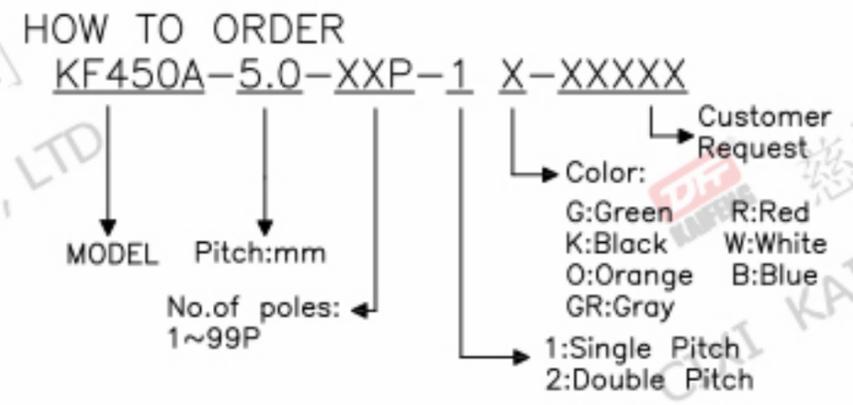
$$A = (P-1) \times 5.0(5.08) + 8.2\text{mm}$$

REV.	DESCRIPTION	DATE	DRAFTER	APPROVER
A1	DWG.REL	2020.06.10	DENG	JIN



- Material
  - ①Housing: PA66, UL94V-0
  - ②Plastic cover: PA66, UL94V-0
  - ③Clip: Copper alloy, Silver plating.
  - ④Reed:Stainless steel
- Electrical
 

	UL	IEC
Rated Voltage:	300V	400V
Rated Corrent:	15A	16A
Contact Resistance:	20mΩ	
Insulation Resistance:	500MΩ/1000V	
Withstanding Voltage:	AC1500V/1Min	
Wire range:	28-12AWG 0.2-2.5mm <sup>2</sup>	
- Mechanical
  - Temperature Range: -30℃~+105℃
  - MAX Soldering: +250℃,(5 Seconds)
- RoHS compliance

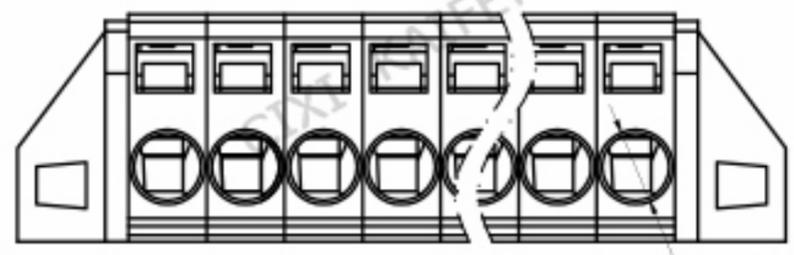
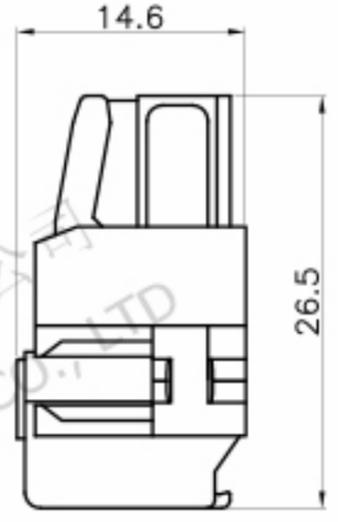
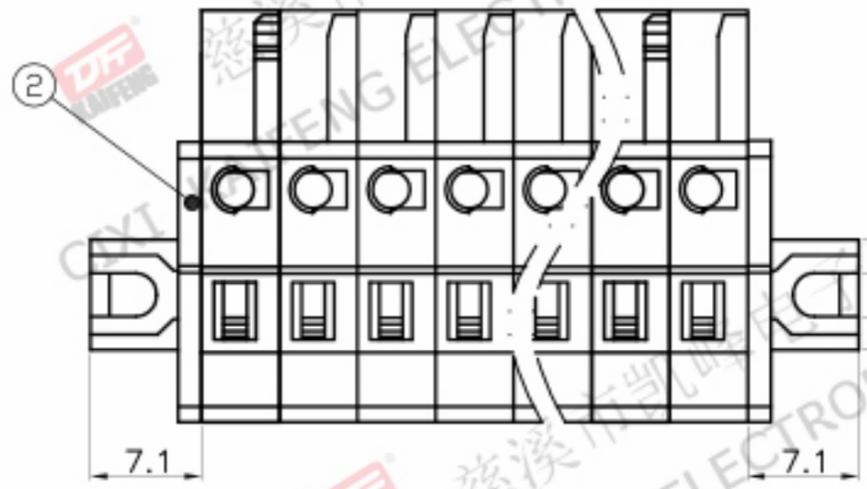
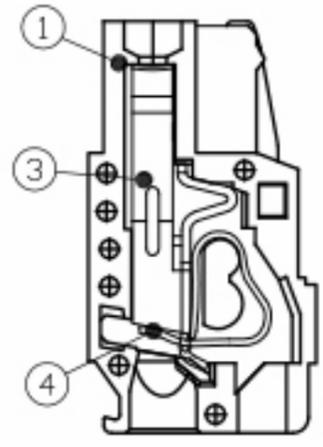
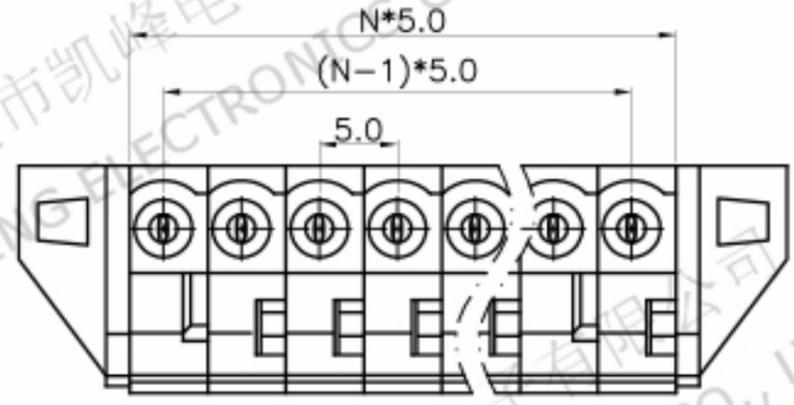


Pitch range	Nominal dimension range	PROJECTION	TITLE
>0	>0	0.1/10	KF450A-5.0-XXP-1X
>6	>30		
>10	>60		
>24	>100		
>30	>150		
±0.15	±0.30		
±0.20	±0.50		
±0.30	±0.70		
±0.50	±1.00		
±0.70	±1.30		
±1.00	±2'		

DRAWING TYPE	CUSTOMER DRAWING
SCALE	1:1 SHEET 1 OF 1
DRAWING NO.	W16000102

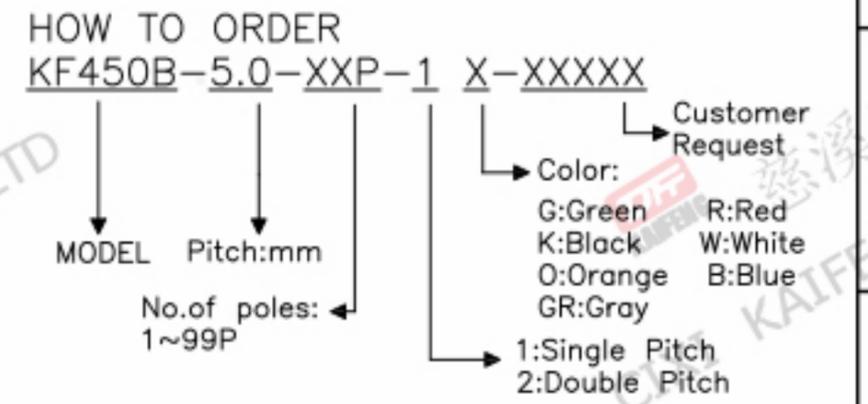
**DF** 慈溪市凯峰电子有限公司  
CIXI KAIFENG ELECTRONICS CO.,LTD

REV.	DESCRIPTION	DATE	DRAFTER	APPROVER
A1	DWG.REL	2020.06.10	DENG	JIN



- Material
  - ①Housing: PA66, UL94V-0
  - ②Plastic cover: PA66, UL94V-0
  - ③Clip: Copper alloy, Silver plating.
  - ④Reed:Stainless steel
- Electrical
 

	UL	IEC
Rated Voltage:	300V	400V
Rated Corrent:	15A	16A
Contact Resistance:	20mΩ	
Insulation Resistance:	500MΩ/1000V	
Withstanding Voltage:	AC1500V/1Min	
Wire range:	28-12AWG 0.2-2.5mm <sup>2</sup>	
- Mechanical
  - Temperature Range: -30℃~+105℃
  - MAX Soldering: +250℃,(5 Seconds)
- RoHS compliance

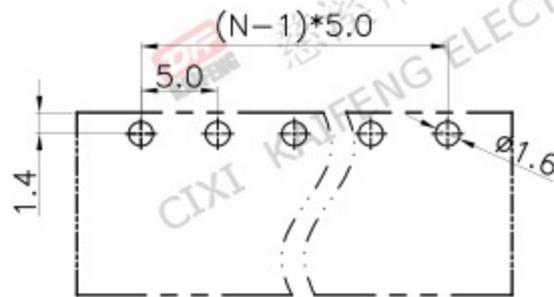
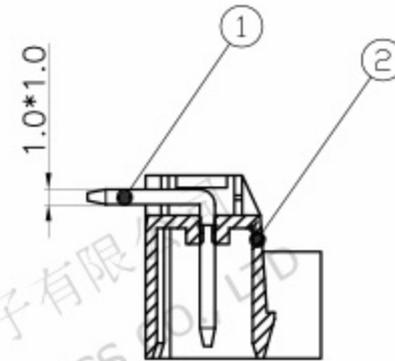
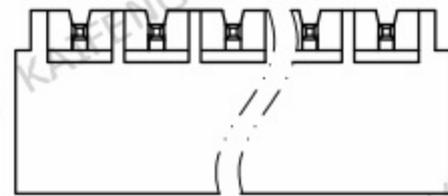
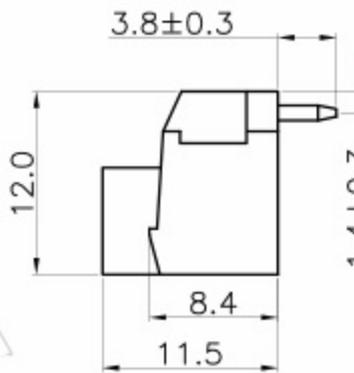
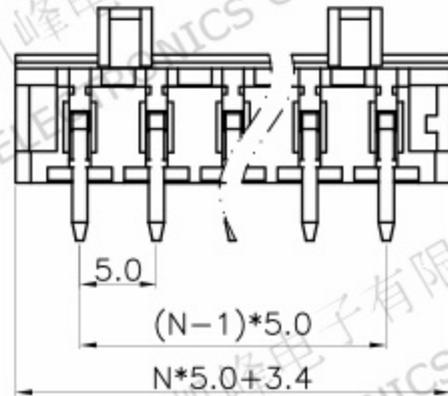


Pitch range		Nominal dimension range						PROJECTION	TITLE
>0	>6	>10	>0	>30	>60	>100	0.1/10 <td rowspan="2">KF450B-5.0-XXP-1X</td>	KF450B-5.0-XXP-1X	
~6	~10	~24	~30	~60	~100	~150	UNIT mm		
±0.15	±0.20	±0.30	±0.30	±0.50	±0.70	±1.00	±1.30	SHEET SIZE A4	
DRAWING TYPE		CUSTOMER DRAWING						SERIES KF450	
SCALE		1:1		SHEET		1 OF 1		DRAWING NO. W16000112	

**DF** 慈溪市凯峰电子有限公司  
 CIXI KAIFENG ELECTRONICS CO.,LTD

KF450-R-5.0-XXP-1X socket welding needle

REV.	DESCRIPTION	DATE	DRAFTER	APPROVER
A1	DWG.REL	2020.06.10	DENG	JIN



P.C.B.LAYOUT

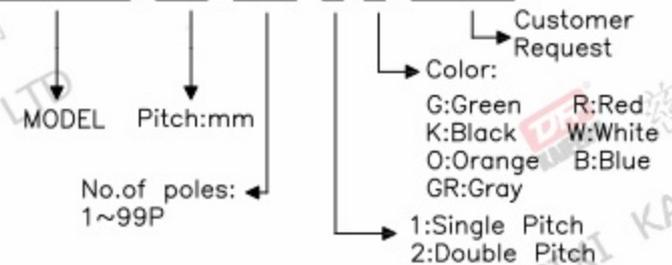
- Material
  - ① Pin header: Copper alloy, Tin plated
  - ② Housing: PA66, UL94V-0
- Electrical
 

	UL	IEC
Rated Voltage:	300V	400V
Rated Current:	15A	16A
Contact Resistance:	20mΩ	
Insulation Resistance:	500MΩ/DC500V	
Withstanding Voltage:	AC1500V/1Min	
- Mechanical
  - Temperature Range: -30°C ~ +105°C
  - MAX Soldering: +250°C, (5 Seconds)

• RoHS compliance

HOW TO ORDER

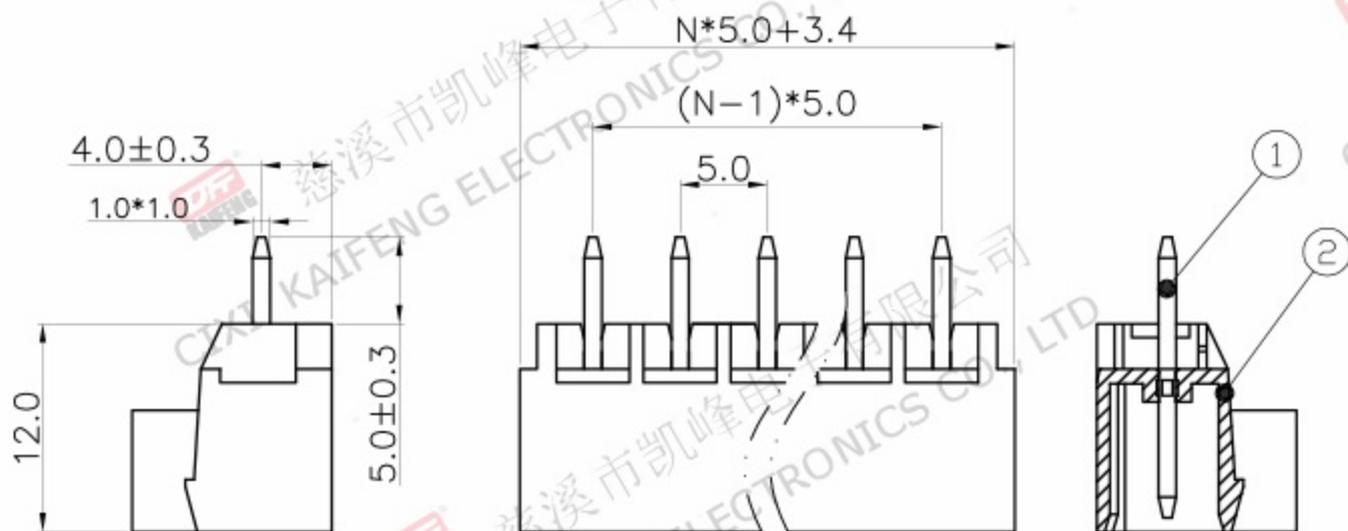
KF450-R-5.0-XXP-1 X-XXXXX



Pitch range	Nominal dimension range	PROJECTION	TITLE
>0 ~6	>6 ~10	0.1/10	KF450-R-5.0-XXP-1X
>10 ~24	>10 ~30		SHEET SIZE A4
>30 ~60	>30 ~100		SERIES KF450
>60 ~100	>60 ~150		
>100 ~150	>100 ~150		
>150	>150		
±0.15	±0.20	±2'	
±0.30	±0.30		
±0.50	±0.50		
±0.70	±0.70		
±1.00	±1.00		
±1.30	±1.30		
±2'	±2'		
DRAWING TYPE CUSTOMER DRAWING		慈溪市凯峰电子有限公司 CIXI KAIFENG ELECTRONICS CO.,LTD	
SCALE 1:1 SHEET 1 OF 1			
DRAWING NO. W16000092			

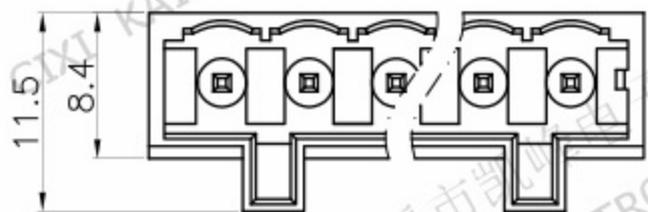
KF450-V-5.0-XXP-1X socket welding needle

REV.	DESCRIPTION	DATE	DRAFTER	APPROVER
A1	DWG.REL	2020.06.10	DENG	JIN



- Material
  - ① Pin header: Copper alloy, Tin plated
  - ② Housing: PA66, UL94V-0
- Electrical
 

	UL	IEC
Rated Voltage:	300V	400V
Rated Current:	15A	16A
Contact Resistance:	20mΩ	
Insulation Resistance:	500MΩ/DC500V	
Withstanding Voltage:	AC1500V/1Min	

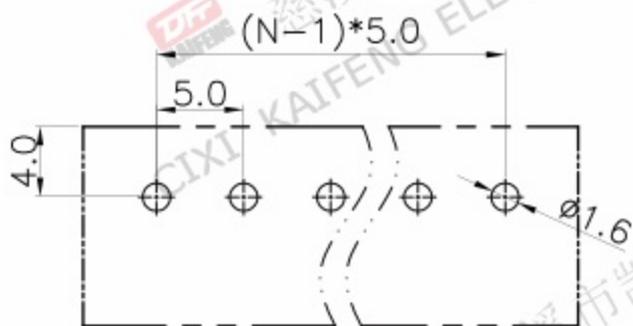
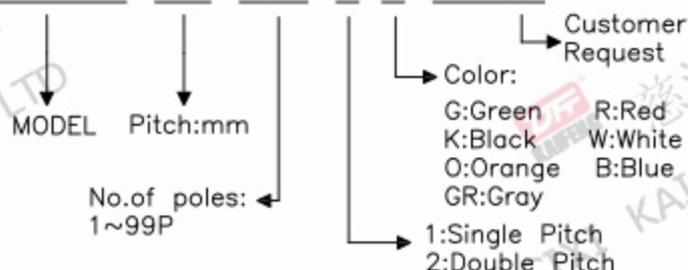


- Mechanical
  - Temperature Range:  $-30^{\circ}\text{C} \sim +105^{\circ}\text{C}$
  - MAX Soldering:  $+250^{\circ}\text{C}$ , (5 Seconds)

• RoHS compliance

HOW TO ORDER

KF450-V-5.0-XXP-1 X-XXXXX



P.C.B.LAYOUT

Pitch range	Nominal dimension range				PROJECTION	TITLE	
$>0$	$>6$	$>10$	$>0$	$>30$	$0.1/10$	KF450-V-5.0-XXP-1X	
$\sim 6$	$\sim 10$	$\sim 24$	$\sim 30$	$\sim 60$	$\angle$	SHEET SIZE A4	
$\pm 0.15$	$\pm 0.20$	$\pm 0.30$	$\pm 0.30$	$\pm 0.50$	$\pm 1.00$	$\pm 1.30$	
DRAWING TYPE		CUSTOMER DRAWING				SERIES KF450	
SCALE		1:1		SHEET		1 OF 1	
DRAWING NO.		W16000082				 慈溪市凯峰电子有限公司 CIXI KAIFENG ELECTRONICS CO.,LTD	