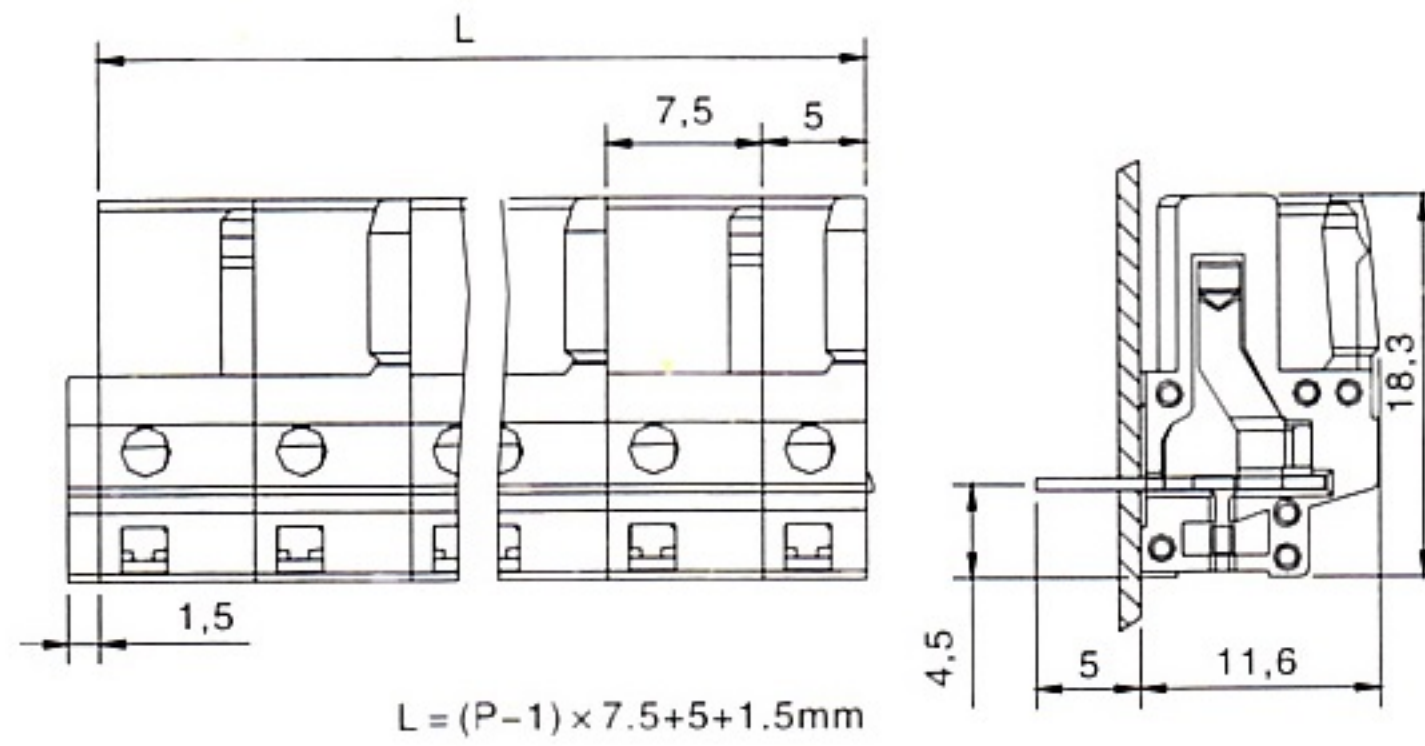
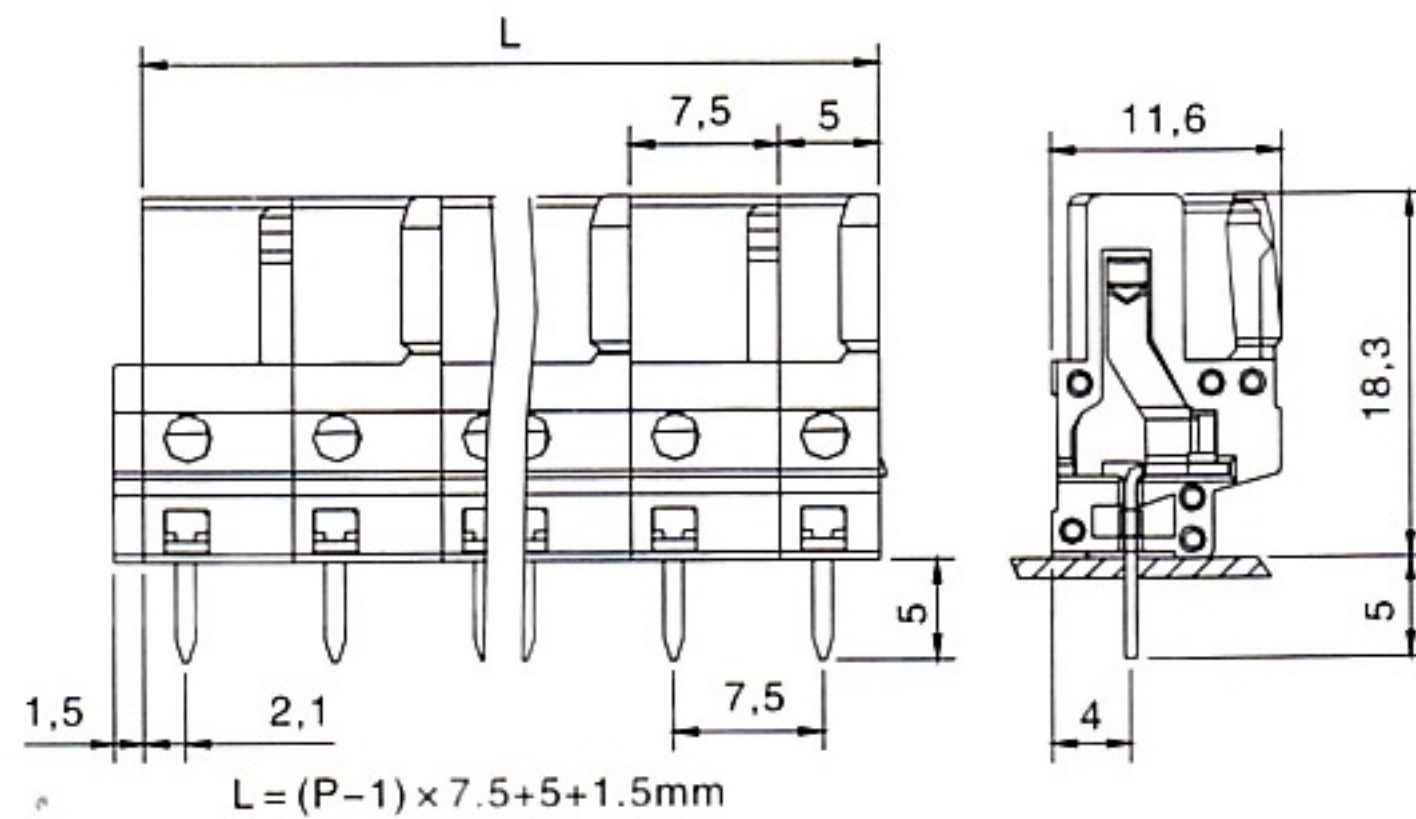


KF475 hole plug straight with welding pin



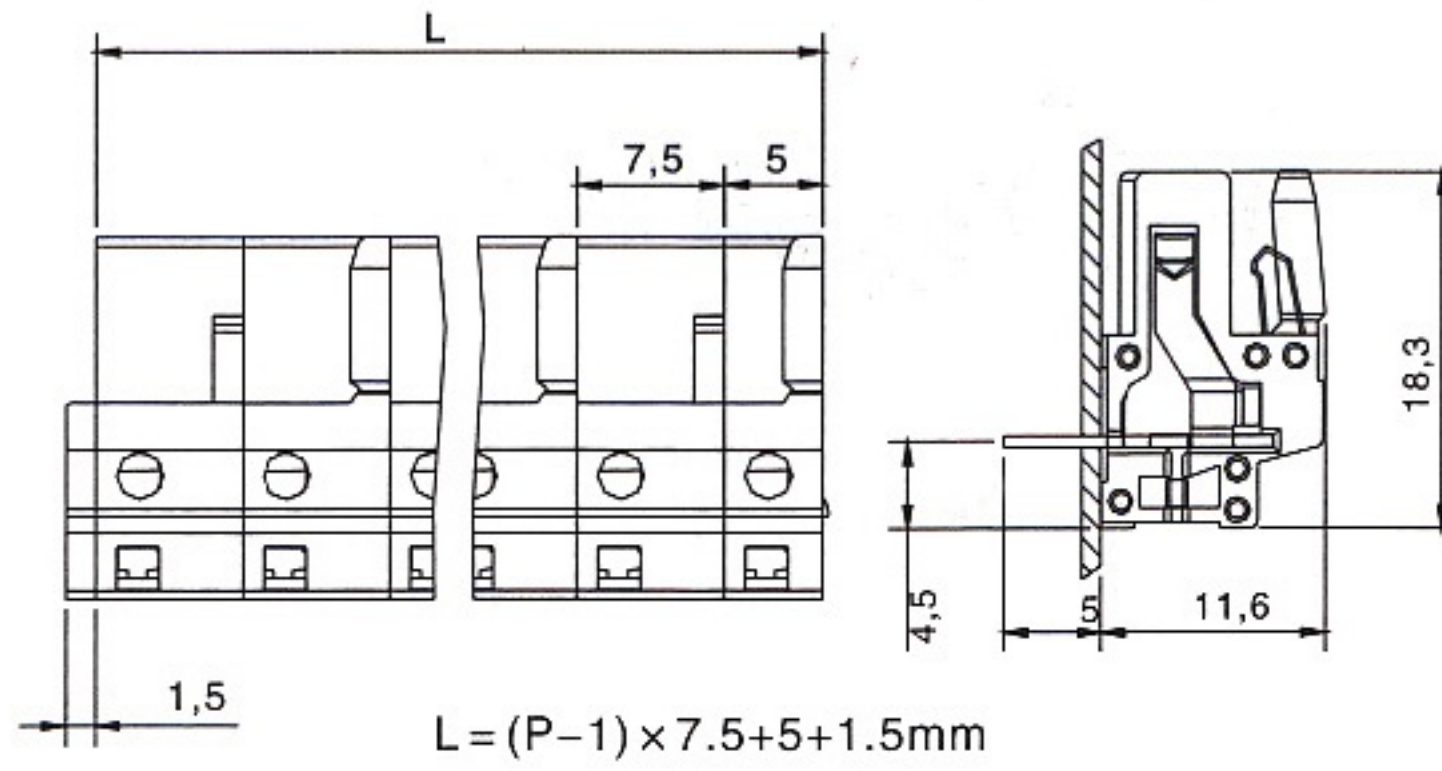
注:插拔方向垂直于PCB板表面

KF475 hole plug with welding needle bend white



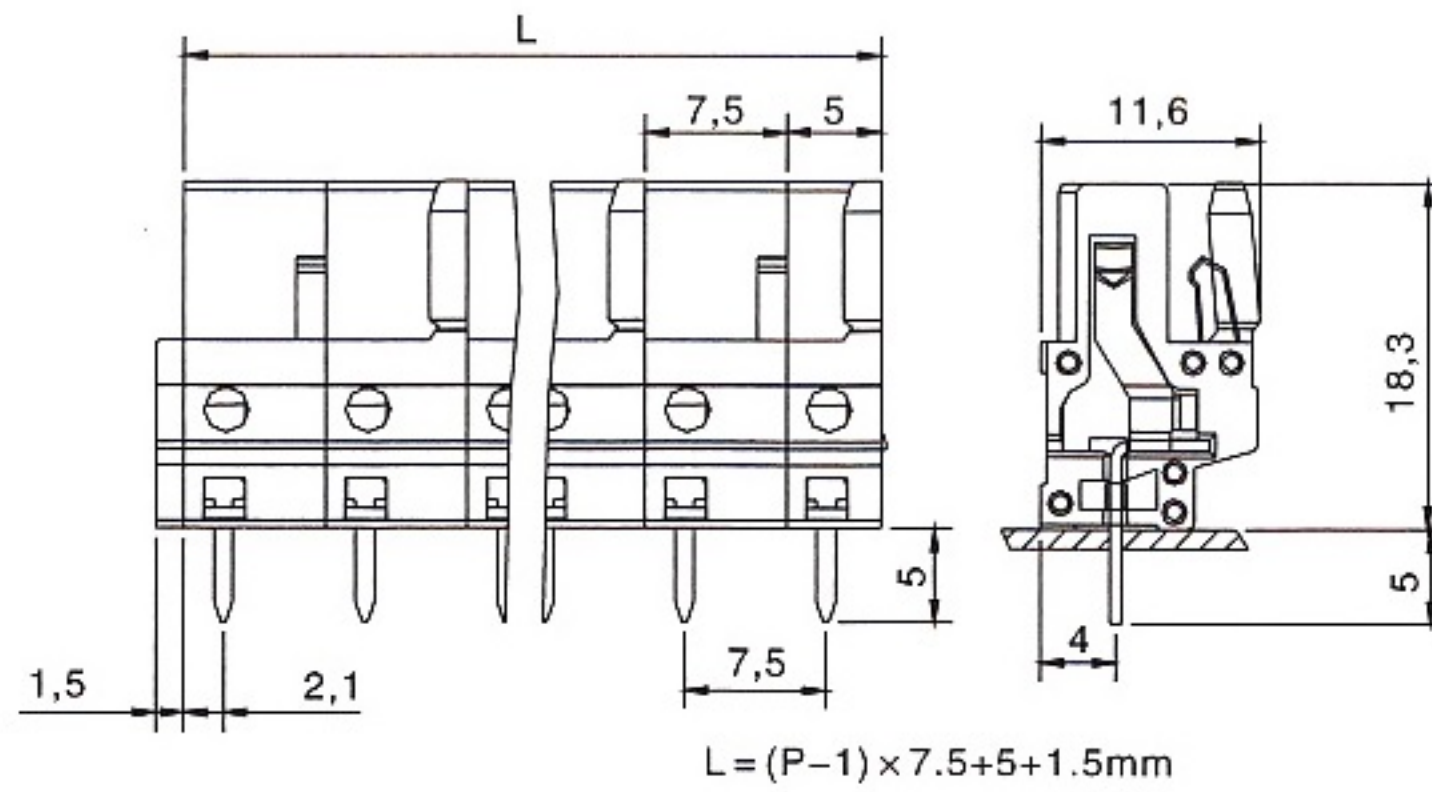
注:插拔方向平行于PCB板表面

KF475 hole plug with welding needle bend



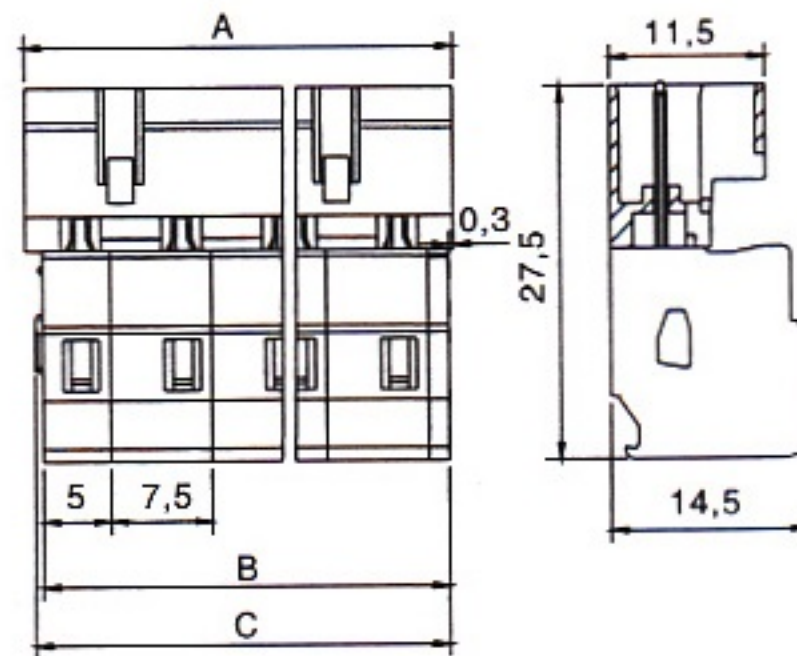
注：插拔方向平行于PCB板表面

KF475 hole plug with welding needle straight white



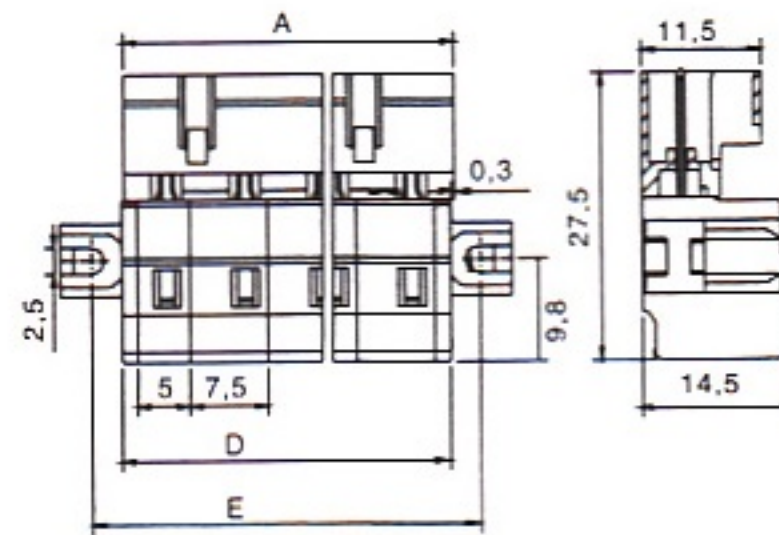
注:插拔方向垂直于PCB板表面

KF475 pin connector



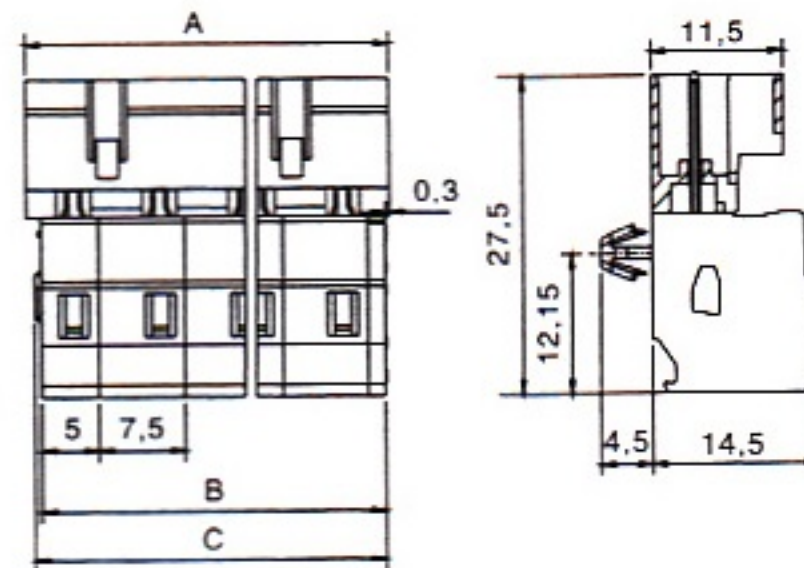
$$A = 5.0 + (P - 1) \times 7.5 + 3.2 \text{ mm}$$
$$B = A - 1.7 \text{ mm}$$
$$C = A - 1.2 \text{ mm}$$

KF475 pin connector with holder



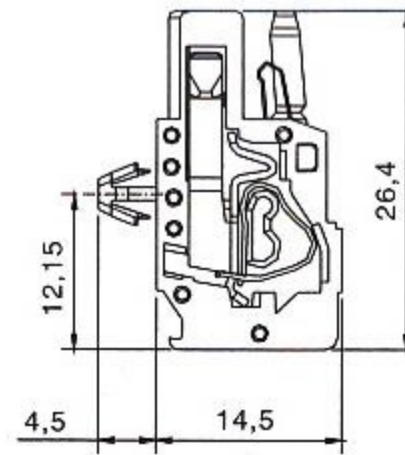
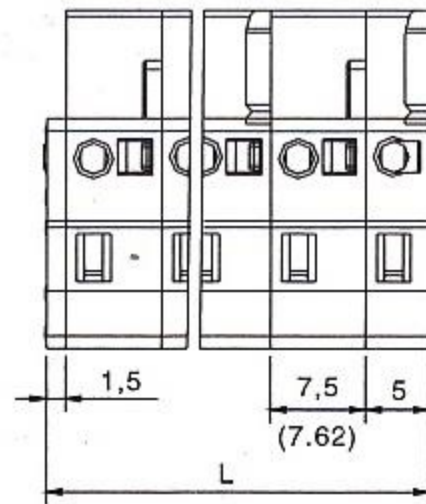
$$A = 5.0 + (P - 1) \times 7.5 + 3.2 \text{ mm}$$
$$D = A - 0.2 \text{ mm}$$
$$E = D + 5.8 \text{ mm}$$

KF475 pin connector with pin



$$A = 5.0 + (P - 1) \times 7.5 + 3.2 \text{ mm}$$
$$B = A - 1.7 \text{ mm}$$
$$C = A - 1.2 \text{ mm}$$

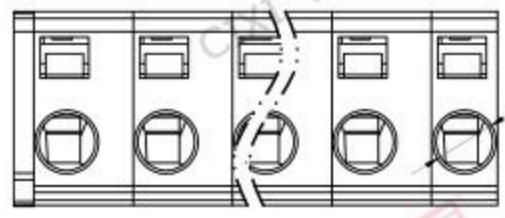
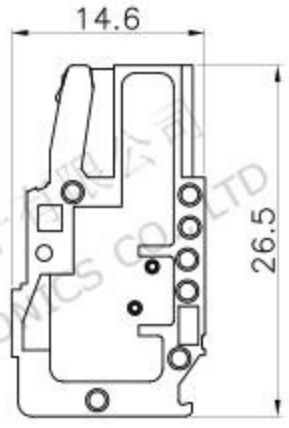
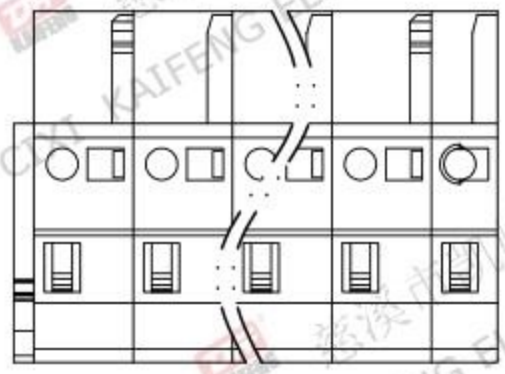
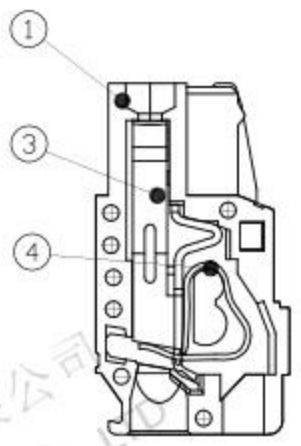
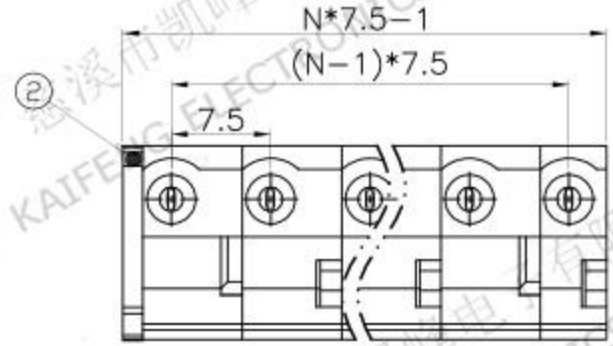
KF475-7.5-XXP-1X hole connector with pin



$$L = 5 + (P - 1) \times 7.5 (7.62) + 1.5 \text{ mm}$$

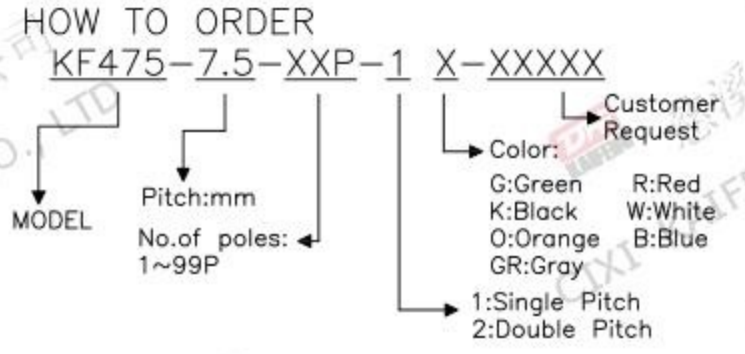
KF475-7.5-XXP-1X hole connector

| REV. | DESCRIPTION | DATE | DRAFTER | APPROVER |
|------|-------------|------------|---------|----------|
| A1 | DWG.REL | 2020.06.10 | DENG | JIN |



- Material
 - ①Housing: PA66, UL94V-0
 - ②Plastic cover: PA66, UL94V-0
 - ③Clip: Copper alloy, Silver plating.
 - ④Reed:Stainless steel
- Electrical

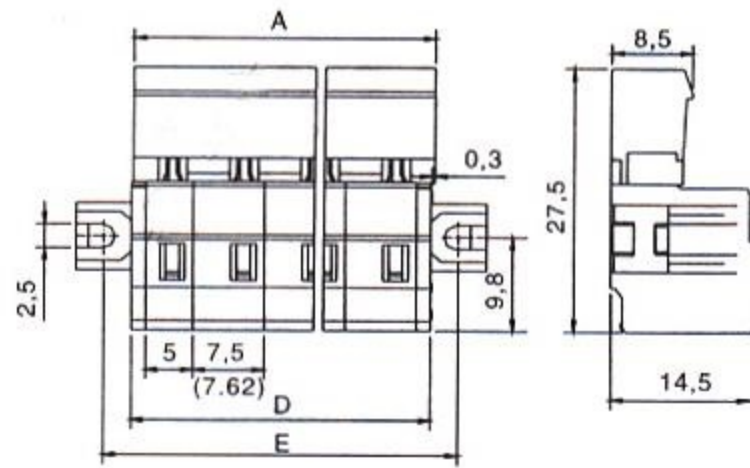
| | UL | IEC |
|------------------------|---------------------------------|------|
| Rated Voltage: | 300V | 630V |
| Rated Corrent: | 15A | 16A |
| Contact Resistance: | 20mΩ | |
| Insulation Resistance: | 500MΩ/DC500V | |
| Withstanding Voltage: | AC1500V/1Min | |
| Wire range: | 28-12AWG 0.2-2.5mm ² | |
- Mechanical
 - Temperature Range: -30℃~+105℃
 - MAX Soldering: +250℃,(5 Seconds)
- RoHS compliance



| Pitch range | Nominal dimension range | PROJECTION | TITLE |
|--------------|-------------------------|------------|------------------|
| >0 ~ 6 | >0 ~ 30 | 0.1/10 | KF475-7.5-XXP-1X |
| >6 ~ 10 | >30 ~ 60 | UNIT | mm |
| >10 ~ 24 | >60 ~ 100 | SHEET SIZE | A4 |
| >24 ~ 30 | >100 ~ 150 | SERIES | KF475 |
| ±0.15 | ±0.20 | | |
| ±0.30 | ±0.30 | | |
| ±0.50 | ±0.70 | | |
| ±1.00 | ±1.30 | | |
| ±2' | | | |
| DRAWING TYPE | CUSTOMER DRAWING | | |
| SCALE | 1:1 | SHEET | 1 OF 1 |
| DRAWING NO. | W16000122 | | |

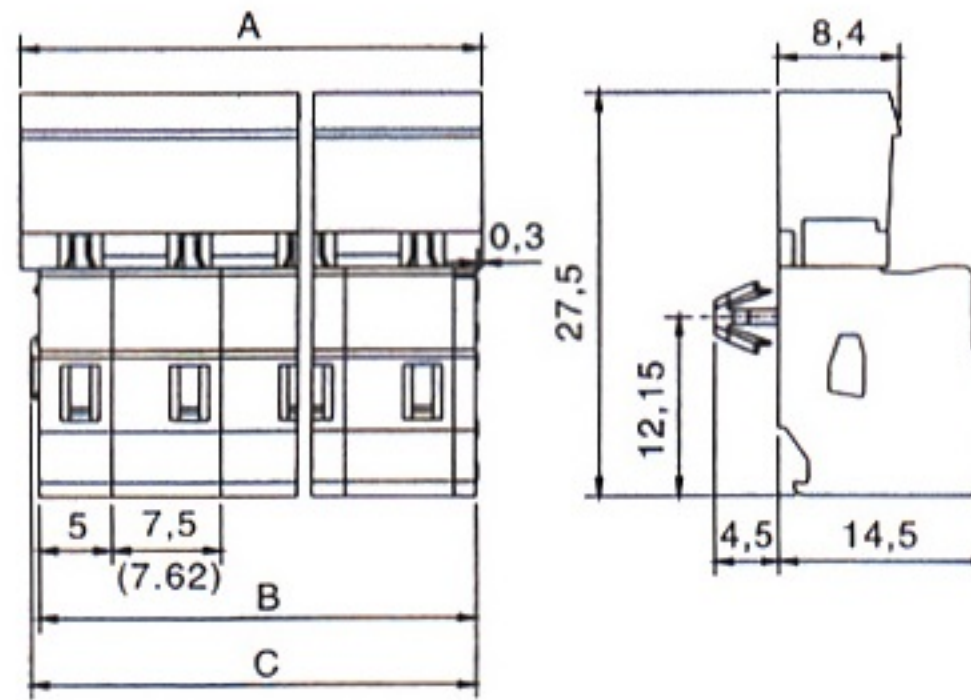
DF 慈溪市凯峰电子有限公司
CIXI KAIFENG ELECTRONICS CO.,LTD

KF475-7.5-XXP-1X pin connector with holder



$$A = 5.0 + (P - 1) \times 7.5(7.62) + 3.2 \text{ mm}$$
$$D = A - 0.2 \text{ mm}$$
$$E = D + 5.8 \text{ mm}$$

KF475-7.5-XXP-1X pin connector with pin

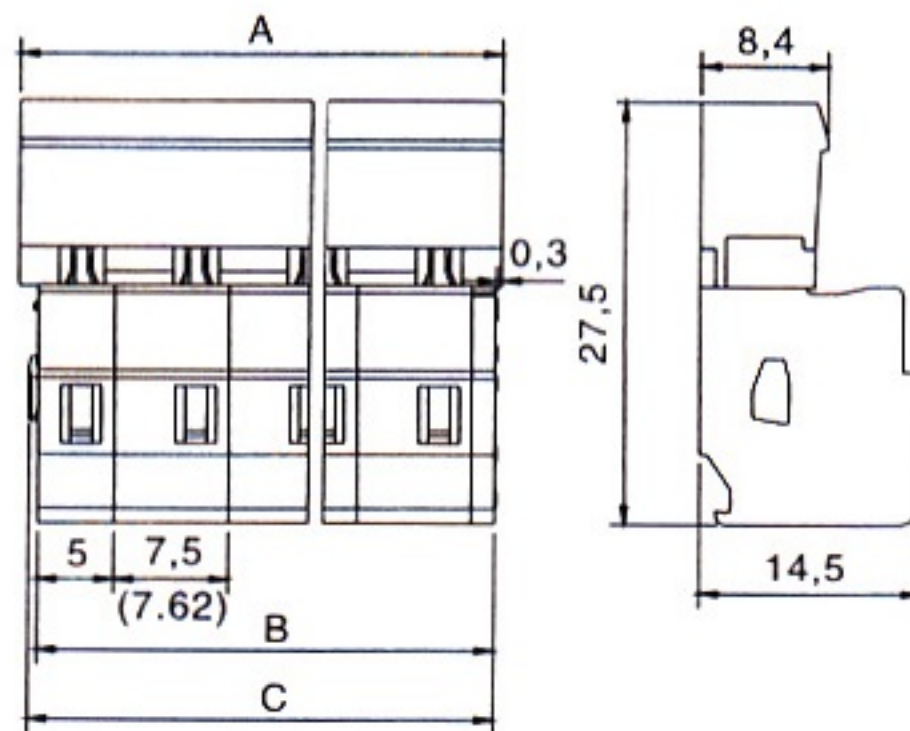


$$A = 5.0 + (P - 1) \times 7.5 (7.62) + 3.2 \text{ mm}$$

$$B = A - 1.7 \text{ mm}$$

$$C = A - 1.2 \text{ mm}$$

KF475-7.5-XXP-1X pin connector



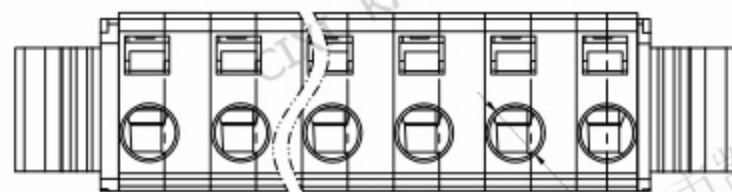
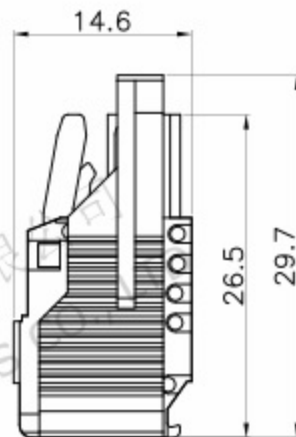
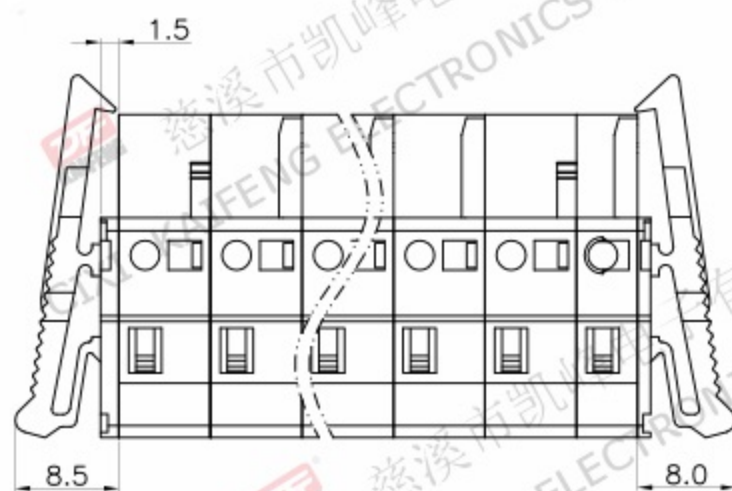
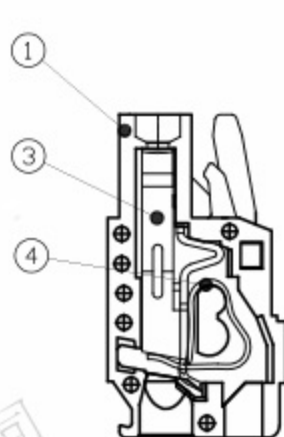
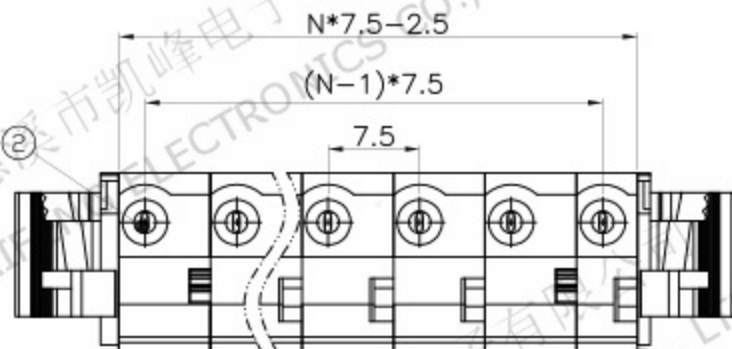
$$A = 5.0 + (P - 1) \times 7.5 (7.62) + 3.2 \text{ mm}$$

$$B = A - 1.7 \text{ mm}$$

$$C = A - 1.2 \text{ mm}$$

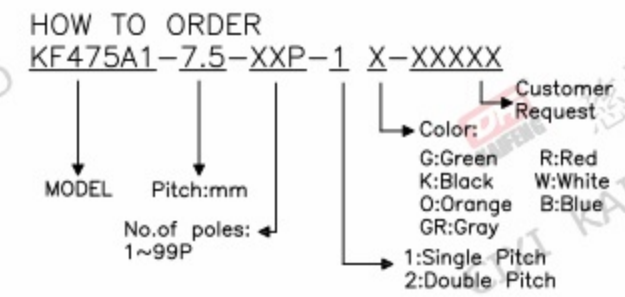
KF475A1-7.5-XXP-1X hole connector

| REV. | DESCRIPTION | DATE | DRAFTER | APPROVER |
|------|-------------|------------|---------|----------|
| A1 | DWG.REL | 2020.06.10 | DENG | JIN |



- Material
 - ①Housing: PA66, UL94V-0
 - ②Plastic cover: PA66, UL94V-0
 - ③Clip:Copper alloy, Silver plating.
 - ④Reed:Stainless steel
- Electrical

| | UL | IEC |
|------------------------|---------------------------------|------|
| Rated Voltage: | 300V | 630V |
| Rated Corrent: | 15A | 16A |
| Contact Resistance: | 20mΩ | |
| Insulation Resistance: | 500MΩ/DC500V | |
| Withstanding Voltage: | AC1500V/1Min | |
| Wire range: | 28-12AWG 0.2-2.5mm ² | |
- Mechanical
 - Temperature Range: -30℃~+105℃
 - MAX Soldering: +250℃,(5 Seconds)
- RoHS compliance

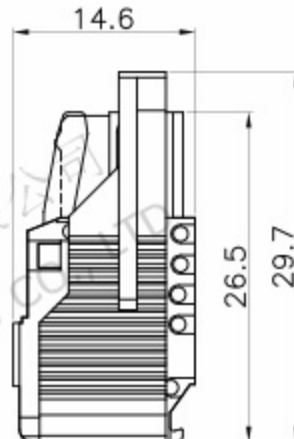
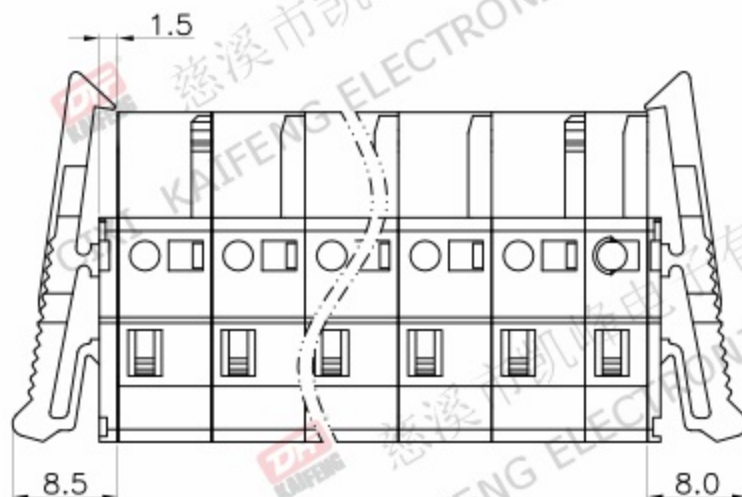
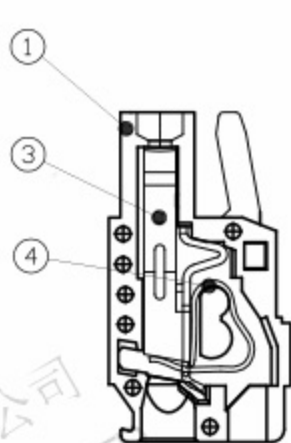
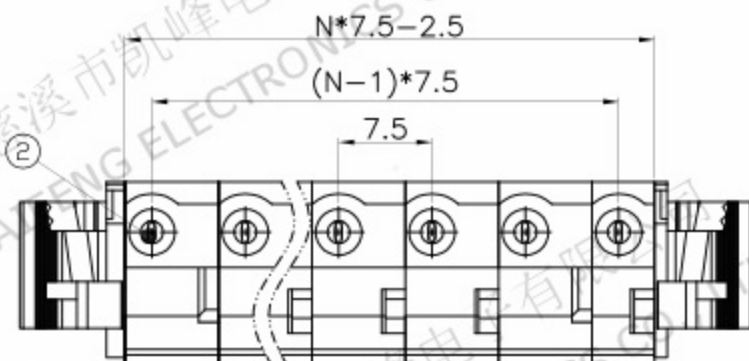


| Pitch range | Nominal dimension range | PROJECTION | TITLE |
|--------------|-------------------------|------------------|--------------------|
| >0 ~ 6 | >0 ~ 30 | 0.1/10 | KF475A1-7.5-XXP-1X |
| >6 ~ 10 | >30 ~ 60 | < | |
| >10 ~ 24 | >60 ~ 100 | | SERIES KF4751 |
| >24 ~ 30 | >100 ~ 150 | | |
| ±0.15 | ±0.20 | ±0.30 | ±0.50 |
| ±0.30 | ±0.30 | ±0.50 | ±0.70 |
| ±0.50 | ±0.70 | ±1.00 | ±1.30 |
| ±2' | | | |
| DRAWING TYPE | | CUSTOMER DRAWING | |
| SCALE | | 1:1 | SHEET 1 OF 1 |
| DRAWING NO. | | W16000202 | |

DF 慈溪市凯峰电子有限公司
CIXI KAIFENG ELECTRONICS CO.,LTD

KF475A-7.5-XXP-1X hole connector

| REV. | DESCRIPTION | DATE | DRAFTER | APPROVER |
|------|-------------|------------|---------|----------|
| A1 | DWG.REL | 2020.06.10 | DENG | JIN |



- Material
 - ①Housing: PA66, UL94V-0
 - ②Plastic cover: PA66, UL94V-0
 - ③Clip: Copper alloy, Silver plating
 - ④Reed:Stainless steel

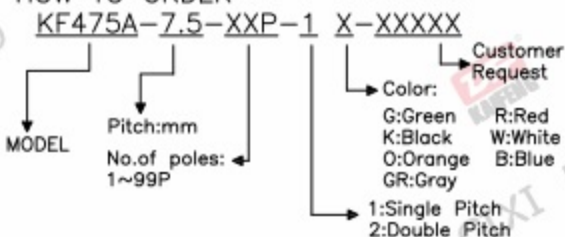
- Electrical

| | |
|-------------------------------------|------------------------|
| UL | IEC |
| Rated Voltage: 300V | 630V |
| Rated Current: 15A | 16A |
| Contact Resistance: 20mΩ | |
| Insulation Resistance: 500MΩ/DC500V | |
| Withstanding Voltage: AC1500V/1Min | |
| Wire range: 28-12AWG | 0.2-2.5mm ² |

- Mechanical
 - Temperature Range: -30℃~+105℃
 - MAX Soldering: +250℃,(5 Seconds)

- RoHS compliance

HOW TO ORDER

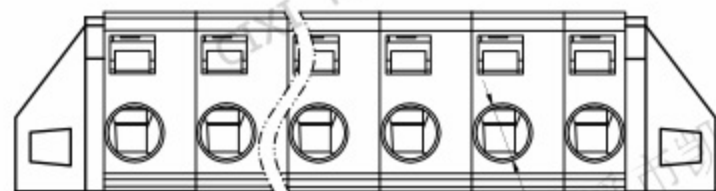
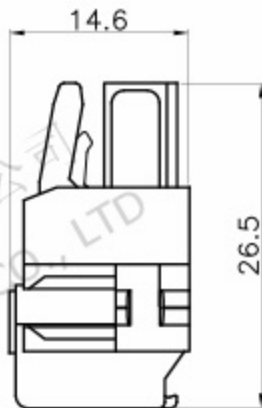
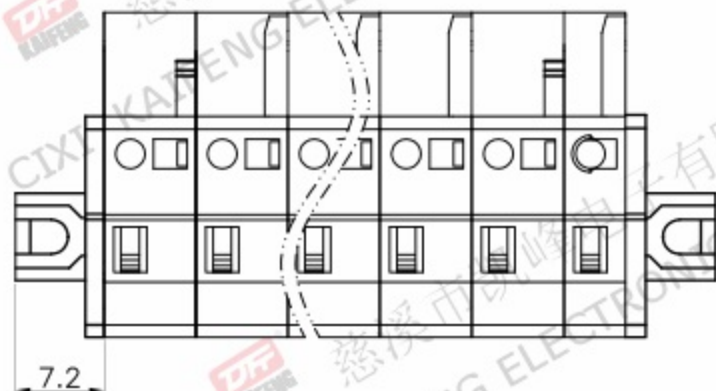
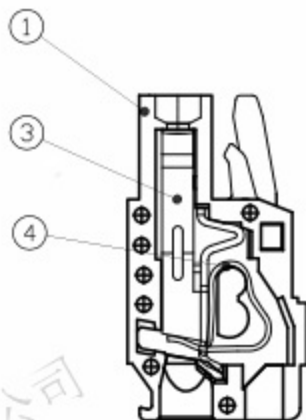
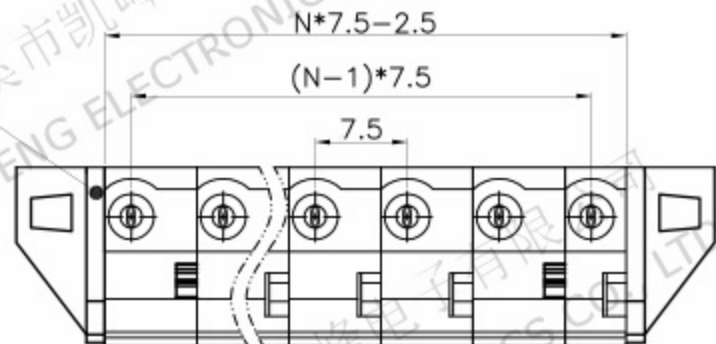


| Pitch range | Nominal dimension range | | | | | | | | PROJECTION | TITLE | |
|--------------|-------------------------|------------------|-------|-------|-------|--------|-------|--------|-------------------|--------|------------|
| >0 | >6 | >10 | >0 | >30 | >60 | >100 | >150 | 0.1/10 | KF475A-7.5-XXP-1X | | |
| ~6 | ~10 | ~24 | ~30 | ~60 | ~100 | ~150 | ~150 | < | | | |
| ±0.15 | ±0.20 | ±0.30 | ±0.30 | ±0.50 | ±0.70 | ±1.00 | ±1.30 | ±2' | UNIT | | |
| DRAWING TYPE | | CUSTOMER DRAWING | | | | | | | | mm | SHEET SIZE |
| SCALE | | 1:1 | | SHEET | | 1 OF 1 | | A4 | | | |
| DRAWING NO. | | W16000152 | | | | | | | | SERIES | KF475 |

DF 慈溪市凯峰电子有限公司
CIXI KAIFENG ELECTRONICS CO.,LTD

KF475B1-7.5-XXP-1X hole connector

| REV. | DESCRIPTION | DATE | DRAFTER | APPROVER |
|------|-------------|------------|---------|----------|
| A1 | DWG.REL | 2020.06.10 | DENG | JIN |



- Material
 - ①Housing: PA66, UL94V-0
 - ②Plastic cover: PA66, UL94V-0
 - ③Clip: Copper alloy, Silver plating.
 - ④Reed: Stainless steel

- Electrical

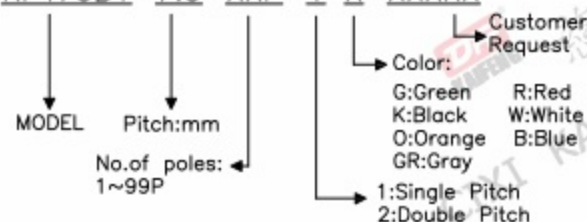
| | UL | IEC |
|------------------------|---------------------------------|------|
| Rated Voltage: | 300V | 630V |
| Rated Current: | 15A | 16A |
| Contact Resistance: | 20mΩ | |
| Insulation Resistance: | 500MΩ/DC500V | |
| Withstanding Voltage: | AC1500V/1Min | |
| Wire range: | 28-12AWG 0.2-2.5mm ² | |

- Mechanical
 - Temperature Range: -30°C~+105°C
 - MAX Soldering: +250°C,(5 Seconds)

- RoHS compliance

HOW TO ORDER

KF475B1-7.5-XXP-1 X-XXXXX



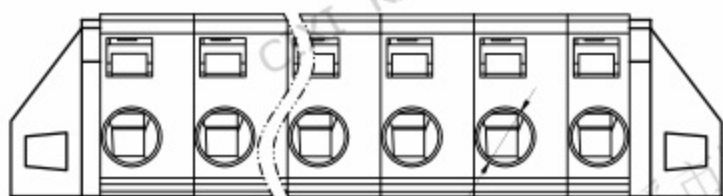
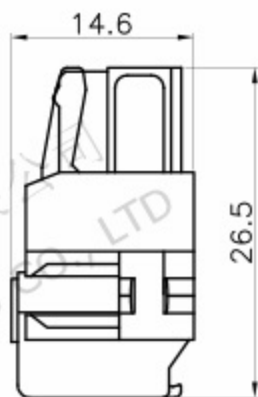
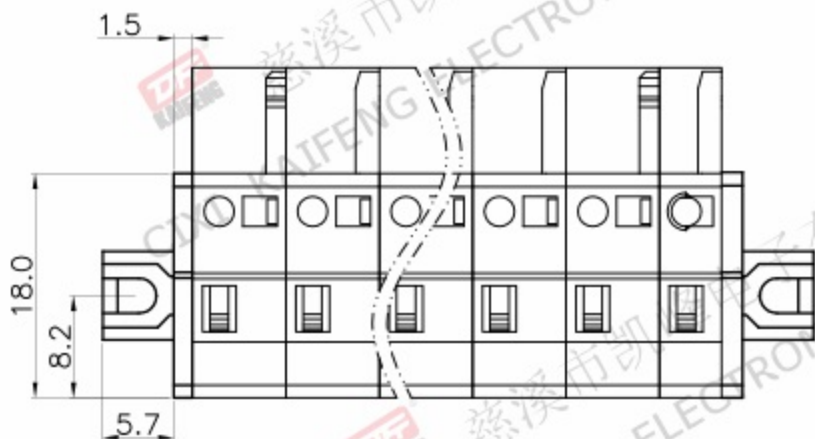
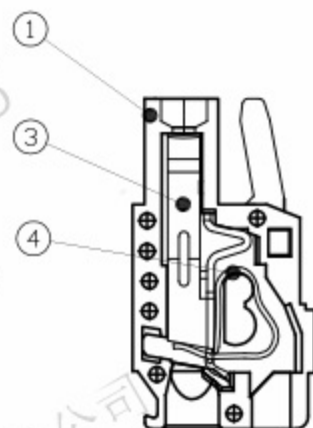
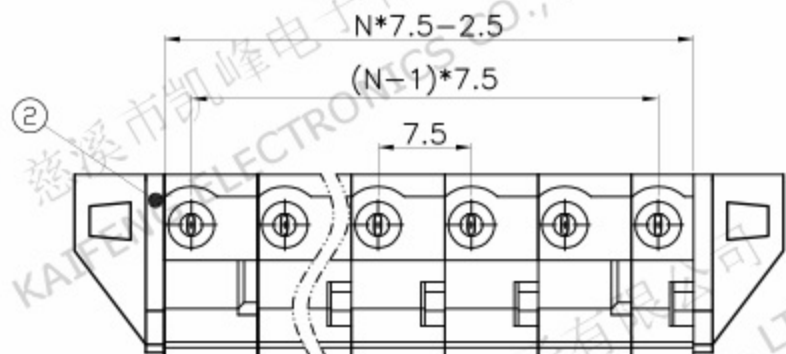
| Pitch range | Nominal dimension range | | | | | | | | PROJECTION | TITLE |
|--------------|-------------------------|------------------|-------|-------|-------|--------|-------|--------|--------------------|-------|
| >0 | >6 | >10 | >0 | >30 | >60 | >100 | >150 | 0.1/10 | KF475B1-7.5-XXP-1X | |
| ~6 | ~10 | ~24 | ~30 | ~60 | ~100 | ~150 | ~150 | < | | |
| ±0.15 | ±0.20 | ±0.30 | ±0.30 | ±0.50 | ±0.70 | ±1.00 | ±1.30 | ±2' | UNIT mm | |
| DRAWING TYPE | | CUSTOMER DRAWING | | | | | | | | |
| SCALE | | 1:1 | | SHEET | | 1 OF 1 | | | | |
| DRAWING NO. | | W16000212 | | | | | | | | |



慈溪市凯峰电子有限公司
CIXI KAIFENG ELECTRONICS CO.,LTD

KF475B-7.5-XXP-1X hole connector

| REV. | DESCRIPTION | DATE | DRAFTER | APPROVER |
|------|-------------|------------|---------|----------|
| A1 | DWG.REL | 2020.06.10 | DENG | JIN |



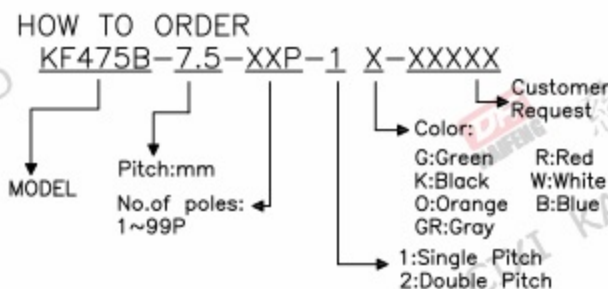
- Material
 - ①Housing: PA66, UL94V-0
 - ②Plastic cover: PA66, UL94V-0
 - ③Clip: Copper alloy, Silver plating.
 - ④Reed:Stainless steel

- Electrical

| | | |
|------------------------|--------------|------------------------|
| | UL | IEC |
| Rated Voltage: | 300V | 630V |
| Rated Current: | 15A | 16A |
| Contact Resistance: | 20mΩ | |
| Insulation Resistance: | 500MΩ/DC500V | |
| Withstanding Voltage: | AC1500V/1Min | |
| Wire range: | 28-12AWG | 0.2-2.5mm ² |

- Mechanical
 - Temperature Range: -30℃~+105℃
 - MAX Soldering: +250℃,(5 Seconds)

- RoHS compliance

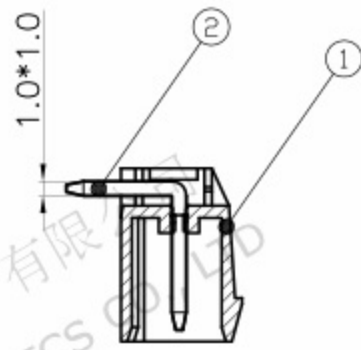
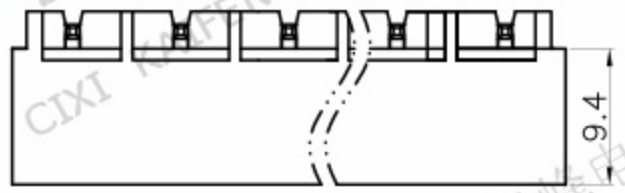
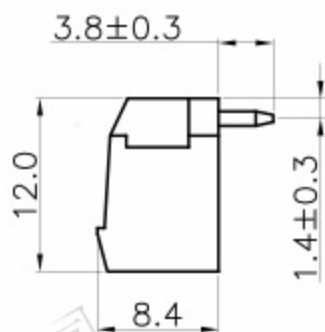
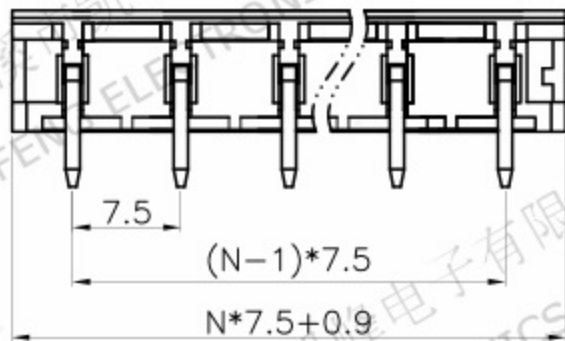


| Pitch range | Nominal dimension range | | | | | | | | PROJECTION | TITLE | |
|--------------|-------------------------|------------------|-------|-------|-------|--------|-------|---------|-------------------|-----------------------|--|
| >0 | >6 | >10 | >0 | >30 | >60 | >100 | >150 | 0.1/10 | KF475B-7.5-XXP-1X | | |
| ~6 | ~10 | ~24 | ~30 | ~60 | ~100 | ~150 | < | UNIT mm | | | |
| ±0.15 | ±0.20 | ±0.30 | ±0.30 | ±0.50 | ±0.70 | ±1.00 | ±1.30 | ±2' | SHEET SIZE A4 | | |
| DRAWING TYPE | | CUSTOMER DRAWING | | | | | | | | SERIES KF475 | |
| SCALE | | 1:1 | | SHEET | | 1 OF 1 | | | | DRAWING NO. W16000162 | |

DF 慈溪市凯峰电子有限公司
CIXI KAIFENG ELECTRONICS CO.,LTD

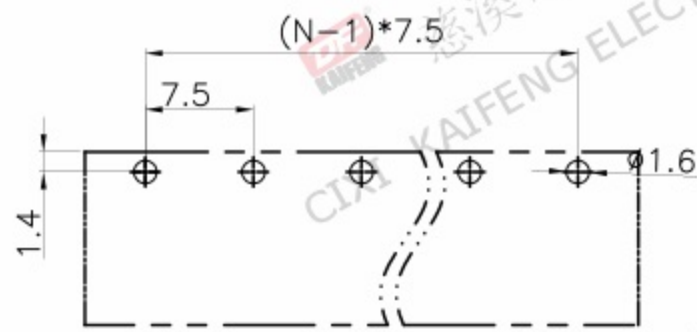
KF475-R1-7.5-XXP-1X welding pin socket

| REV. | DESCRIPTION | DATE | DRAFTER | APPROVER |
|------|-------------|------------|---------|----------|
| A1 | DWG.REL | 2020.06.10 | DENG | JIN |



- Material
 - ①Housing: PA66, UL94V-0
 - ②Pin header: Copper alloy, Tin plated
- Electrical

| | |
|-------------------------------------|------|
| UL | IEC |
| Rated Voltage: 300V | 630V |
| Rated Current: 15A | 16A |
| Contact Resistance: 20mΩ | |
| Insulation Resistance: 500MΩ/DC500V | |
| Withstanding Voltage: AC1500V/1Min | |
- Mechanical
 - Temperature Range: -30°C ~ +105°C
 - MAX Soldering: +250°C, (5 Seconds)
- RoHS compliance



P.C.B.LAYOUT

HOW TO ORDER
KF475-R1-7.5-XXP-1 X-XXXXX

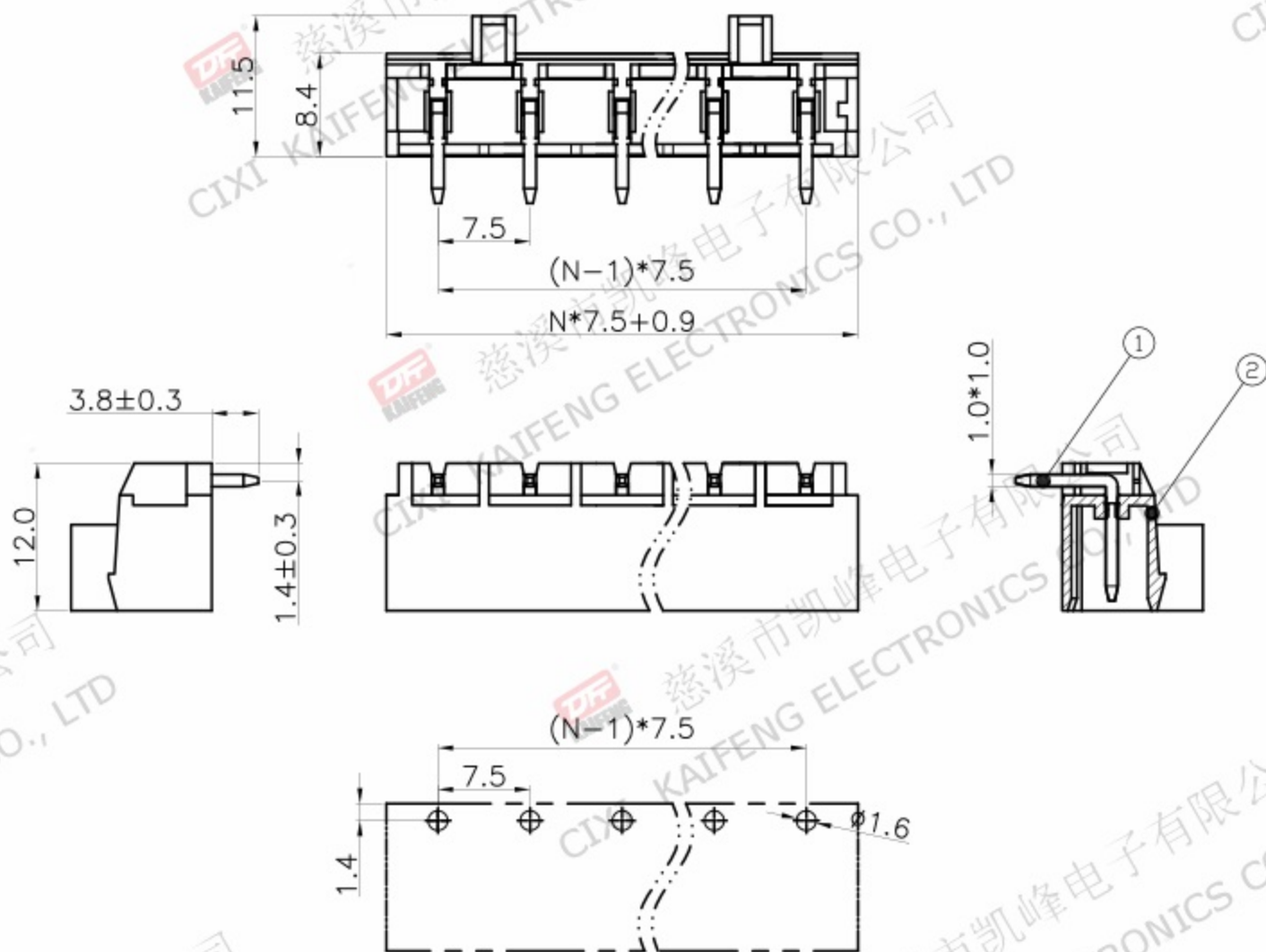
| | | | | |
|-------|----------|-----------------------|---|--|
| MODEL | Pitch:mm | No.of poles: 1~99P | Color: G:Green K:Black O:Orange GR:Gray | Customer Request R:Red W:White B:Blue |
| | | | 1:Single Pitch | 2:Double Pitch |

| Pitch range | Nominal dimension range | PROJECTION | TITLE |
|--------------|-------------------------|------------|---------------------|
| >0 ~6 | >6 ~10 | 0.1/10 | KF475-R1-7.5-XXP-1X |
| >10 ~24 | >30 ~60 | UNIT | mm |
| >30 ~60 | >60 ~100 | SHEET SIZE | A4 |
| >60 ~100 | >100 ~150 | SERIES | KF4751 |
| >150 | | | |
| ±0.15 | ±0.20 | | |
| ±0.30 | ±0.30 | | |
| ±0.50 | ±0.70 | | |
| ±1.00 | ±1.30 | | |
| ±2' | | | |
| DRAWING TYPE | CUSTOMER DRAWING | | |
| SCALE | 1:1 | SHEET | 1 OF 1 |
| DRAWING NO. | W16000192 | | |

DF 慈溪市凯峰电子有限公司
 CIXI KAIFENG ELECTRONICS CO.,LTD

KF475-R-7.5-XXP-1X welding pin socket

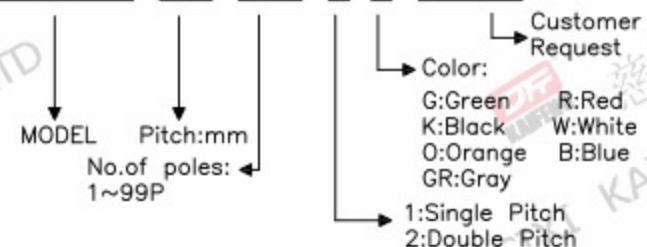
| REV. | DESCRIPTION | DATE | DRAFTER | APPROVER |
|------|-------------|------------|---------|----------|
| A1 | DWG.REL | 2020.06.10 | DENG | JIN |



- Material
 - ① Pin header: Copper alloy, Tin plated
 - ② Housing: PA66, UL94V-0
- Electrical

| | UL | IEC |
|------------------------|--------------|------|
| Rated Voltage: | 300V | 630V |
| Rated Current: | 15A | 16A |
| Contact Resistance: | 20mΩ | |
| Insulation Resistance: | 500MΩ/DC500V | |
| Withstanding Voltage: | AC1500V/1Min | |
- Mechanical
 - Temperature Range: -30°C ~ +105°C
 - MAX Soldering: +250°C, (5 Seconds)
- RoHS compliance

HOW TO ORDER
 KF475-R-7.5-XXP-1 X-XXXXX

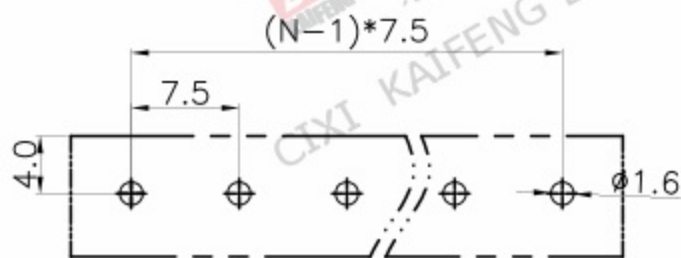
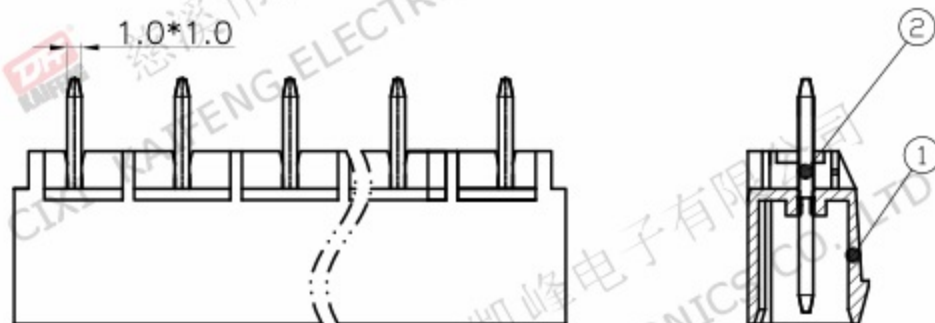
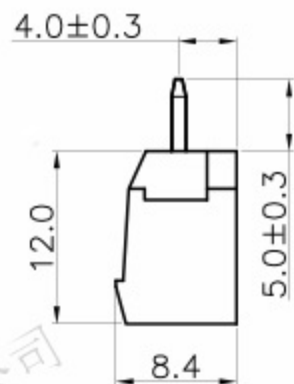
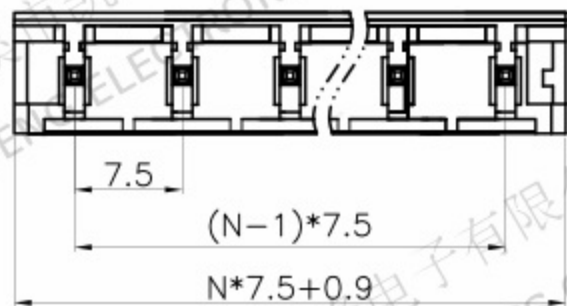


P.C.B.LAYOUT

| Pitch range | Nominal dimension range | | | | | | | | PROJECTION | TITLE | |
|--------------|-------------------------|------------------|-------|-------|-------|--------|-------|---------|--------------------|---|--|
| >0 | >6 | >10 | >0 | >30 | >60 | >100 | >150 | 0.1/10 | KF475-R-7.5-XXP-1X | | |
| ~6 | ~10 | ~24 | ~30 | ~60 | ~100 | ~150 | < | UNIT mm | | | |
| ±0.15 | ±0.20 | ±0.30 | ±0.30 | ±0.50 | ±0.70 | ±1.00 | ±1.30 | ±2' | SHEET SIZE A4 | | |
| DRAWING TYPE | | CUSTOMER DRAWING | | | | | | | | SERIES KF475 | |
| SCALE | | 1:1 | | SHEET | | 1 OF 1 | | | | 慈溪市凯峰电子有限公司 CIXI KAIFENG ELECTRONICS CO.,LTD | |
| DRAWING NO. | | W16000132 | | | | | | | | | |

KF475-V1-7.5-XXP-1X welding pin socket

| REV. | DESCRIPTION | DATE | DRAFTER | APPROVER |
|------|-------------|------------|---------|----------|
| A1 | DWG.REL | 2020.06.10 | DENG | JIN |



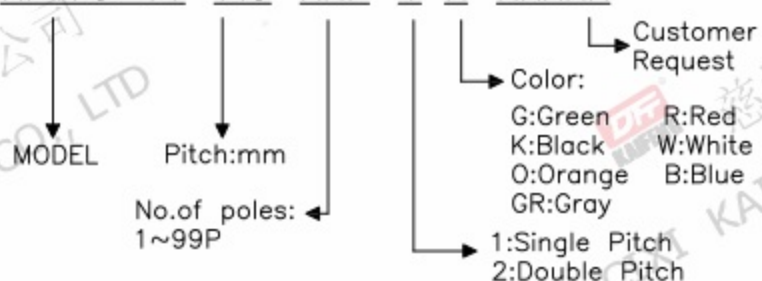
P.C.B.LAYOUT

- Material
 - ①Housing: PA66, UL94V-0
 - ②Pin header: Copper alloy, Tin plated
- Electrical

| UL | IEC |
|-------------------------------------|------|
| Rated Voltage: 300V | 630V |
| Rated Current: 15A | 16A |
| Contact Resistance: 20mΩ | |
| Insulation Resistance: 500MΩ/DC500V | |
| Withstanding Voltage: AC1500V/1Min | |
- Mechanical
 - Temperature Range: -30℃~ +105℃
 - MAX Soldering: +250℃,(5 Seconds)
- RoHS compliance

HOW TO ORDER

KF475-V1-7.5-XXP-1 X-XXXXX

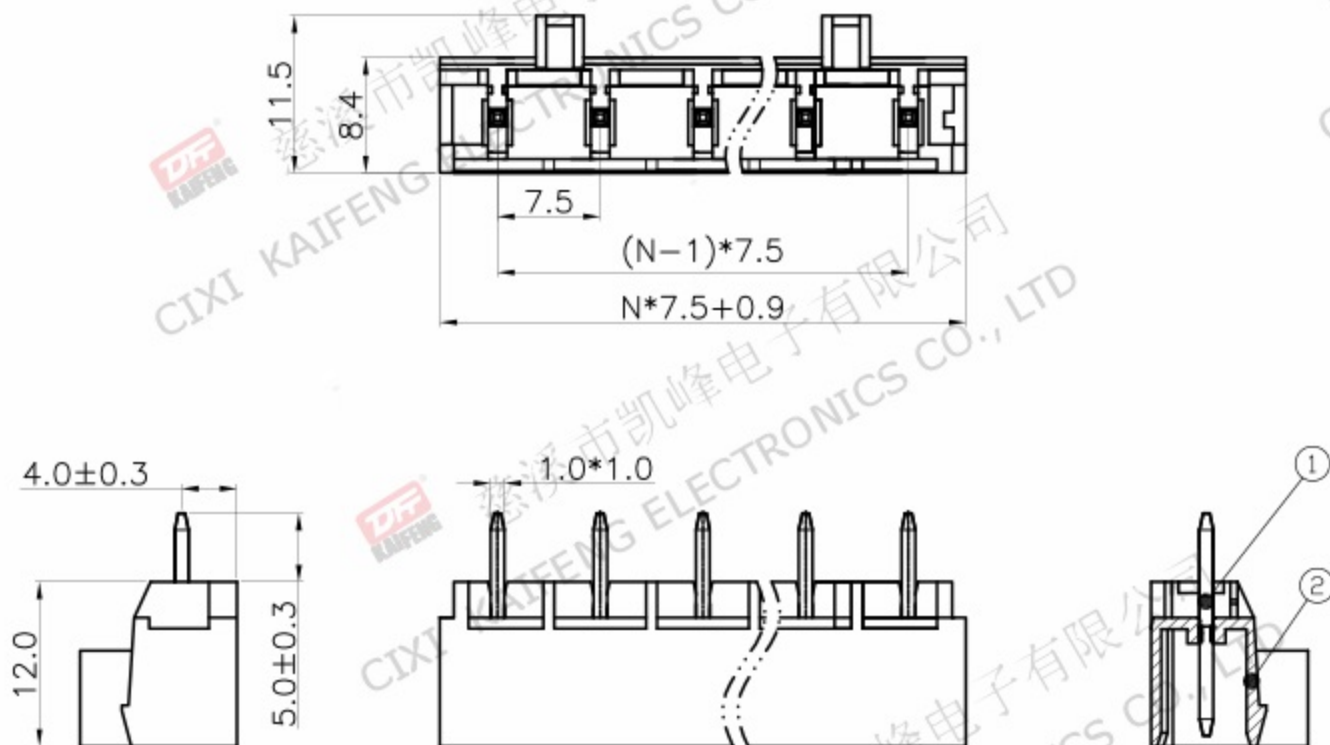


| Pitch range | Nominal dimension range | | | | PROJECTION | TITLE |
|--------------|-------------------------|------------------|-------|-------|------------|---------------------|
| >0 | >6 | >10 | >0 | >30 | 0.1/10 | KF475-V1-7.5-XXP-1X |
| ~6 | ~10 | ~24 | ~30 | ~60 | < | |
| ~6 | ~10 | ~24 | ~30 | ~60 | ~100 | |
| ~6 | ~10 | ~24 | ~30 | ~60 | ~150 | |
| ~6 | ~10 | ~24 | ~30 | ~60 | >150 | |
| ±0.15 | ±0.20 | ±0.30 | ±0.30 | ±0.50 | ±1.00 | ±1.30 |
| ±2' | | | | | | |
| DRAWING TYPE | | CUSTOMER DRAWING | | | | |
| SCALE | | 1:1 | SHEET | | 1 OF 1 | |
| DRAWING NO. | | W16000182 | | | | |

DF 慈溪市凯峰电子有限公司
CIXI KAIFENG ELECTRONICS CO.,LTD

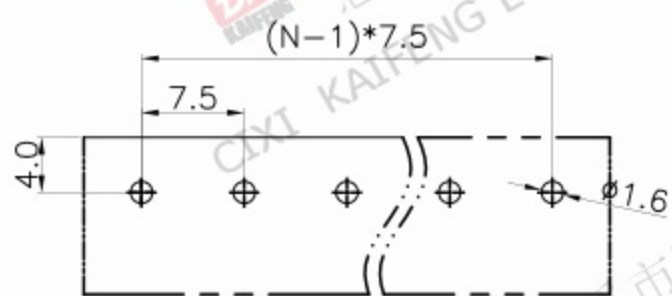
KF475-V-7.5-XXP-1X welding pin socket

| REV. | DESCRIPTION | DATE | DRAFTER | APPROVER |
|------|-------------|------------|---------|----------|
| A1 | DWG.REL | 2020.06.10 | DENG | JIN |



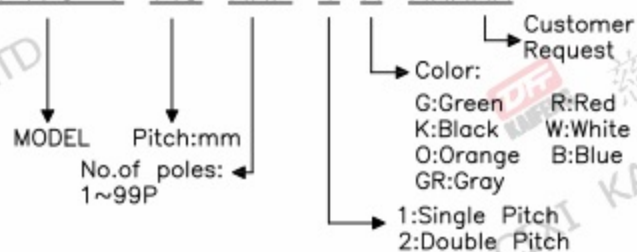
- Material
 - ①Pin header:Copper alloy,Tin plated
 - ②Housing: PA66, UL94V-0
- Electrical

| | UL | IEC |
|------------------------|--------------|------|
| Rated Voltage: | 300V | 630V |
| Rated Current: | 15A | 16A |
| Contact Resistance: | 20mΩ | |
| Insulation Resistance: | 500MΩ/DC500V | |
| Withstanding Voltage: | AC1500V/1Min | |
- Mechanical
 - Temperature Range: -30℃~ +105℃
 - MAX Soldering: +250℃,(5 Seconds)
- RoHS compliance



P.C.B.LAYOUT

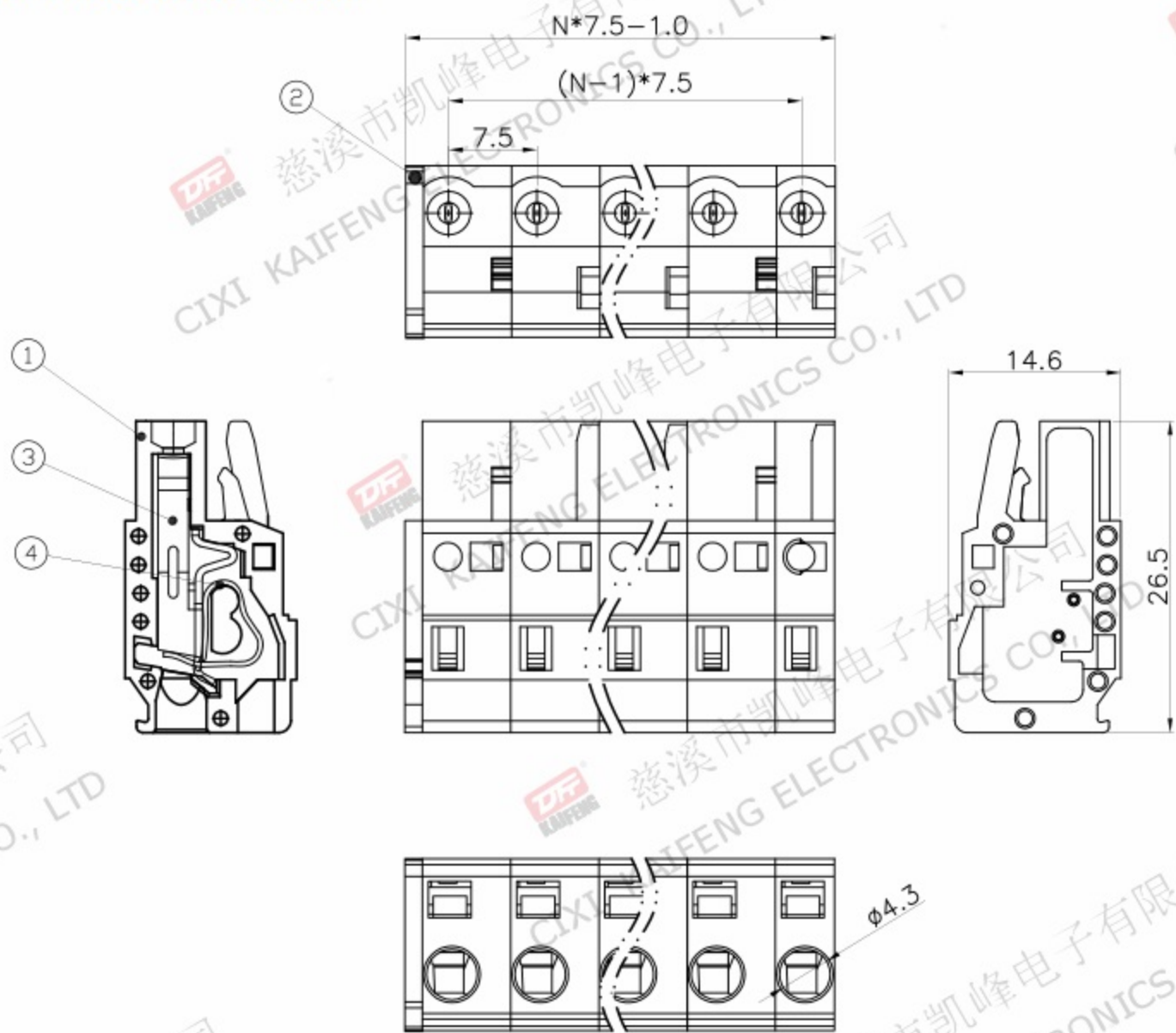
HOW TO ORDER
KF475-V-7.5-XXP-1 X-XXXXX



| Pitch range | Nominal dimension range | | | | | | | | PROJECTION | TITLE | |
|--------------|-------------------------|------------------|-------|-------|-------|--------|-------|---|--------------------|--------|-------|
| >0 | >6 | >10 | >0 | >30 | >60 | >100 | >150 | 0.1/10 | KF475-V-7.5-XXP-1X | | |
| ~6 | ~10 | ~24 | ~30 | ~60 | ~100 | ~150 | >150 | UNIT | mm | | |
| ±0.15 | ±0.20 | ±0.30 | ±0.30 | ±0.50 | ±0.70 | ±1.00 | ±1.30 | SHEET SIZE | A4 | | |
| DRAWING TYPE | | CUSTOMER DRAWING | | | | | | | | SERIES | KF475 |
| SCALE | | 1:1 | | SHEET | | 1 OF 1 | | 慈溪市凯峰电子有限公司 CIXI KAIFENG ELECTRONICS CO.,LTD | | | |
| DRAWING NO. | | W16000142 | | | | | | | | | |

KF4751-7.5-XXP-1X hole connector

| REV. | DESCRIPTION | DATE | DRAFTER | APPROVER |
|------|-------------|------------|---------|----------|
| A1 | DWG.REL | 2020.06.10 | DENG | JIN |



- Material
 - ①Housing: PA66, UL94V-0
 - ②Plastic cover: PA66, UL94V-0
 - ③Clip: Copper alloy, Silver plating
 - ④Reed:Stainless steel

- Electrical

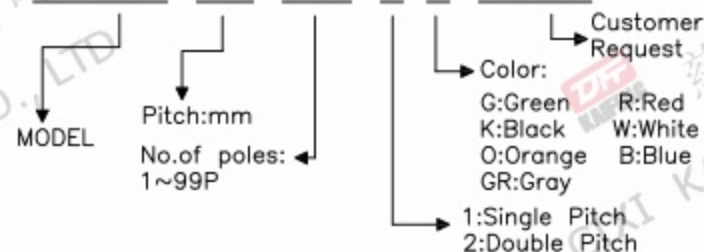
| | |
|-------------------------------------|------------------------|
| UL | IEC |
| Rated Voltage: 300V | 630V |
| Rated Current: 15A | 16A |
| Contact Resistance: 20mΩ | |
| Insulation Resistance: 500MΩ/DC500V | |
| Withstanding Voltage: AC1500V/1Min | |
| Wire range: 28-12AWG | 0.2-2.5mm ² |

- Mechanical
 - Temperature Range: -30℃~+105℃
 - MAX Soldering: +250℃,(5 Seconds)

- RoHS compliance

HOW TO ORDER

KF4751-7.5-XXP-1 X-XXXXX



| Pitch range | Nominal dimension range | | | | | | | | PROJECTION | TITLE |
|--------------|-------------------------|------------------|-------|-------|-------|--------|-------|---------|-------------------|-------|
| >0 | >6 | >10 | >0 | >30 | >60 | >100 | >150 | 0.1/10 | KF4751-7.5-XXP-1X | |
| ~6 | ~10 | ~24 | ~30 | ~60 | ~100 | ~150 | < | UNIT mm | SHEET SIZE A4 | |
| ±0.15 | ±0.20 | ±0.30 | ±0.30 | ±0.50 | ±0.70 | ±1.00 | ±1.30 | ±2' | SERIES KF4751 | |
| DRAWING TYPE | | CUSTOMER DRAWING | | | | | | | | |
| SCALE | | 1:1 | | SHEET | | 1 OF 1 | | | | |
| DRAWING NO. | | W16000172 | | | | | | | | |

DF 慈溪市凯峰电子有限公司
CIXI KAIFENG ELECTRONICS CO.,LTD