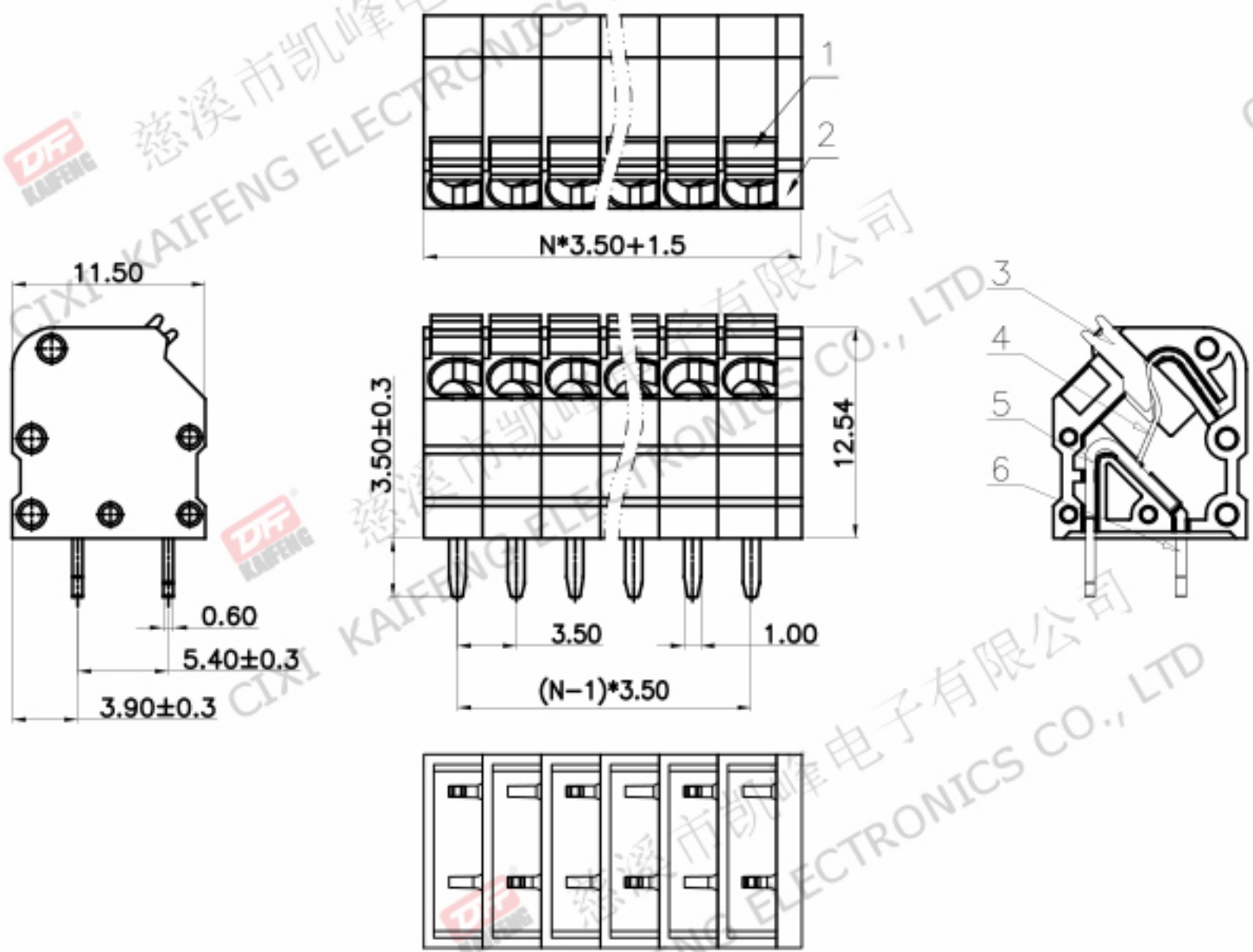


REV.	DESCRIPTION	DATE	DRAFTER	APPROVER
A1	DWG.REL	2020.05.28	DENG	JIN



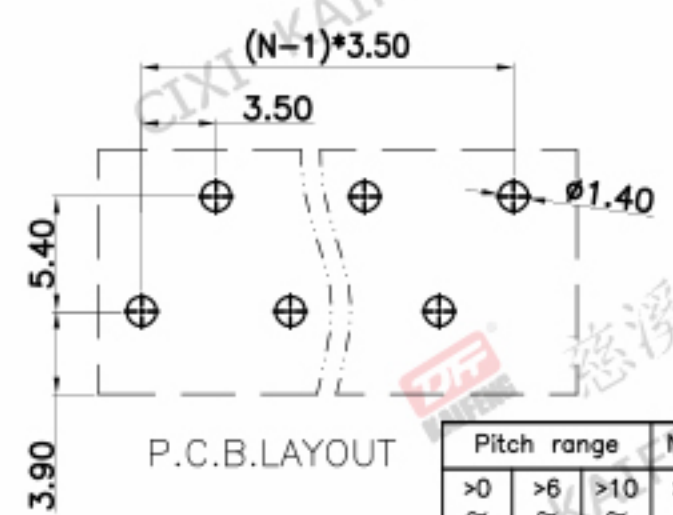
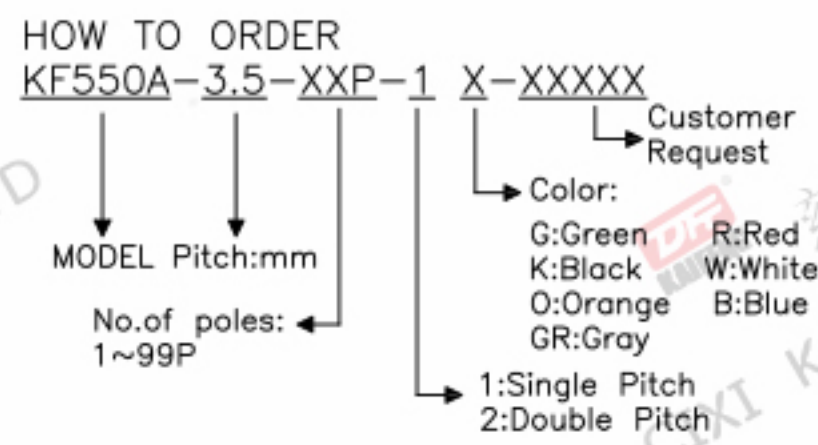
- Material
 - ØHousing : PA66, UL94V-0
 - ØCover : PA66, UL94V-0
 - ØButton : PA66, UL94V-0
 - ØReed : Stainless steel
 - ØPin header A: Copper alloy, Tin plated
 - ØPin header B: Copper alloy, Tin plated

- Electrical

	UL	IEC
Rated voltage :	300V	160V
Rated current :	9A	14A
Contact resistance :	20mΩ(Max)	
Insulation resistance:	500MΩ/DC500V	
Withstanding voltage :	AC2500V/1min	
Wire range:	26-16AWG 1.5mm ²	

- Mechanical
 - Operating temperature: -40°C ~ +105°C
 - Soldering temperature: 250°C ± 5 / 5sec
 - Strip length: 9-10mm

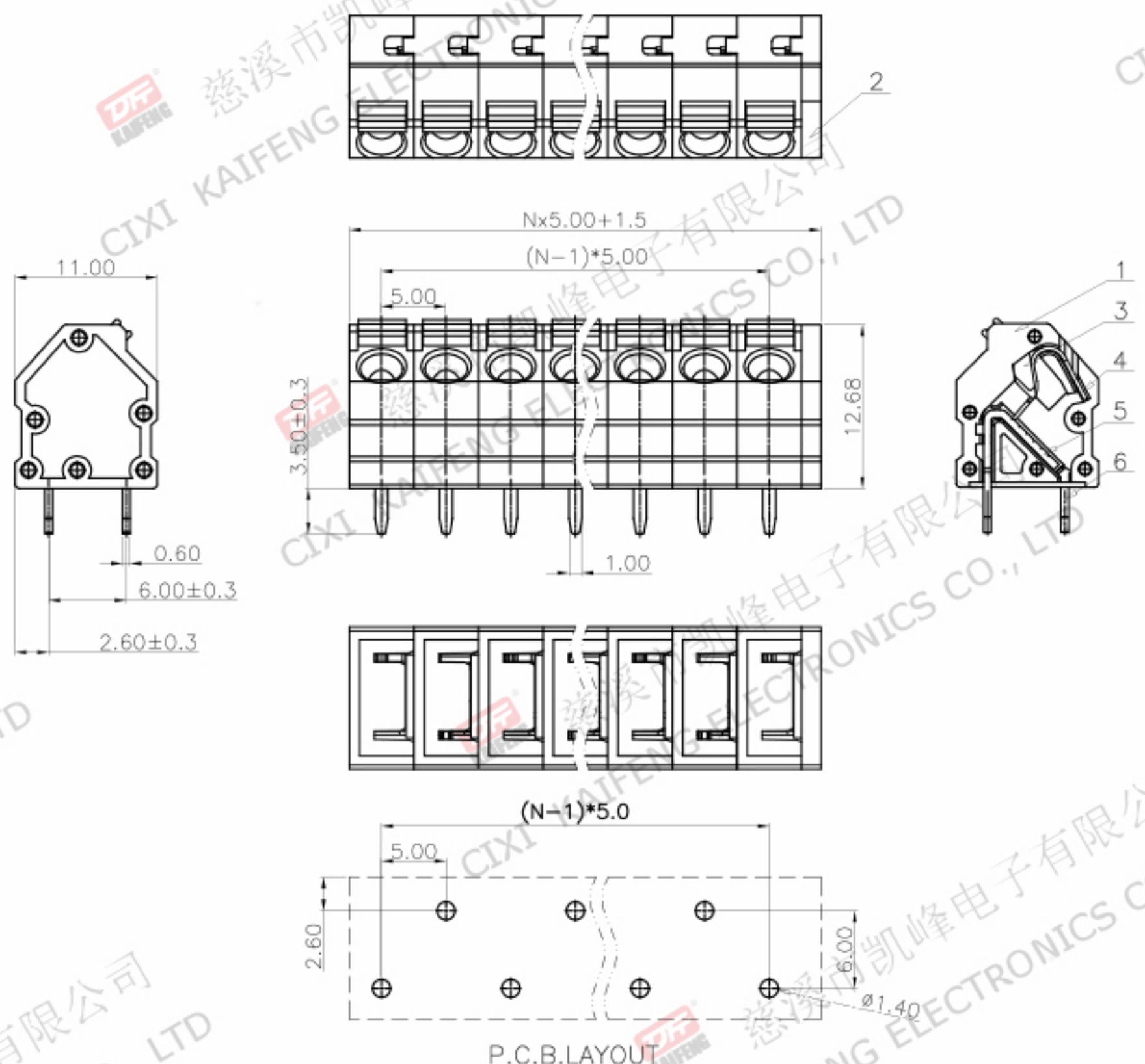
- RoHS compliance



Pitch range	Nominal dimension range							PROJECTION	TITLE
>0	>6	>10	>0	>30	>60	>100	>150	0.1/10	KF550A-3.5-XXP-1X
~6	~10	~24	~30	~60	~100	~150			SHEET SIZE A4
±0.15	±0.20	±0.30	±0.30	±0.50	±0.70	±1.00	±1.30	±2'	SERIES KF550
DRAWING TYPE		CUSTOMER DRAWING							
SCALE		1:1		SHEET		1 OF 1			
DRAWING NO.		W15000392							

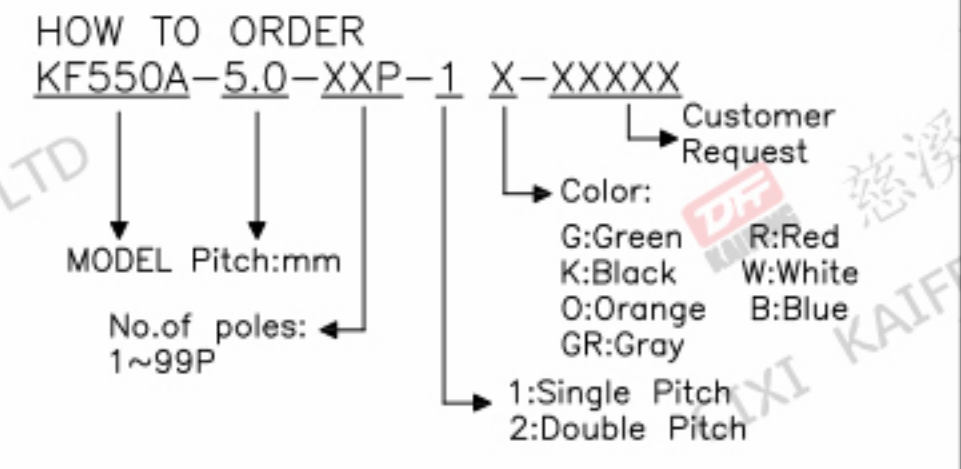
DF 慈溪市凯峰电子有限公司
CIXI KAIFENG ELECTRONICS CO.,LTD

REV.	DESCRIPTION	DATE	DRAFTER	APPROVER
A1	DWG.REL	2020.05.28	DENG	JIN



- Material
 - ①Housing : PA66, UL94V-0
 - ②Cover : PA66, UL94V-0
 - ③Button : PA66, UL94V-0
 - ④Reed : Stainless steel
 - ⑤Pin header A: Copper alloy, Tin plated
 - ⑥Pin header B: Copper alloy, Tin plated
- Electrical

UL	IEC
Rated voltage : 300V	320V
Rated current : 10A	17.5A
Contact resistance : 20mΩ(Max)	
Insulation resistance: 500MΩ/DC500V	
Withstanding Voltage : AC2000V/1min	
Wire range: 26-16AWG 1.5mm ²	
- Mechanical
 - Operating temperature: -40°C ~ +105°C
 - Soldering temperature: 250°C ± 5 / 5sec
 - Strip length: 9-10mm
- RoHS compliance



Pitch range	Nominal dimension range	PROJECTION	TITLE
>0	>0	UNIT	KF550A-5.0-XXP-1X
~6	~30	SHEET SIZE	A4
~10	~60	SERIES	KF550
~24	~100		
~30	~150		
±0.15	±1.30		
±0.20	±1.30		
±0.30	±1.30		
±0.30	±1.30		
±0.50	±1.30		
±0.70	±1.30		
±1.00	±1.30		
±1.30	±1.30		
±2'			

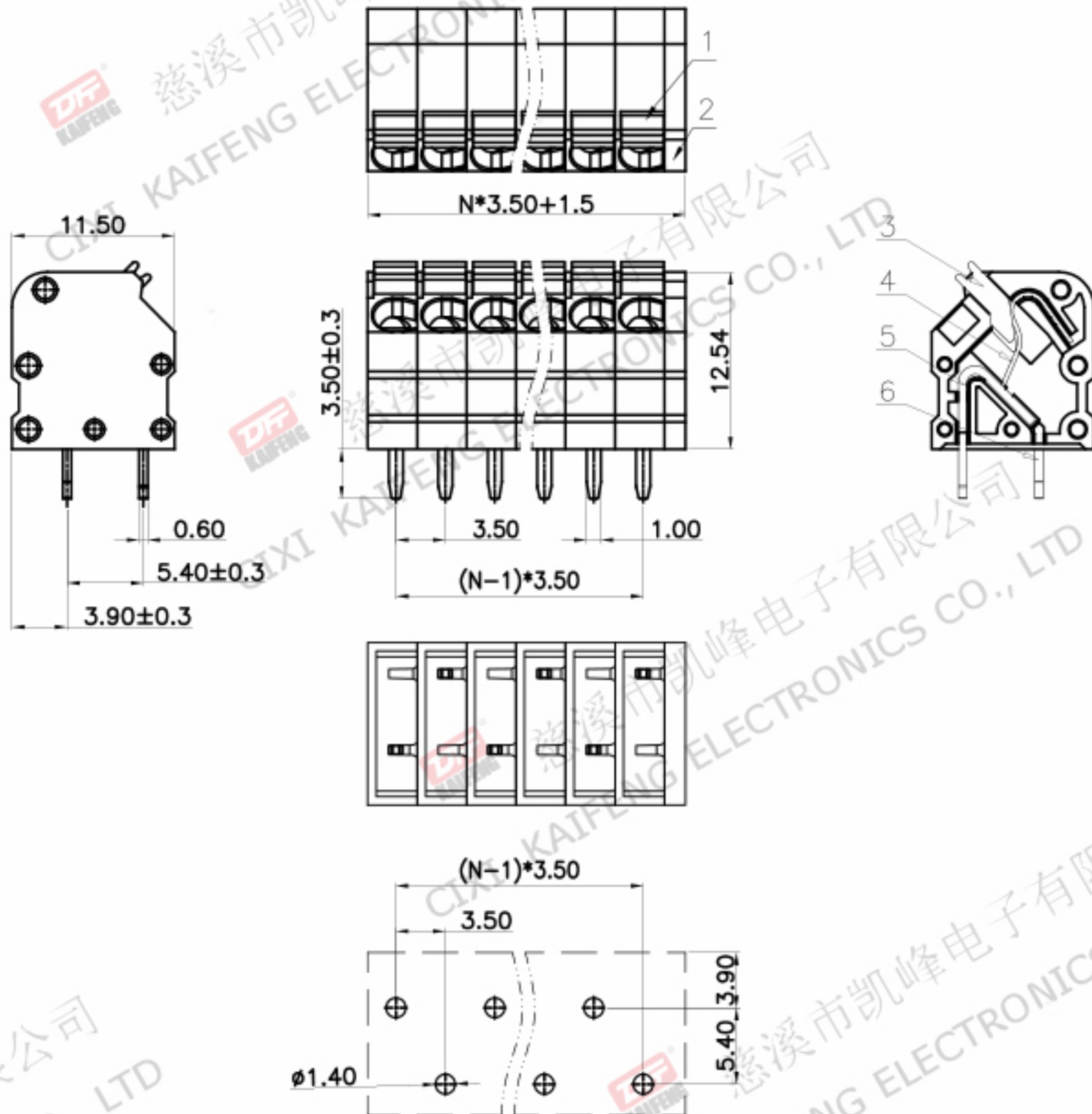
DRAWING TYPE: CUSTOMER DRAWING

SCALE: 1:1 SHEET: 1 OF 1

DRAWING NO.: W15000352

DF 慈溪市凯峰电子有限公司
CIXI KAIFENG ELECTRONICS CO.,LTD

REV.	DESCRIPTION	DATE	DRAFTER	APPROVER
A1	DWG.REL	2020.05.28	DENG	JIN



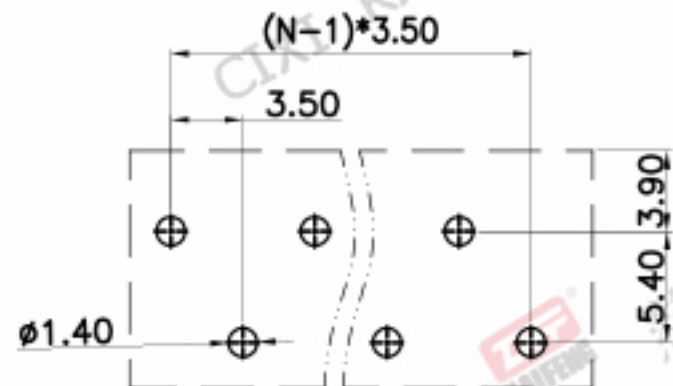
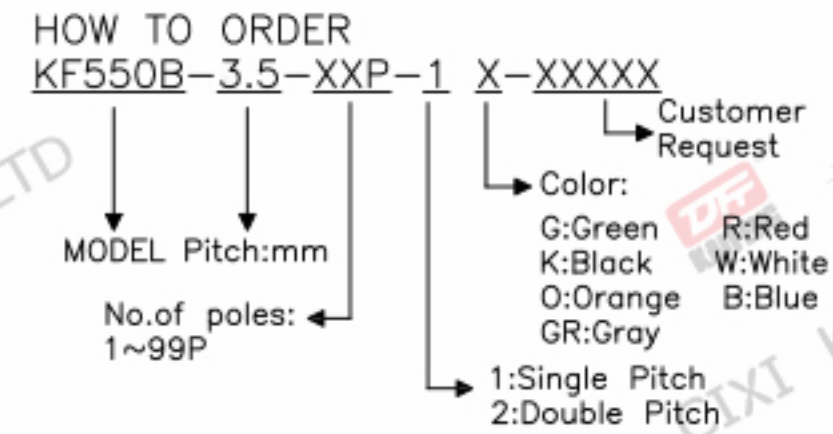
- Material
 - ①Housing : PA66, UL94V-0
 - ②Cover : PA66, UL94V-0
 - ③Button : PA66, UL94V-0
 - ④Reed : Stainless steel
 - ⑤Pin header A: Copper alloy, Tin plated
 - ⑥Pin header B: Copper alloy, Tin plated

- Electrical

UL	IEC
Rated voltage : 300V	160V
Rated current : 9A	14A
Contact resistance : 20mΩ(Max)	
Insulation resistance: 500MΩ/DC500V	
Withstanding voltage : AC2500V/1min	
Wire range: 26-16AWG 1.5mm ²	

- Mechanical
 - Operating temperature: -40°C ~ +105°C
 - Soldering temperature: 250°C ± 5 / 5sec
 - Strip length: 9-10mm

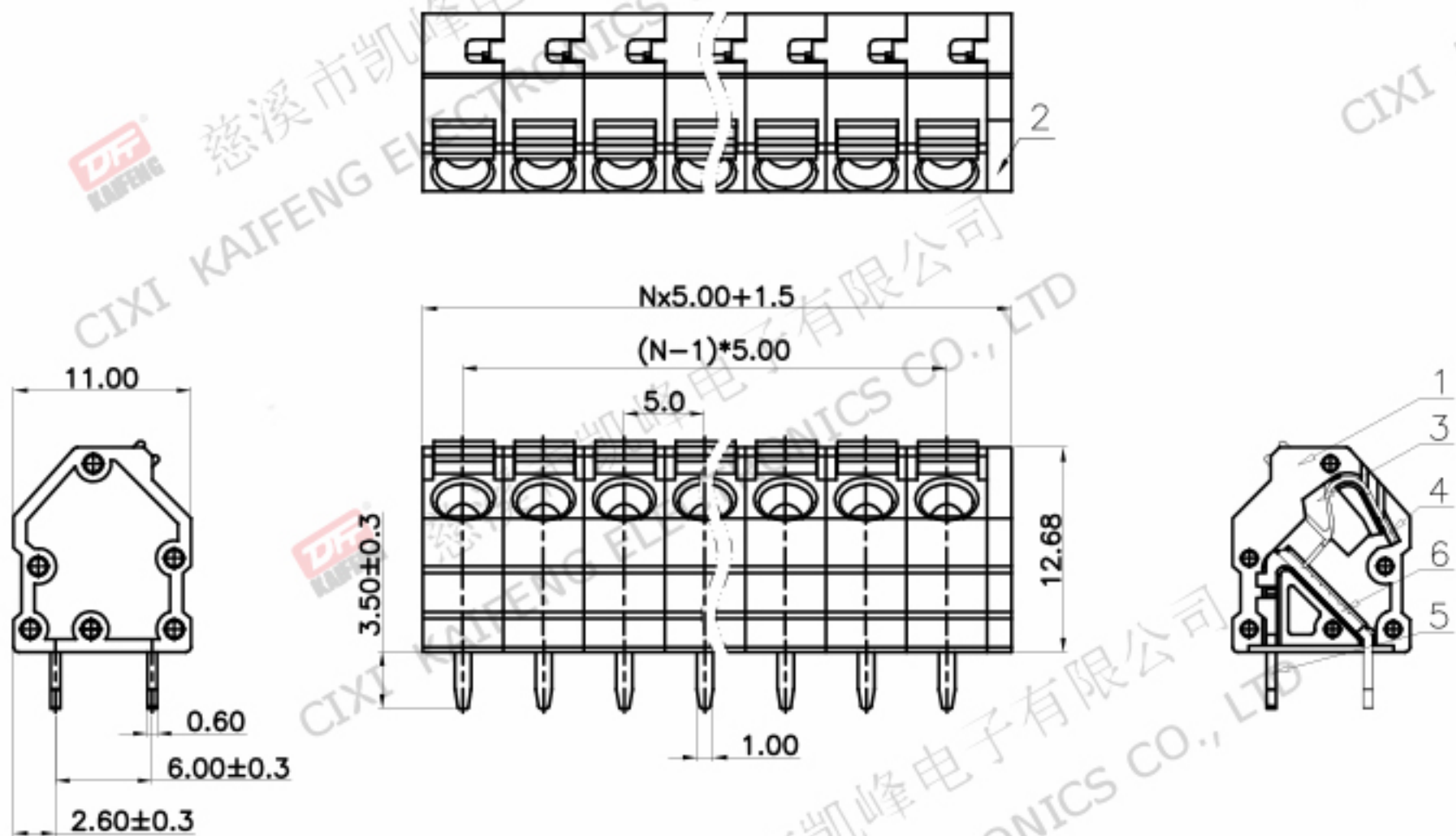
• RoHS compliance



Pitch range	Nominal dimension range							PROJECTION	TITLE
>0	>6	>10	>0	>30	>60	>100	>150	0.1/10	KF550B-3.5-XXP-1X
~6	~10	~24	~30	~60	~100	~150	>150	<	SHEET SIZE A4
±0.15	±0.20	±0.30	±0.30	±0.50	±0.70	±1.00	±1.30	±2'	SERIES KF550
DRAWING TYPE		CUSTOMER DRAWING							
SCALE		1:1		SHEET		1 OF 1			
DRAWING NO.		W15000382							

DF 慈溪市凯峰电子有限公司
 CIXI KAIFENG ELECTRONICS CO.,LTD

REV.	DESCRIPTION	DATE	DRAFTER	APPROVER
A1	DWG.REL	2020.05.16	DENG	JIN



- Material
 - ①Housing : PA66, UL94V-0
 - ②Cover : PA66, UL94V-0
 - ③Button : PA66, UL94V-0
 - ④Reed : Stainless steel
 - ⑤Pin header A: Copper alloy, Tin plated
 - ⑥Pin header B: Copper alloy, Tin plated

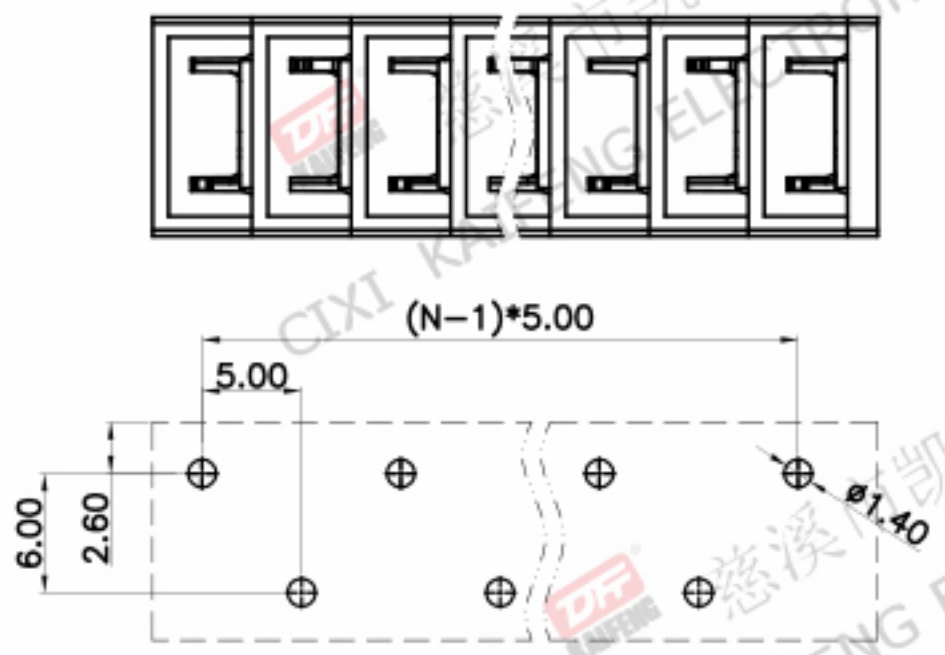
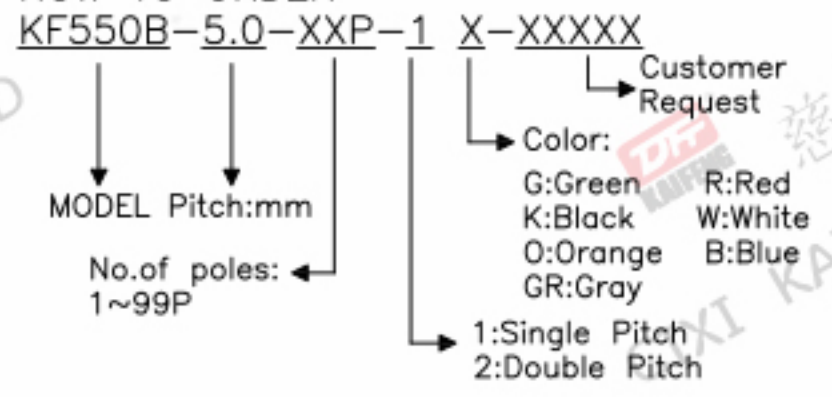
- Electrical

UL	IEC
Rated voltage : 300V	320V
Rated current : 10A	17.5A
Contact resistance : 20mΩ(Max)	
Insulation resistance: 500MΩ/DC500V	
Withstanding Voltage : AC2000V/1min	
Wire range: 26-16AWG 1.5mm ²	

- Mechanical
 - Operating temperature: -40°C ~ +105°C
 - Soldering temperature: 250°C ± 5 / 5sec
 - Strip length: 9-10mm

• RoHS compliance

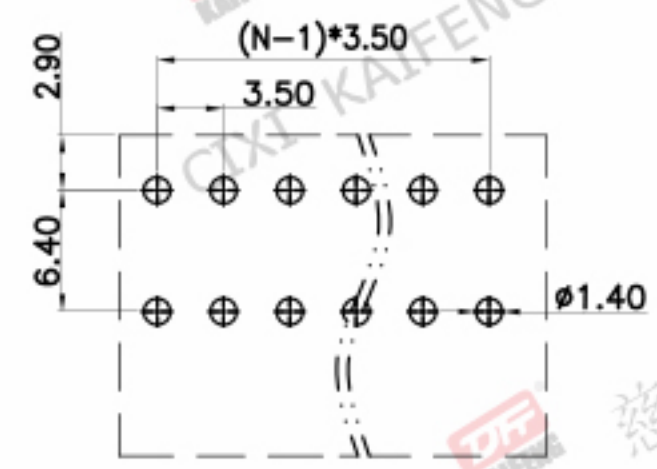
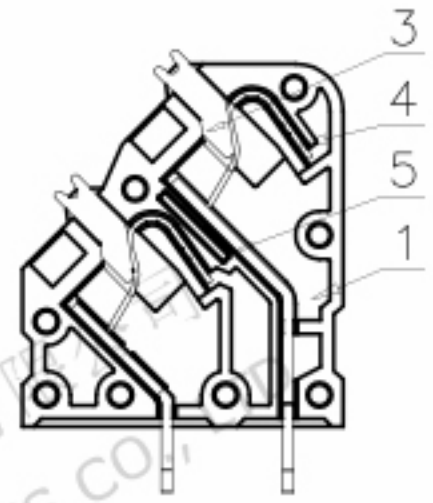
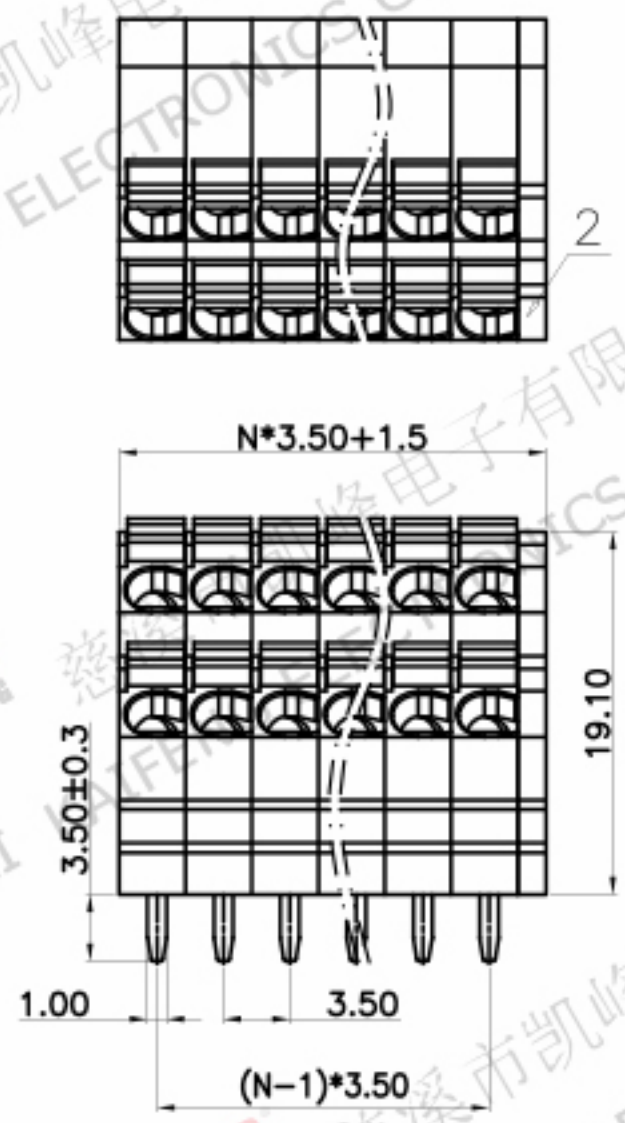
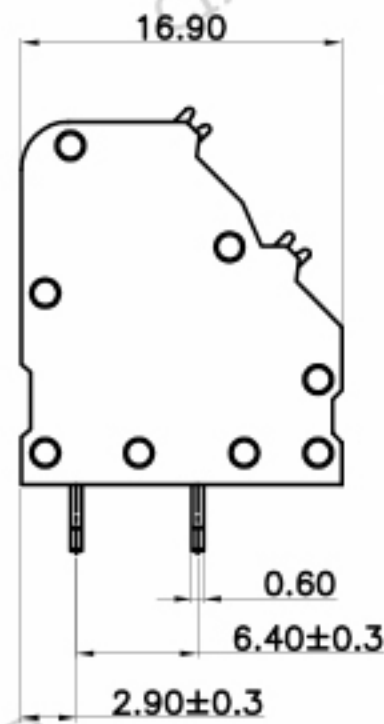
HOW TO ORDER



Pitch range	Nominal dimension range							PROJECTION	TITLE
>0	>6	>10	>0	>30	>60	>100	>150	0.1/10	KF550B-5.0-XXP-1X
~6	~10	~24	~30	~60	~100	~150	>150	<	SHEET SIZE A4
±0.15	±0.20	±0.30	±0.30	±0.50	±0.70	±1.00	±1.30	±2'	SERIES KF550
DRAWING TYPE		CUSTOMER DRAWING							
SCALE		1:1		SHEET		1 OF 1			
DRAWING NO.		W15000362							

DF 慈溪市凯峰电子有限公司
CIXI KAIFENG ELECTRONICS CO.,LTD

REV.	DESCRIPTION	DATE	DRAFTER	APPROVER
A1	DWG.REL	2020.05.28	DENG	JIN



P.C.B.LAYOUT

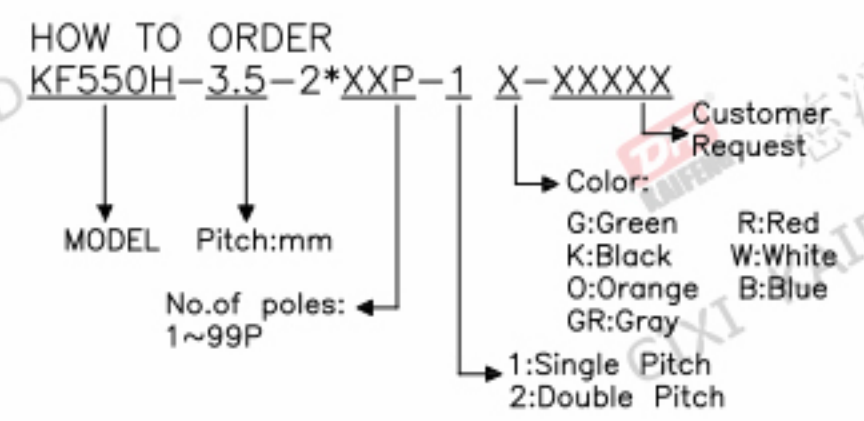
- Material
 - ①Housing : PA66, UL94V-0
 - ②Cover : PA66, UL94V-0
 - ③Button : PA66, UL94V-0
 - ④Reed : Stainless steel
 - ⑤Pin header : Copper alloy, Tin plated

- Electrical

UL	IEC
Rated voltage : 300V	320V
Rated current : 9A	14A
Contact resistance : 20mΩ(Max)	
Insulation resistance: 500MΩ/DC500V	
Withstanding voltage : AC2500V/1min	
Wire range: 26-16AWG	1.5mm ²

- Mechanical
 - Operating temperature: -40°C ~ +105°C
 - Soldering temperature: 250°C ± 5/5sec
 - Strip length: 9-10mm

- RoHS compliance

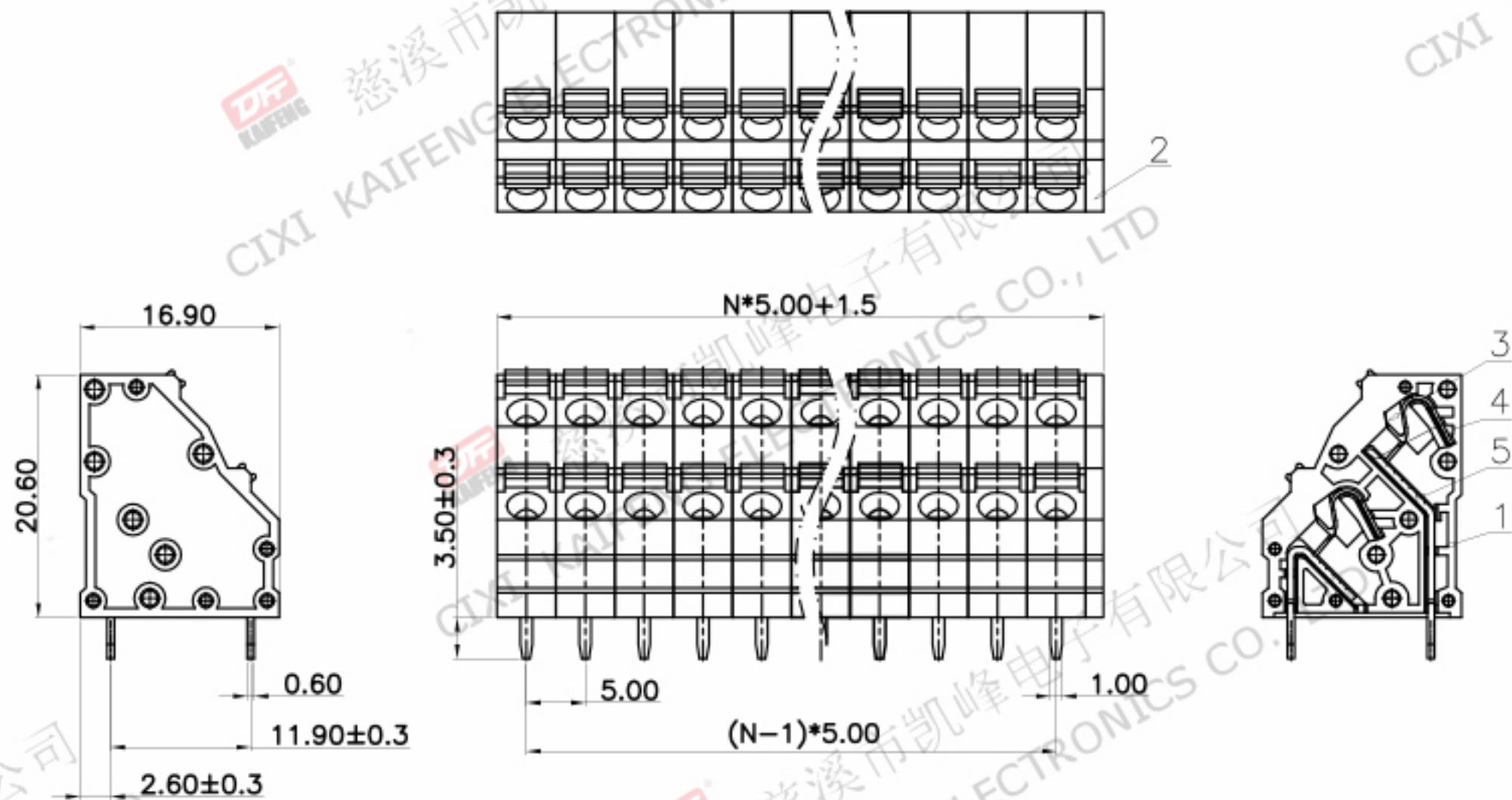


Pitch range	Nominal dimension range							PROJECTION	TITLE
>0	>6	>10	>0	>30	>60	>100	>150	UNIT	mm
~6	~10	~24	~30	~60	~100	~150	>150	SHEET SIZE	A4
±0.15	±0.20	±0.30	±0.30	±0.50	±0.70	±1.00	±1.30	±2'	
DRAWING TYPE		CUSTOMER DRAWING							
SCALE		1:1		SHEET		1 OF 1			
DRAWING NO.		W15000372							

PROJECTION	TITLE
UNIT	KF550H-3.5-2*XXP-1X
SHEET SIZE	SERIES
A4	KF550

DF 慈溪市凯峰电子有限公司
CIXI KAIFENG ELECTRONICS CO.,LTD

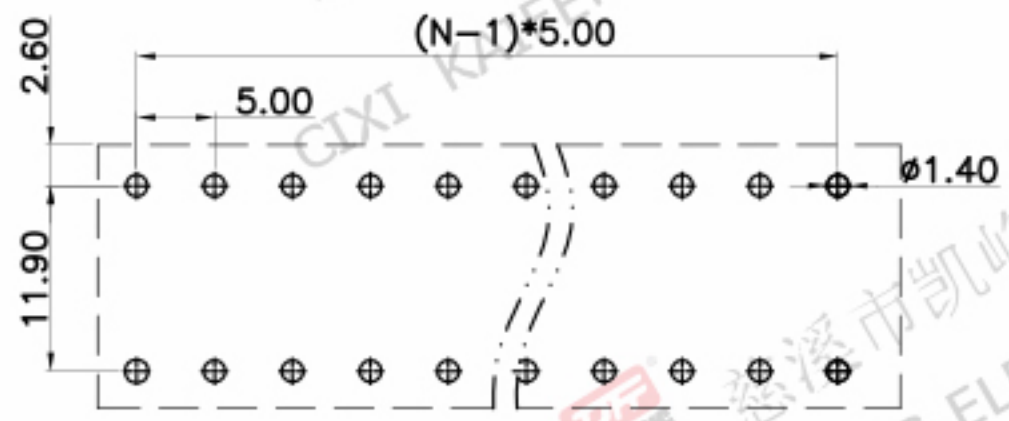
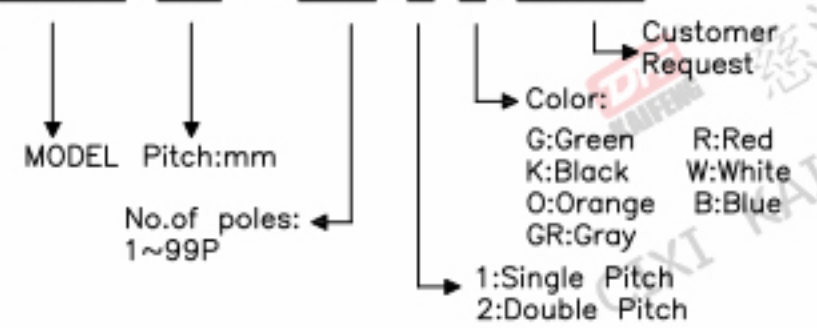
REV.	DESCRIPTION	DATE	DRAFTER	APPROVER
A1	DWG.REL	2020.05.28	DENG	JIN



- Material
 - ①Housing : PA66, UL94V-0
 - ②Cover : PA66, UL94V-0
 - ③Button : PA66, UL94V-0
 - ④Reed : Stainless steel
 - ⑤Pin header: Copper alloy, Tin plated
- Electrical

UL	IEC
Rated voltage : 300V	320V
Rated current : 10A	17.5A
Contact resistance : 20mΩ(Max)	
Insulation resistance: 500MΩ/DC500V	
Withstanding Voltage : AC2000V/1min	
Wire range: 26-16AWG	1.5mm ²
- Mechanical
 - Operating temperature: -40°C ~ +105°C
 - Soldering temperature: 250°C ± 5 / 5sec
 - Strip length: 9-10mm
- RoHS compliance

HOW TO ORDER
 KF550H-5.0-2*XXP-1 X-XXXXX



P.C.B. LAYOUT

Pitch range	Nominal dimension range							PROJECTION	TITLE
>0	>6	>10	>0	>30	>60	>100	>150	UNIT	mm
~6	~10	~24	~30	~60	~100	~150	<	SHEET SIZE	A4
±0.15	±0.20	±0.30	±0.30	±0.50	±0.70	±1.00	±1.30	SERIES	KF550
DRAWING TYPE		CUSTOMER DRAWING							
SCALE		1:1		SHEET		1 OF 1			
DRAWING NO.		W15000342							


慈溪市凯峰电子有限公司
 CIXI KAIFENG ELECTRONICS CO.,LTD