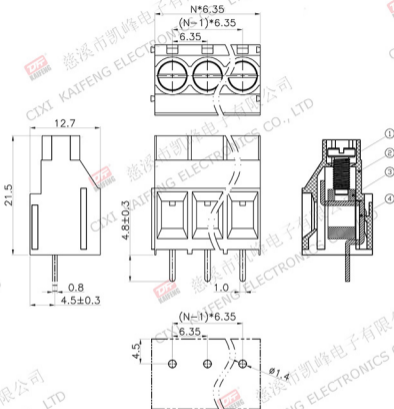


REV.	DESCRIPTION	DATE	DRAFTER	APPROVER
A1	DWG.REL	2020.05.22	DENG	JIN



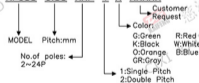
- Material
 - ØScrews : M3.0 steel, Zinc plated, *- slot type
 - ØHousing : PA66, UL94V-0
 - ØClamp : Copper alloy, Ni plated
 - ØPin header : Copper alloy, Tin plated

- Electrical
 - UL IEC
 - Rated voltage : 300V 450V
 - Rated current : 30A 41A
 - Contact Resistance: 20mΩ
 - Insulation resistance: 500MΩ/DC500V
 - Withstanding Voltage : AC3000V/1min
 - Wire range : 26-10AWG 6.0mm²

- Mechanical
 - Operating temperature: -40℃ ~ +105℃
 - Soldering temperature: 250℃ ± 5/5sec
 - Torque: 0.5N.m (4.43Lb.in)
 - Strip length: 6-7mm

- RoHS compliance

HOW TO ORDER
KF635-6.35-XXP-1 X-XXXXX



P.C.B. LAYOUT

Pitch range		Nominal dimension range				PROJECTION	TITLE
>0	>6	>10	>0	>30	>60	>100	6.1/10
6	10	24	30	60	100	150	<
±0.15	±0.20	±0.30	±0.30	±0.50	±0.70	±1.00	±1.30
							±2
DRAWING TYPE		CUSTOMER DRAWING					
SCALE		1:1 SHEET 1 OF 1					
DRAWING NO.		W15000792					

PROJECTION

UNIT

mm

TITLE KF635-6.35-XXP-1X

SHEET SIZE

A4

SERIES KF635

DF

慈溪市凯峰电子有限公司
CIXI KAIFENG ELECTRONICS CO.,LTD