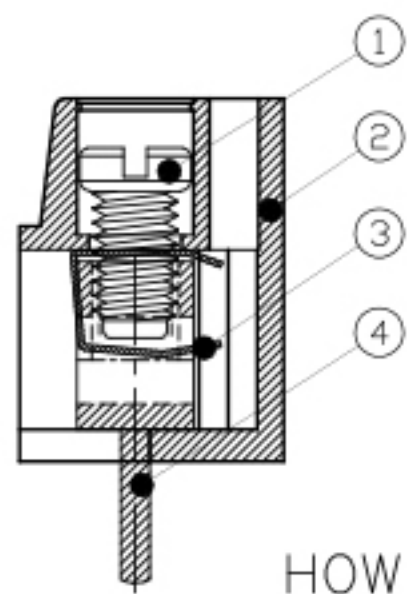
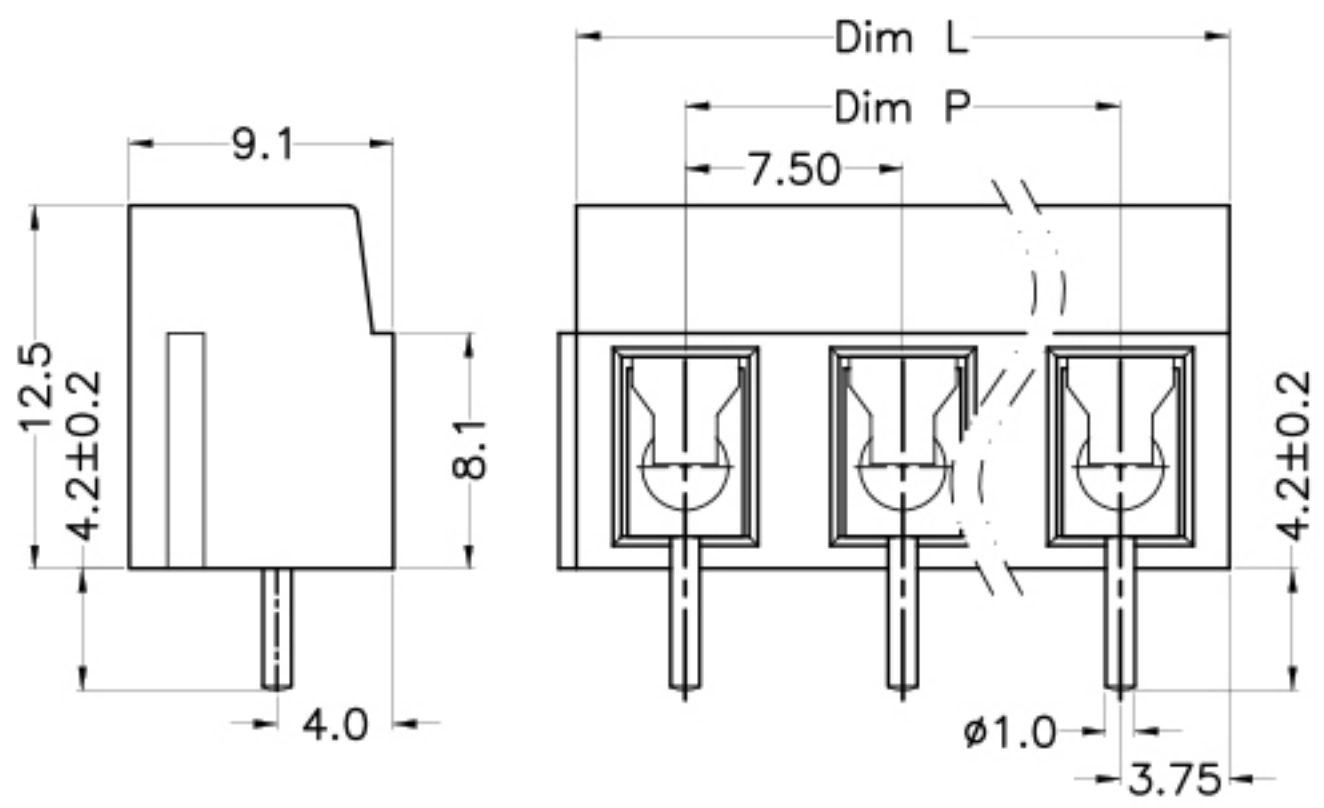
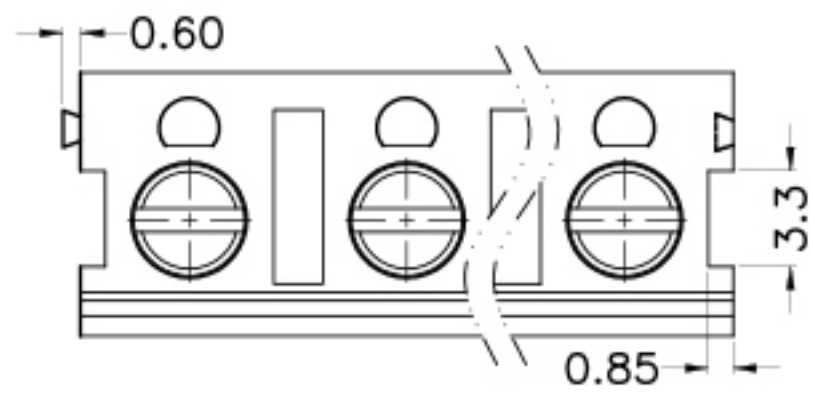


REV.	DESCRIPTION	DATE	DRAWN	APPROVED
A1	DWG.REL	2016/10/7	FANG	YANG

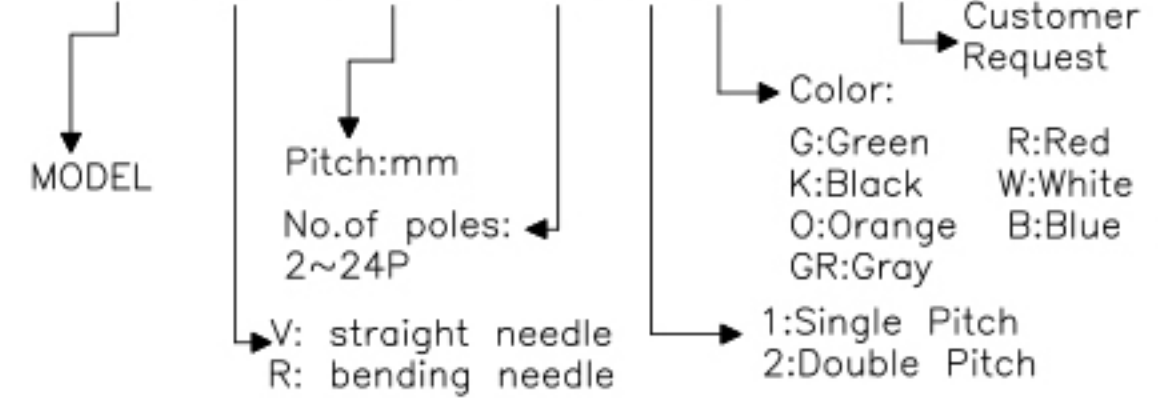


- Material
 - ①Screws : M3.0 steel, Zinc plated, "-*slot type
 - ②Housing : PA66, UL94V-0
 - ③Reed : Phosphor bronze, Ni plated or stainless steel
 - ④Pin header : Brass, Tin plated
- Electrical

UL	IEC
Rated voltage : 300V	450V
Rated current : 12A	24A
Insulation resistance: 500MΩ/DC500V	
Withstanding Voltage : AC2500V/1min	
Wire range: 22-14AWG 2.5mm ²	
- Mechanical
 - Operating temperature: -30℃~+120℃
 - Soldering temperature: 250℃±5/5sec
 - Torque: 0.5N.m (4.43Lb.in)
 - Strip length: 4.5-5mm

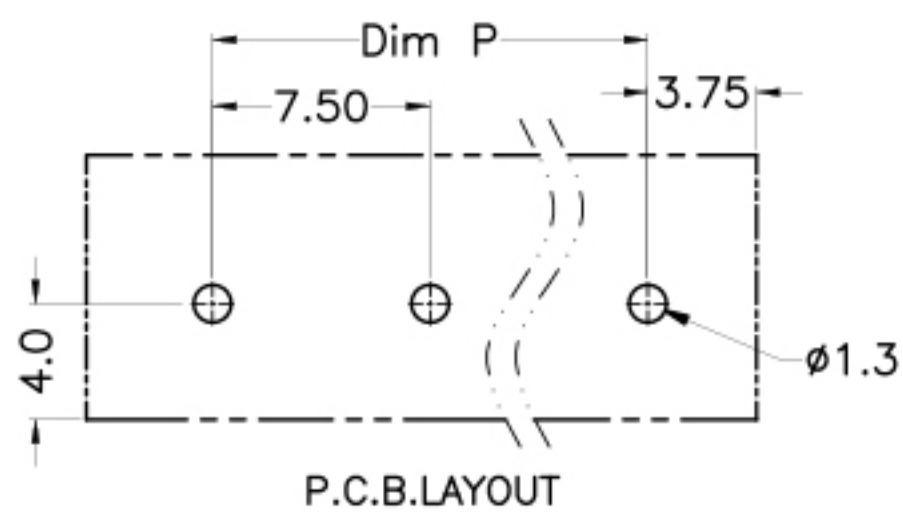
HOW TO ORDER

KF705 V -7.5-XXP-1 X-XXXXX



N=Number of Poles
 Dim P=(N-1)x7.50
 Dim L=Nx7.50

Poles	Dim P	Dim L
2-6P	±0.10	±0.15
7-12P	±0.20	±0.20
13-18P	±0.25	±0.30
19-24P	±0.30	±0.40



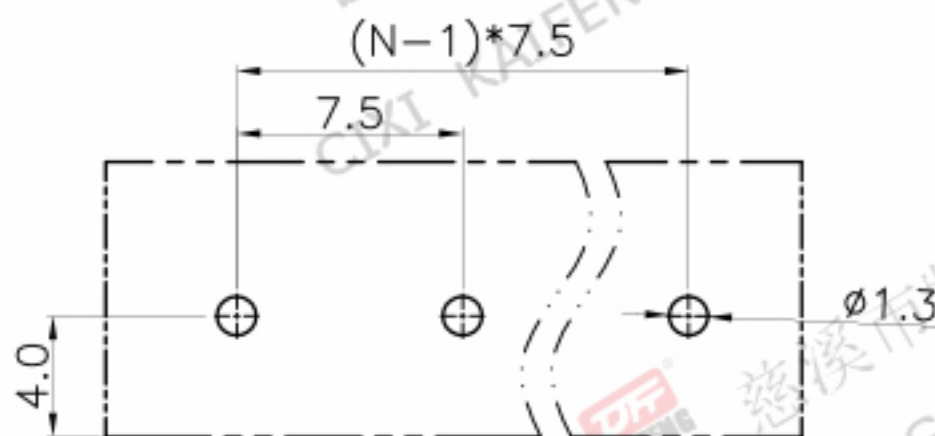
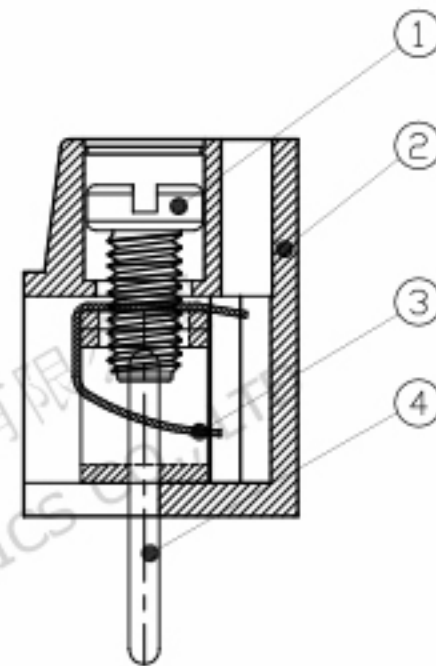
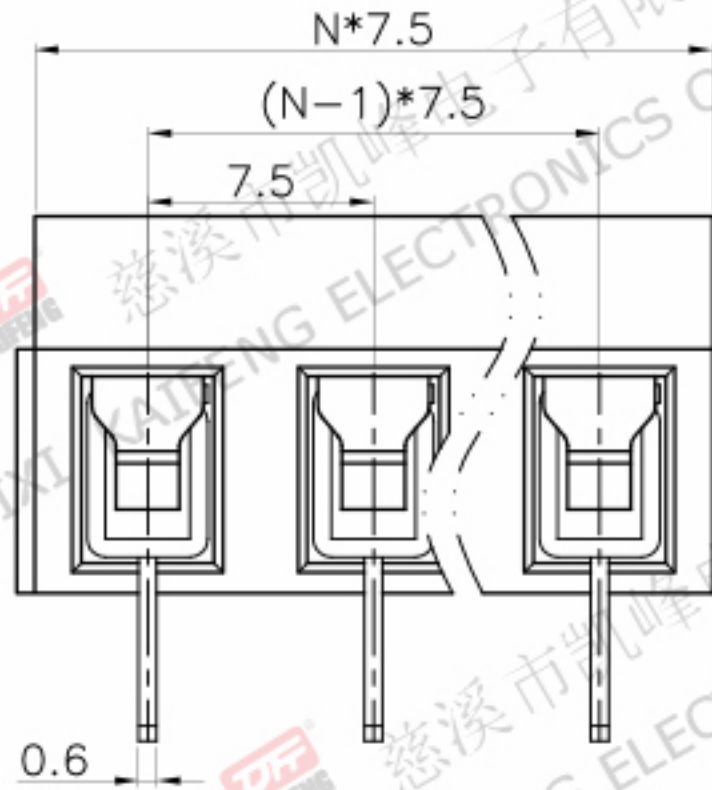
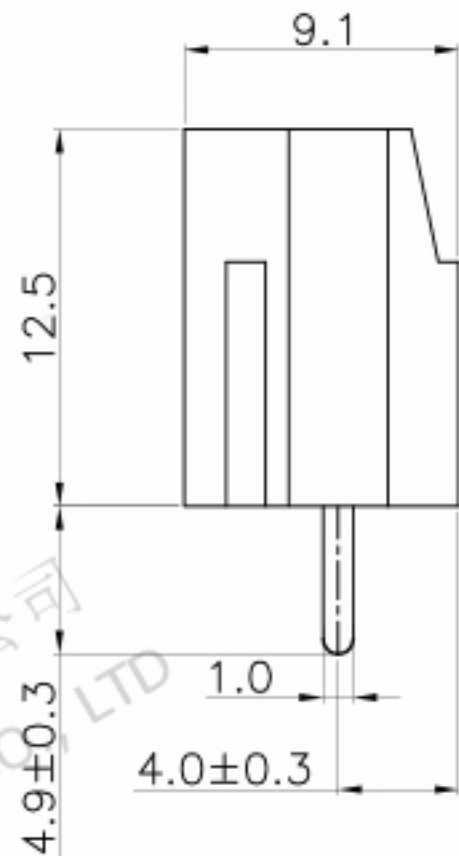
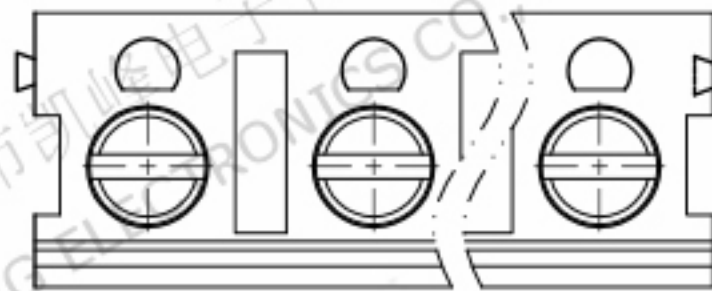
GENERAL TOLERANCE		ANGLE TOLERANCE	
X.	±0.5	X'	±5'
.X	±0.3	.X'	±3'
.XX	±0.1	.XX'	±1'

PROJECTION	TITLE
UNITS	mm
SHEET SIZE	A4
SERIES	KF705V

DRAWING TYPE	CUSTOMER
SCALE	1:1 SHEET 1 OF 1
DRAWING NO.	XP0012016-xxxx

DF 慈溪市凯峰电子有限公司
 KAIFENG ELECTRONIC CIXI KAIFENG ELECTRONIC CO.LTD

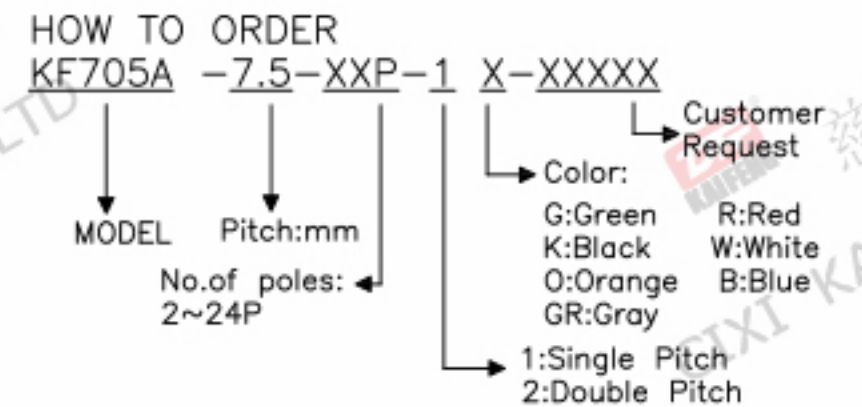
REV.	DESCRIPTION	DATE	DRAFTER	APPROVER
A1	DWG.REL	2020.05.18	DENG	JIN



P.C.B.LAYOUT

- Material
 - ØScrews : M2.5 steel, Zinc plated, *-*slot type
 - ØHousing : PA66, UL94V-0
 - ØReed : Copper alloy, Ni plated or stainless steel
 - ØPin header : Copper alloy, Tin plated
- Electrical

	UL	IEC
Rated voltage :	300V	450V
Rated current :	12A	24A
Contact resistance :	20mΩ(Max)	
Insulation resistance:	500MΩ/DC500V	
Withstanding Voltage :	AC2500V/1min	
Wire range:	22-14AWG	2.5mm ²
- Mechanical
 - Operating temperature: -30°C ~ +120°C
 - Soldering temperature: 250°C ± 5/5sec
 - Torque: 0.4N.m (3.54Lb.in)
 - Strip length: 4.5-5mm
- RoHS compliance



Pitch range	Nominal dimension range							PROJECTION	TITLE
>0	>6	>10	>0	>30	>60	>100	>150	UNIT	mm
~6	~10	~24	~30	~60	~100	~150	>150	SHEET SIZE	A4
±0.15	±0.20	±0.30	±0.30	±0.50	±0.70	±1.00	±1.30	DRAWING TYPE	CUSTOMER DRAWING
SCALE		1:1		SHEET		1 OF 1		DRAWING NO.	
				W15000302					

PROJECTION	TITLE
mm	KF705A-7.5-XXP-1X
SHEET SIZE	SERIES
A4	KF705

DF 慈溪市凯峰电子有限公司
CIXI KAIFENG ELECTRONICS CO.,LTD