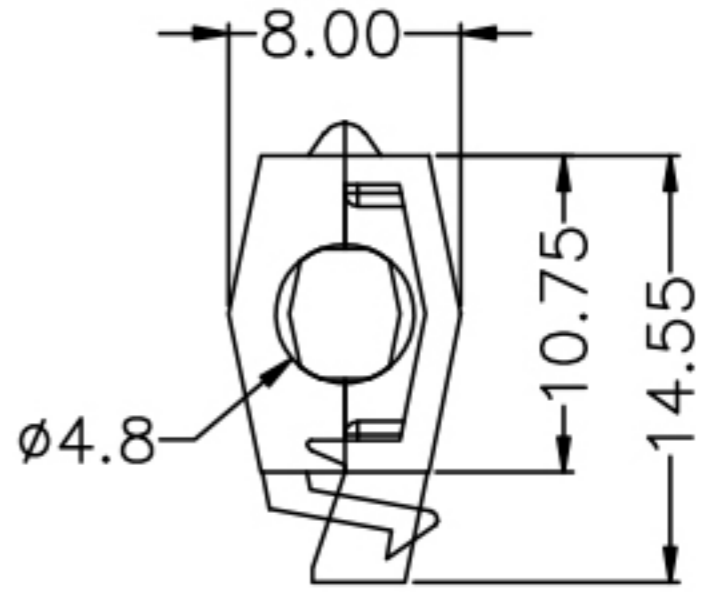
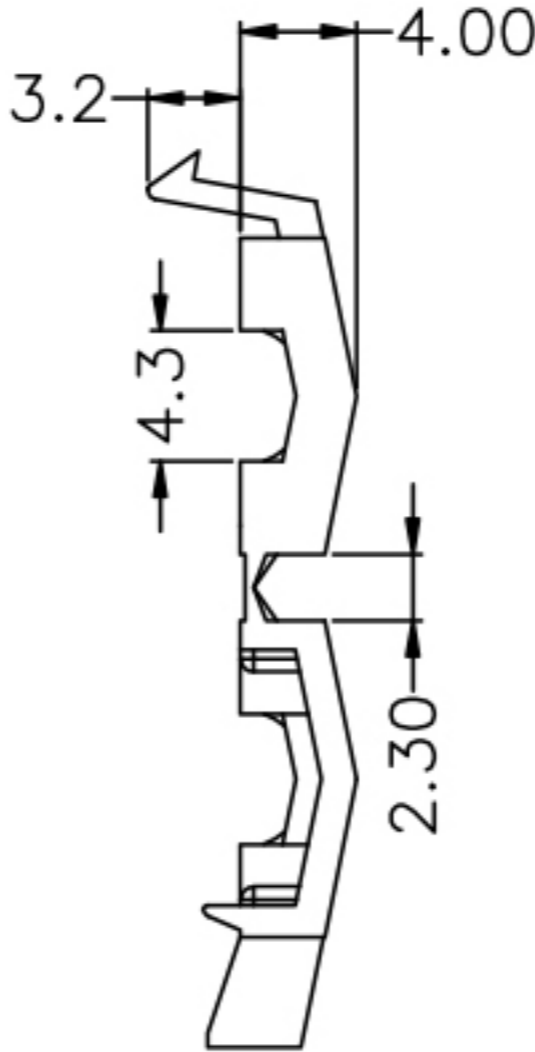
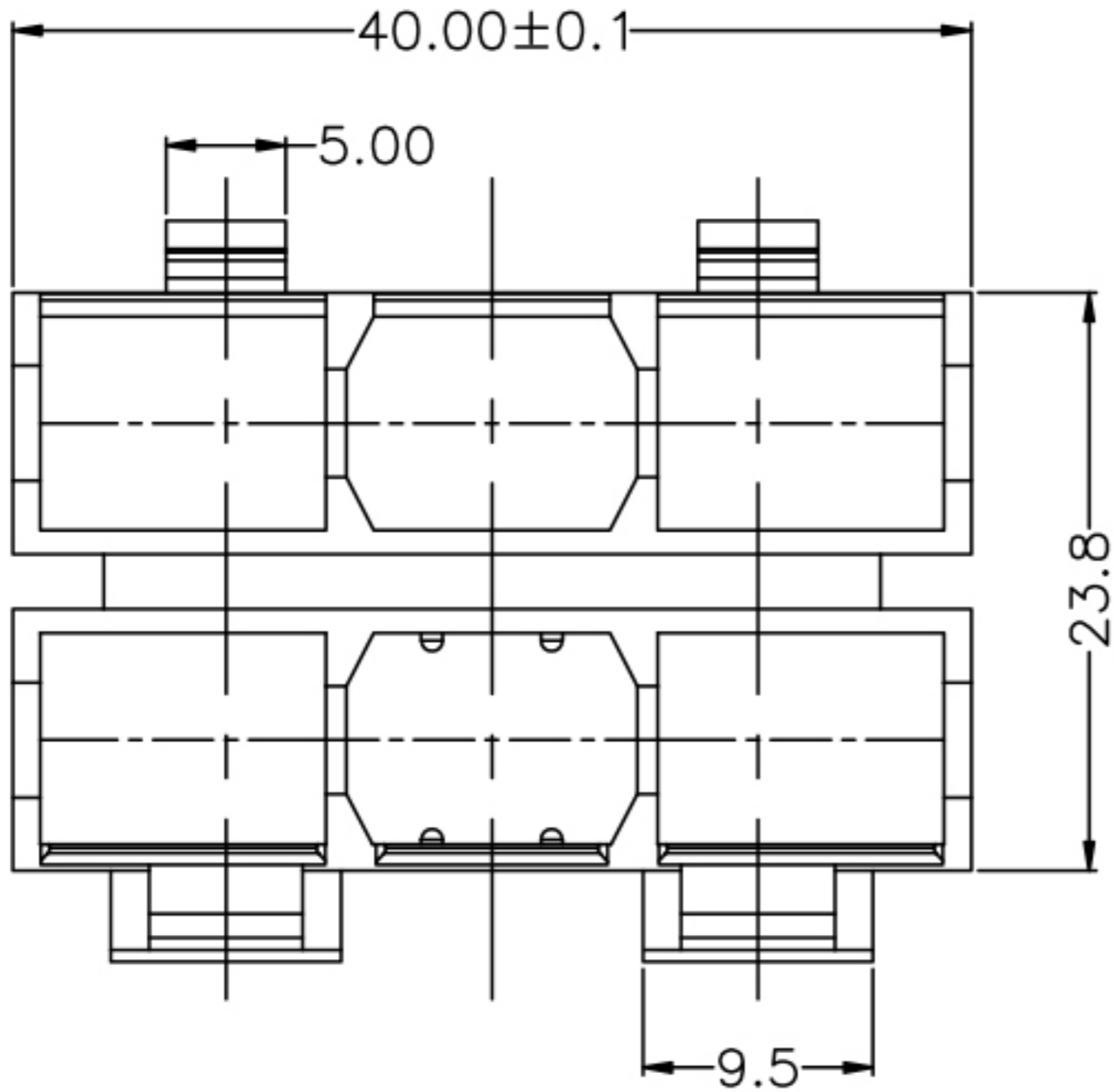


REV.	DESCRIPTION	DATE	DRAWN	APPROVED
A1	DWG.REL	2016/10/7	FANG	YANG



HOW TO ORDER
KFC1 X-XXXXX

MODEL Color: Customer Request

G:Green R:Red
K:Black W:White
O:Orange B:Blue
GR:Gray

• Material
Housing: PP

GENERAL TOLERANCE		ANGLE TOLERANCE		PROJECTION		TITLE	KFC1
X.	±0.5	X'	±5'	UNITS	mm	SERIES	KFC1
.X	±0.3	.X'	±3'	SHEET SIZE	A4		
.XX	±0.1	.XX'	±1'	慈溪市凯峰电子有限公司 CIXI KAIFENG ELECTRONIC CO.LTD			
DRAWING TYPE	CUSTOMER						
SCALE	1:1	SHEET	1 OF 1				
DRAWING NO.	XP0012016-xxxx						