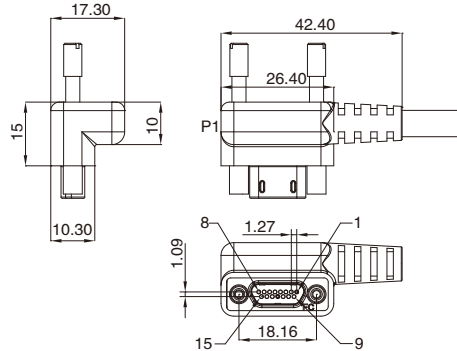


## Micro D-Sub Molded Cable, Right angled

- Connector series: Micro D-sub
  - Gender: Female
  - Locking type: Fix screw
  - Mounting type: Right angled
  - Part No.: DBW15FA-XXXXXX
- X refers to cable specification



RoHS

### General information

Ambient temperature:	-20°C ~ +80°C
Connector insert:	PBT
Connector contacts:	Brass gold plated
Connector nut/screw:	Brass nickel plated

Insulation resistance:	≥ 100MΩ
Contact resistance :	≤ 5mΩ
Shielding:	Available

### Electrical data & Mechanical data

Contacts	Rated current	Voltage		Wire gauge / size		Cable jacket	Part No.
		A/C	D/C	AWG	mm <sup>2</sup>		
Micro D-sub  15P	1A	350V	350V	26~28	0.08~0.15	PUR/PVC	DBW15FA- <u>XXX</u> B15

Note: X refers to cable specification

### Remarks

- Please refer to Page 578 for the Conversion between American Wire Gauge AWG and Wire Cross-section mm<sup>2</sup>.
- Please refer to Page 449 for products' part number encoding rule.