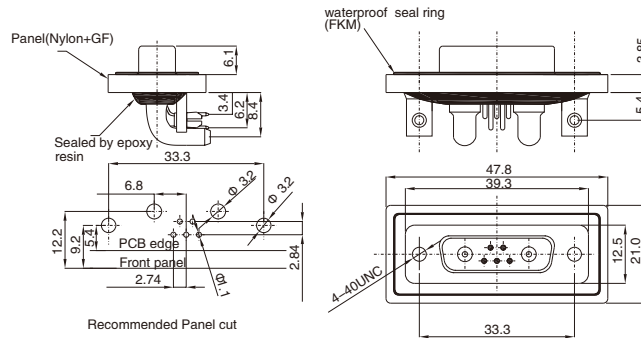


## D-Sub Male Panel mount, Angled Contacts PCB type

- Connector series: D-Sub
- Gender: Male
- Locking type: Fix screw
- Mounting type: Front fastened
- Part No.: DBW7W2MANB-A



### General information

Ambient temperature:	-20°C ~ +70°C
Connector insert:	PBT+GF
Connector contacts:	Brass gold plated
Coupling nut/screw:	Brass nickel plated
Seal / O-ring:	FKM

Insulation resistance:	≥ 1000MΩ
Contact resistance :	≤ 10mΩ
Shielding:	Unavailable
Mating cycles:	> 1000
IP rating:	IP67 in locked condition

### Electrical data & Mechanical data

Contacts	Contacts termination	Rated current	Voltage		Part No.
			A/C	D/C	
D-Sub  7W2	PCB version	(PinA1&A2)30A	300V	300V	DBW7W2MANB-A
	PCB version	(Pin1~5)5A	300V	300V	

### Remarks

- Please refer to Page 449 for products' part number encoding rule.