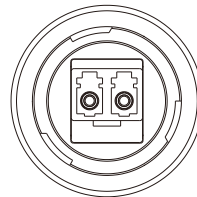
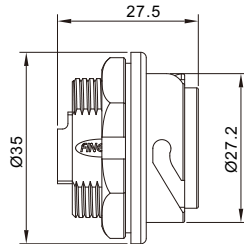


Optical Fiber Panel Type LC Adapter Connector

- Connector series: LC
- Gender: Jack
- Mating Style: 3 Points Lock Bayonet
- Mounting type: Rear fastened
- Part No.: FB-WMLCPQ



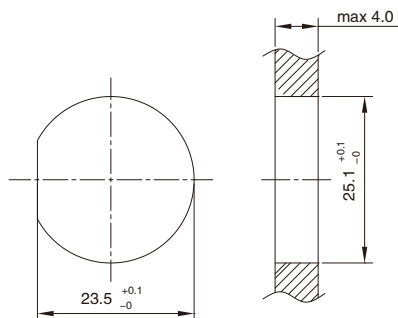
RoHS

General information

Standard:	IEC 61754
Ambient temperature:	-40°C ~ +105°C
Connector nut/screw:	PA+GF
Connector body:	PA+GF
Seal / O-ring:	Silicone

Insertion Loss:	≥ 0.3db
Return Loss:	≤ 30db
Mechanical durability:	> 500
Operation wavelength:	1310nm~1550nm~850nm
IP rating:	IP67 In locked condition

Recommended Panel Cut-Out



Remarks

- Please refer to Page 483 for products' part number encoding rule.