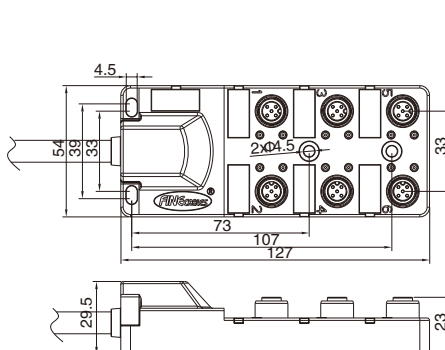




Junction Box, 6 Ports, M12 Termination, Molded Cable

- Connector series: Junction Box with cable
- Termination: M12
- Locking type: Fix screw
- Coding type: A-coding
- Part No.: JB6M12F**L-XX (with LED)
JB6M12F**-XX (without LED)

** refers to pins number
X refers to cable length



RoHS

General information

Ambient temperature:	-40°C ~ +80°C(fixed installation) -25°C ~ +80°C(flexible installation)
Connector insert:	TPU/PA
Connector contacts:	Brass with gold plated
Material of body:	PBT
Coupling nut/screw:	Brass with nickel plated
Body color:	Blue
Seal:	FKM

Contact resistance :	≤ 3mΩ
Rated voltage with/without LED:	10~30V/120V
Rated current:	1A per signal,3A total
LED color:	Optional
IP rating:	IP 67 in locked condition

Electrical data & Mechanical data

Contacts	Circuit diagram	Cable Specification
04Pins Blind hole Pin assignment M12(Female)		Cable: 3C*0.75mm ² (18AWG)+ 6C*0.34mm ² (22AWG) PUR/PVC jacket by customized
05Pins Pin assignment M12(Female)		Cable: 3C*0.75mm ² (18AWG)+ 12C*0.34mm ² (22AWG) PUR/PVC jacket by customized