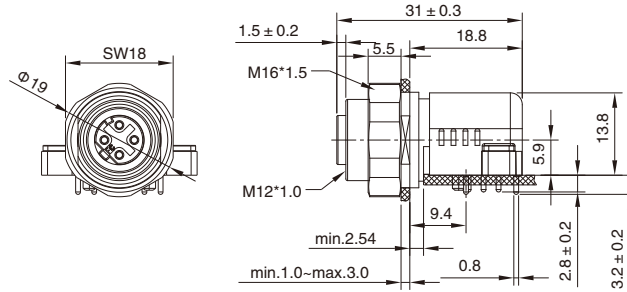


M12 Female Panel Mount, Angled, PCB Type, Shielded Shell, With Fixed Holes

- Connector series: M12
- Gender: Female
- Coding: D
- Locking type: Fix screw
- Mounting type: Right angled
- Part No.: MB12FBSDF04RA-21



General information

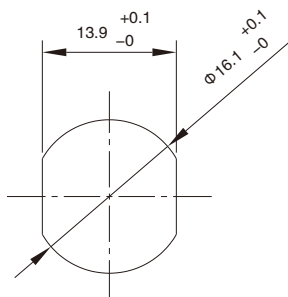
Standard:	IEC 61076-2-101
Ambient temperature:	-40°C ~ +90°C
Connector insert:	PA
Connector contacts:	Brass with gold plated
Connector nut/screw:	Brass with nickel plated
Connector body:	Brass with nickel plated
Shield Shell:	Zinc alloy with nickel plated
Seal / O-ring:	FKM

Insulation resistance:	$\geq 100\text{M}\Omega$
Contact resistance:	$\leq 5\text{m}\Omega$
Shielding:	Available
IP rating:	IP20 in locked condition
Transmission characteristics:	Cat. 5,D level: up to 100 MHz
Mating endurance:	>500 cycles

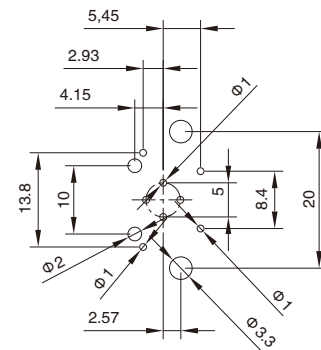
Electrical data & Mechanical data

Contacts	Contacts termination	Rated current	Voltage		Part No.
			A/C	D/C	
04 pins 	PCB version	4A	50V	50V	MB12FBSDF04RA-21

Panel Cut-out Dimensions



PCB Layout



Remarks

Recommended PCB thickness: 1.6mm

- Please refer to Page 96 for products' part number encoding rule.