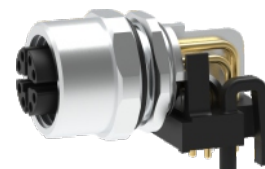
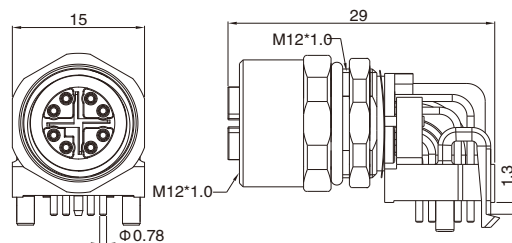


M12 Female Panel Mount, Angled PCB Type, Rear fastened, X-coding, Shielded

- Connector series: M12
- Gender: Female
- Coding: X
- Locking type: Fix screw
- Mounting type: Right angled
- Part No.: MB12FBSXFF08RA-2




General information



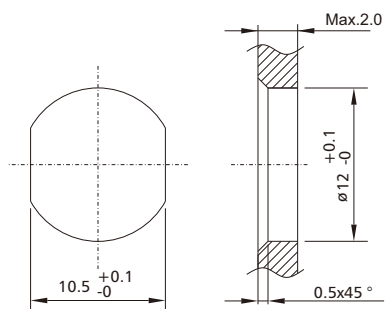
Standard:	IEC 61076-2-109
Ambient temperature:	-25°C ~ +90°C
Connector insert:	PA / TPU
Connector contacts:	Brass with gold plated
Connector nut/screw:	Brass / Stainless steel
Seal / O-ring:	FKM

Insulation resistance:	≥ 100MΩ
Contact resistance:	≤ 10mΩ
Shielding:	Available
IP rating:	IP68 in locked condition
Mating endurance:	>500 cycles

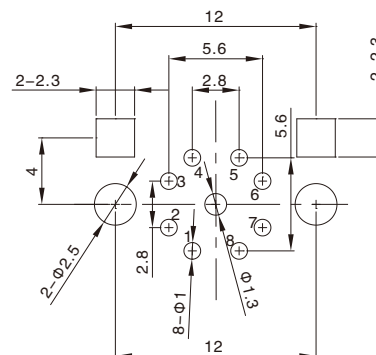
Electrical data & Mechanical data

Contacts	Contacts termination	Rated current	Voltage		Part No.
			A/C	D/C	
08 pins 	PCB version	0.5A	50V	60V	MB12FBSXFF08RA-2

Panel Cut-out Dimensions



PCB Layout



Remarks

- Please refer to Page 96 for products' part number encoding rule.