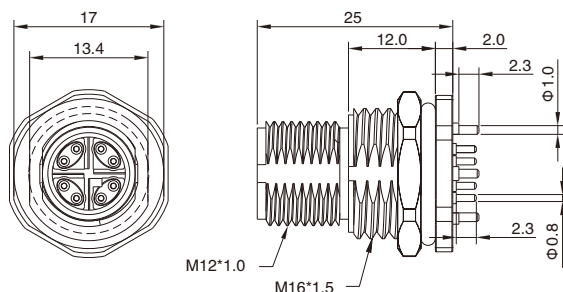


M12 Male Panel Mount, PCB Type, Front fastened, X-coding, Shielded

- Connector series: M12
- Gender: Male
- Coding: X
- Locking type: Fix screw
- Mounting type: Front fastened
- Part No.: MB12MBSXFF08ST-2



General information

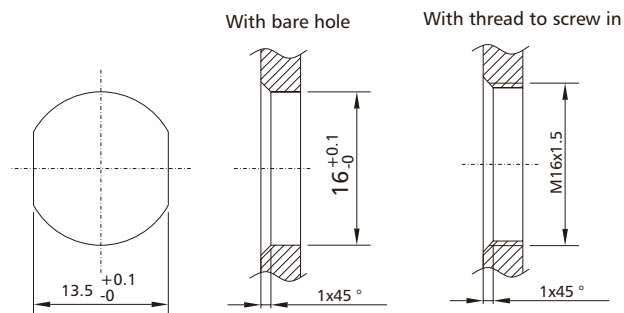
| | |
|----------------------|-------------------------------|
| Standard: | IEC 61076-2-109 |
| Ambient temperature: | -25°C ~ +90°C |
| Connector insert: | PA |
| Connector contacts: | Brass with gold plated |
| Connector screw/nut: | Brass/Zinc with nickel plated |
| Seal / O-ring: | FKM/Epoxy resin |

| | |
|------------------------|--------------------------|
| Insulation resistance: | ≥ 100MΩ |
| Contact resistance : | ≤ 10mΩ |
| Shielding: | Available |
| IP rating: | IP68 in locked condition |
| Mating endurance: | >500 cycles |

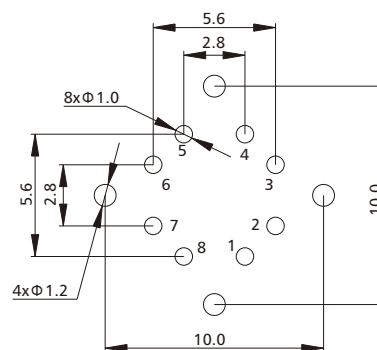
Electrical data & Mechanical data

| Contacts | Contacts termination | Rated current | Voltage | | Part No. |
|----------|----------------------|---------------|---------|-----|------------------|
| | | | A/C | D/C | |
| 08 pins | PCB version | 0.5A | 50V | 60V | MB12MBSXFF08ST-2 |

Panel Cut-out Dimensions



PCB Layout



Remarks

- Please refer to Page 96 for products' part number encoding rule.