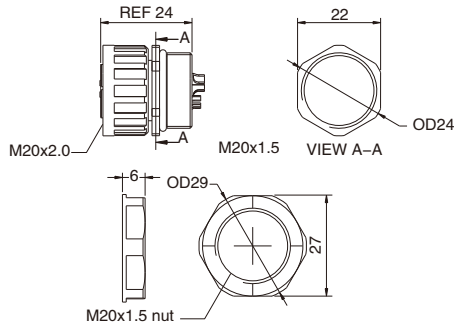


M20 Female Panel Mount, Solder, Rear fastened

- Connector series: M20
- Gender: Female
- Locking type: Fix screw
- Mounting type: Rear fastened
- Part No.: MB20FSARP3+5ST-5



General information

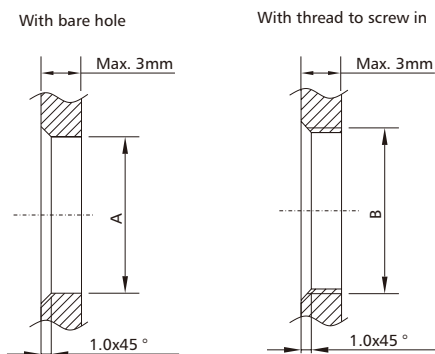
Ambient temperature:	-25°C ~ +125°C
Connector insert:	PBT
Connector contacts:	Brass with gold plated
Coupling nut/screw:	ASA
Seal / O-ring:	Silicone

Insulation resistance:	≥ 100MΩ
Contact resistance :	≤ 5mΩ
Shielding:	Unavailable
IP rating:	IP68 in locked condition
Mating endurance:	>500 cycles

Electrical data & Mechanical data

Contacts	Contacts termination	Rated current	Voltage		Wire gauge / size		Wire insulation	Part No.
			A/C	D/C	AWG	mm ²		
3+5Pins (3+5)		4A (signal 5Pins) 13A (power 3Pins)	300V	300V	26~22AWG	0.14~0.3	PVC	MB20FSARP3+5ST-5
					18~14AWG	0.5~2.5		

Panel Cut-out Dimensions



	A	B
M20	20 ^{+0.1} ₋₀	M20x1.5

Remarks

- Please refer to Page 578 for the Conversion between American Wire Gauge AWG and Wire Cross-section mm².
- Please refer to Page 317 for products' part number encoding rule.