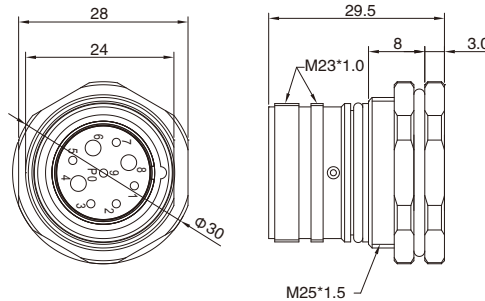


M23 Signal Panel Mount, Solder, Front mount, Male Housing+Male Thread

- Connector series: M23 Signal
- Contacts: Pin
- Mounting type: Front mount
- Shielding: Unshielded
- Connection Type: Solder
- Part No.: M23-SSPSTF_{Sx}***

*** refers to pins number
Sx refer to Flange joint



General information



Connector insert:	PA
Connector contacts:	Brass with gold plated
Coupling screw:	Brass with nickel plated
Seal / O-ring:	FKM or NBR
Operation cycles:	>800

Insulation resistance:	≥ 100MΩ
Contact resistance:	≤ 5mΩ
Ambient temperature:	-40°C ~ +125°C
IP rating:	IP68 in locked condition
Assembly Instruction:	Refer to page 413
Panel cut-out:	Refer to page 420

Electrical data & Mechanical data

Number of positions	6,7	9(8+1)/(6+3)		12	16	17	19(16+3)	
Contacts	6,7	8 / 6	1 / 3	12	16	17	16	3
Contact OD(mm)	2.0(14AWG)	1.0(18AWG)	2.0(14AWG)	1.0(18AWG)	1.0(18AWG)	1.0(18AWG)	1.0(18AWG)	1.5(16AWG)
Rated current @ 20°C(A)	20	8	20	8	8	8	8	10
Rated Voltage(V)	300	300	300	300	160	160	160	160
Impulse voltage(V)	2500	2500	2500	1500	1500	1500	1500	1500
Overvoltage category	II							
Pollution Degree	III							

Contacts	Contact OD (mm)	Pin	Part No.	Contacts	Contact OD (mm)	Pin	Part No.
6A	2		M23-SSPSTF _{Sx} 06A	12A (Standard)	1		M23-SSPSTF _{Sx} 12A
7A	2		M23-SSPSTF _{Sx} 07A	12B (opposite)	1		M23-SSPSTF _{Sx} 12B
9A (8+1)	8		M23-SSPSTF _{Sx} 09A	17A (Standard)	1		M23-SSPSTF _{Sx} 17A
	1						
9B (8+1)	8		M23-SSPSTF _{Sx} 09B	17B (opposite)	1		M23-SSPSTF _{Sx} 17B
	1						
9C (6+3)	6		M23-SSPSTF _{Sx} 09C	19A (16+3)	16		M23-SSPSTF _{Sx} 19A
	3				3		
16A	1		M23-SSPSTF _{Sx} 16A				

Note: _{Sx} refer to Flange joint

Remarks

- Please refer to Page 578 for the Conversion between American Wire Gauge AWG and Wire Cross-section mm².
- Please refer to Page 367 for products' part number encoding rule.