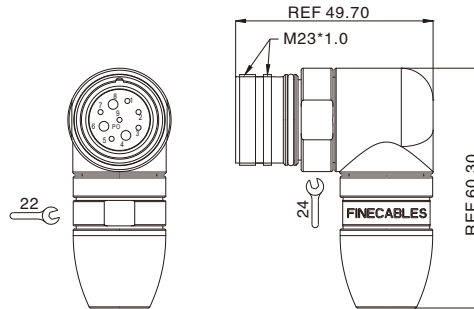


## M23 Signal Assembly, Ringht Angle, Male Housing+Male Thread

- Connector series: M23 Signal
- Contacts: Pin
- Mounting type: Ringht Angle
- Shielding: Available
- Connection Type: Solder/Crimp
- Part No.: M23-SSSPRA\*\*\*-XX (solder)  
M23-SSSCPRA\*\*\*-XX (crimp)

\*\*\* refers to pins number  
XX for cable OD rang



### General information



|                     |                               |
|---------------------|-------------------------------|
| Connector insert:   | PA                            |
| Connector contacts: | Brass with gold plated        |
| Coupling screw:     | Brass with nickel plated      |
| Connector body:     | Zinc alloy with nickel plated |
| Seal / O-ring:      | FKM or NBR                    |
| Operation cycles:   | >800                          |

|                        |                          |
|------------------------|--------------------------|
| Insulation resistance: | ≥ 100MΩ                  |
| Contact resistance:    | ≤ 5mΩ                    |
| Ambient temperature:   | -40°C ~ +125°C           |
| IP rating:             | IP68 in locked condition |
| Assembly Instruction:  | Refer to page 416        |

### Electrical data & Mechanical data

| Number of positions     | 6,7        | 9(8+1)/(6+3) |            | 12         | 16         | 17         | 19(16+3)   |            |
|-------------------------|------------|--------------|------------|------------|------------|------------|------------|------------|
| Contacts                | 6,7        | 8 / 6        | 1 / 3      | 12         | 16         | 17         | 16         | 3          |
| Contact OD(mm)          | 2.0(14AWG) | 1.0(18AWG)   | 2.0(14AWG) | 1.0(18AWG) | 1.0(18AWG) | 1.0(18AWG) | 1.0(18AWG) | 1.5(16AWG) |
| Rated current @ 20°C(A) | 20         | 8            | 20         | 8          | 8          | 8          | 8          | 10         |
| Rated Voltage(V)        | 300        | 300          | 300        | 300        | 160        | 160        | 160        | 160        |
| Impulse voltage(V)      | 2500       | 2500         | 2500       | 1500       | 1500       | 1500       | 1500       | 1500       |
| Overvoltage category    | II         |              |            |            |            |            |            |            |
| Pollution Degree        | III        |              |            |            |            |            |            |            |

| Contacts | Contact OD (mm) | Pin | Part No.   | Contacts       | Contact OD (mm) | Pin | Part No.   |
|----------|-----------------|-----|--|----------------|-----------------|-----|--|
| 6A       | 2               |     | M23-SSSPRA06A-XX (solder)<br>M23-SSSCPRA06A-XX (crimp) | 12A (Standard) | 1               |     | M23-SSSPRA12A-XX (solder)<br>M23-SSSCPRA12A-XX (crimp) |
| 7A       | 2               |     | M23-SSSPRA07A-XX (solder)<br>M23-SSSCPRA07A-XX (crimp) | 12B (opposite) | 1               |     | M23-SSSPRA12B-XX (solder)<br>M23-SSSCPRA12B-XX (crimp) |
| 9A (8+1) | 8               |     | M23-SSSPRA09A-XX (solder)<br>M23-SSSCPRA09A-XX (crimp) | 17A (Standard) | 1               |     | M23-SSSPRA17A-XX (solder)<br>M23-SSSCPRA17A-XX (crimp) |
|          | 1               |     |  |                |                 |     |  |
| 9B (8+1) | 8               |     | M23-SSSPRA09B-XX (solder)<br>M23-SSSCPRA09B-XX (crimp) | 17B (opposite) | 1               |     | M23-SSSPRA17B-XX (solder)<br>M23-SSSCPRA17B-XX (crimp) |
|          | 1               |     |  |                |                 |     |  |
| 9C (6+3) | 6               |     | M23-SSSPRA09C-XX (solder)<br>M23-SSSCPRA09C-XX (crimp) | 19A (16+3)     | 16              |     | M23-SSSPRA19A-XX (solder)<br>M23-SSSCPRA19A-XX (crimp) |
|          | 3               |     |  |                | 2               |     |  |
| 16A      | 1               |     | M23-SSSPRA16A-XX (solder)<br>M23-SSSCPRA16A-XX (crimp) |                |                 |     |  |

Note: X for cable OD rang

### Remarks

- Please refer to Page 578 for the Conversion between American Wire Gauge AWG and Wire Cross-section mm<sup>2</sup>.
- Please refer to Page 366 for products' part number encoding rule.