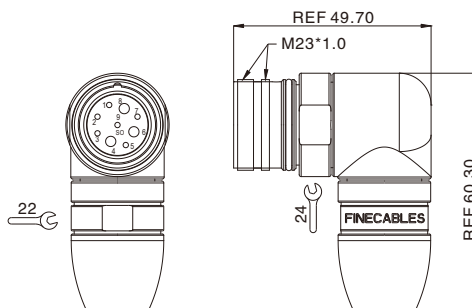


## M23 Signal Assembly, Ringht Angle, Female Housing + Male Thread

- Connector series: M23 Signal
- Contacts: Socket
- Mounting type: Ringht Angle
- Shielding: Available
- Connection Type: Solder/Crimp
- Part No.: M23-SSSSRA\*\*\*-XX (solder)  
M23-SSSCSRA\*\*\*-XX (crimp)

\*\*\* refers to pins number  
XX for cable OD rang



### General information

Connector insert:	PA
Connector contacts:	Brass with gold plated
Coupling screw:	Brass with nickel plated
Connector body:	Zinc alloy with nickel plated
Seal / O-ring:	FKM or NBR
Operation cycles:	>800

Insulation resistance:	≥ 100MΩ
Contact resistance:	≤ 5mΩ
Ambient temperature:	-40°C ~ +125°C
IP rating:	IP68 in locked condition
Assembly Instruction:	Refer to page 416

### Electrical data & Mechanical data

Number of positions	6,7	9(8+1)/(6+3)		12	16	17	19(16+3)	
Contacts	6,7	8 / 6	1 / 3	12	16	17	16	3
Contact OD(mm)	2.0(14AWG)	1.0(18AWG)	2.0(14AWG)	1.0(18AWG)	1.0(18AWG)	1.0(18AWG)	1.0(18AWG)	1.5(16AWG)
Rated current @ 20°C(A)	20	8	20	8	8	8	8	10
Rated Voltage(V)	300	300	300	300	160	160	160	160
Impulse voltage(V)	2500	2500	2500	1500	1500	1500	1500	1500
Overvoltage category	II							
Pollution Degree	III							

Contacts	Contact OD (mm)	Socket	Part No.	Contacts	Contact OD (mm)	Socket	Part No.
6A	2		M23-SSSSRA06A-XX (solder) M23-SSSCSRA06A-XX (crimp)	12A (Standard)	1		M23-SSSSRA12A-XX (solder) M23-SSSCSRA12A-XX (crimp)
7A	2		M23-SSSSRA07A-XX (solder) M23-SSSCSRA07A-XX (crimp)	12B (opposite)	1		M23-SSSSRA12B-XX (solder) M23-SSSCSRA12B-XX (crimp)
9A (8+1)	8		M23-SSSSRA09A-XX (solder) M23-SSSCSRA09A-XX (crimp)	17A (Standard)	1		M23-SSSSRA17A-XX (solder) M23-SSSCSRA17A-XX (crimp)
	1						
9B (8+1)	8		M23-SSSSRA09B-XX (solder) M23-SSSCSRA09B-XX (crimp)	17B (opposite)	1		M23-SSSSRA17B-XX (solder) M23-SSSCSRA17B-XX (crimp)
	1						
9C (6+3)	6		M23-SSSSRA09C-XX (solder) M23-SSSCSRA09C-XX (crimp)	19A (16+3)	16		M23-SSSSRA19A-XX (solder) M23-SSSCSRA19A-XX (crimp)
	3				2		
16A	1		M23-SSSSRA16A-XX (solder) M23-SSSCSRA16A-XX (crimp)				

Note: X for cable OD rang

### Remarks

- Please refer to Page 578 for the Conversion between American Wire Gauge AWG and Wire Cross-section mm<sup>2</sup>.
- Please refer to Page 366 for products' part number encoding rule.