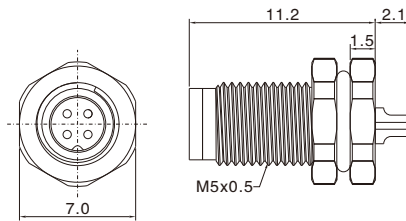


M5 Male Panel Mount, Solder, Front fastened

- Connector series: M5
- Gender: Male
- Coding: A
- Locking type: Fix screw
- Mounting type: Front fastened
- Part No.: MB05MSAFF**ST

**refers to pins number



General information

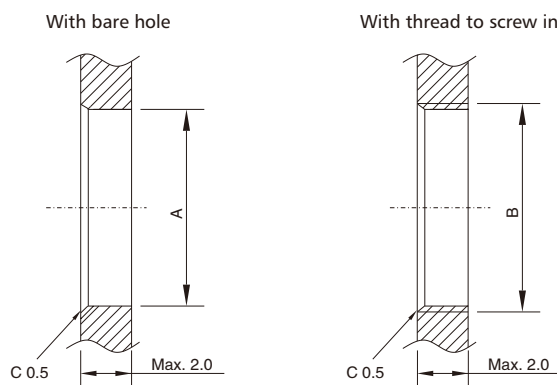
Standard:	IEC 61076-2-105
Ambient temperature:	-25°C ~ +90°C
Connector insert:	TPU
Connector contacts:	Brass with gold plated
Connector nut/screw:	Brass with nickel plated
Seal / O-ring:	Epoxy resin / FKM

Insulation resistance:	≥ 100MΩ
Contact resistance:	≤ 5mΩ
Shielding:	Unavailable
IP rating:	IP67 in locked condition
Mating endurance:	>500 cycles

Electrical data & Mechanical data

Contacts	Contacts termination	Rated current	Voltage		Wire gauge / size		Wire insulation	Part No.	
			A/C	D/C	AWG	mm ²			
03 pins		Solder version	1A	60V	60V	26AWG	0.14	PVC wire or customized	MB05MSAFF03ST
04 pins		Solder version	1A	60V	60V	26AWG	0.14	PVC wire or customized	MB05MSAFF04ST

Panel Cut-out Dimensions



	A	B
M5	5.0 ^{+0.1} ₀	M5x0.5

Remarks

- Please refer to Page 578 for the Conversion between American Wire Gauge AWG and Wire Cross-section mm².
- Please refer to Page 3 for products' part number encoding rule.