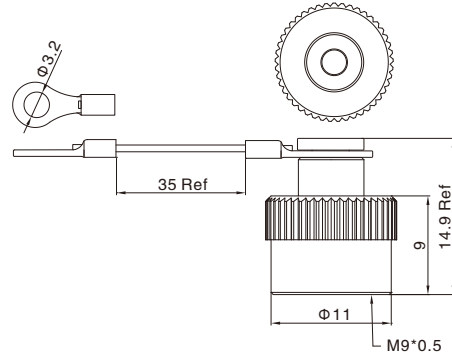




## M9 Protection Cap for Male Connector

- Connector series: M9
- Gender: for Male
- Locking type: Fix screw
- Part No.: PCNM9x0.5-0



### ■ General information

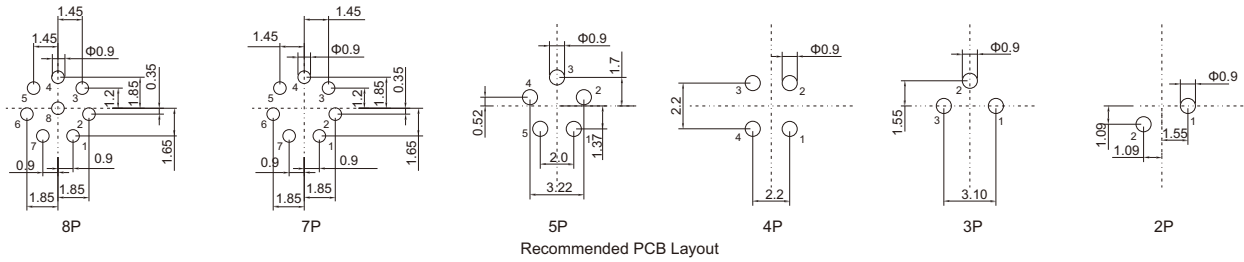
Nut/Screw: Aluminium alloy with nickel plated  
 Line: Stainless steel

Gasket: FKM  
 IP rating: IP67 in locked condition

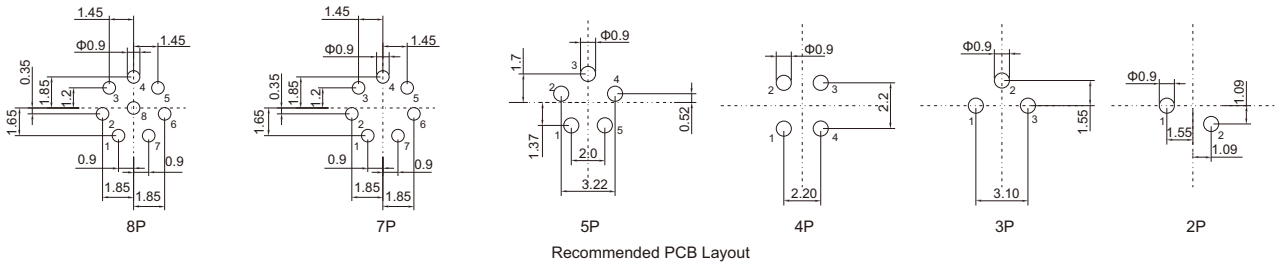
## M9 PCB Layout & Panel Cut-out

### ■ PCB Layout

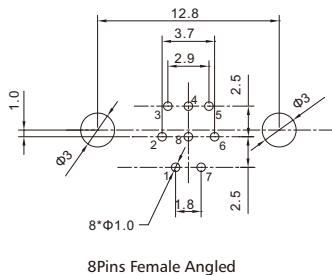
M9 Male Connector for MB09MBAFFxxST



M9 Female Connector for MB09FBAFFxxST



for MB09FBSAFFXXRA



### ■ Panel Cut-out Dimensions

