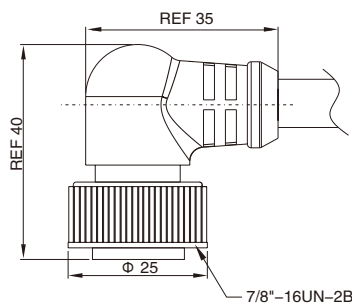


## Mini-change(7/8") Female Molded Cable, Angled

- Connector series: Mini-change(7/8")
- Gender: Female
- Locking type: Fix screw
- Mounting type: Right angled
- Part No.: MINI-C\*\*FRA-M-XXXXXX

\*\* refers to pins number  
X refers to cable specification



### General information



Ambient temperature:	-40°C ~ +80°C(fixed installation) -20°C ~ +80°C(flexible installation)
Connector insert:	TPU
Connector contacts:	Brass with gold plating
Connector overmold:	TPU
Coupling nut/screw:	Aluminium anodized black
Seal/O-ring:	FKM

Insulation resistance:	≥ 100MΩ
Contact resistance :	≤ 5mΩ
Shielding:	Unavailable
IP rating:	IP68 in locked condition
Mating endurance:	>500 cycles

### Electrical data & Mechanical data

Contacts	Rated current	Voltage		Wire gauge / size		Cable jacket	Wire insulation	Part No.
		A/C	D/C	AWG	mm <sup>2</sup>			
03 pins	13A	300V	300V	18AWG	1.0	PUR / PVC	PVC	MINI-C03FRA-M-XXXB100
04 pins	13A	300V	300V	18AWG	1.0	PUR / PVC	PVC	MINI-C04FRA-M-XXXB100
05 pins	8A	300V	300V	20AWG	0.5	PUR / PVC	PVC	MINI-C05FRA-M-XXXB50
16 pins	4A	250V	250V	24AWG	0.25	PUR / PVC	PVC	MINI-C16FRA-M-XXXB25

Note: X refers to cable specification

### Remarks

- Please refer to Page 578 for the Conversion between American Wire Gauge AWG and Wire Cross-section mm<sup>2</sup>.
- Please refer to Page 328 for products' part number encoding rule.