

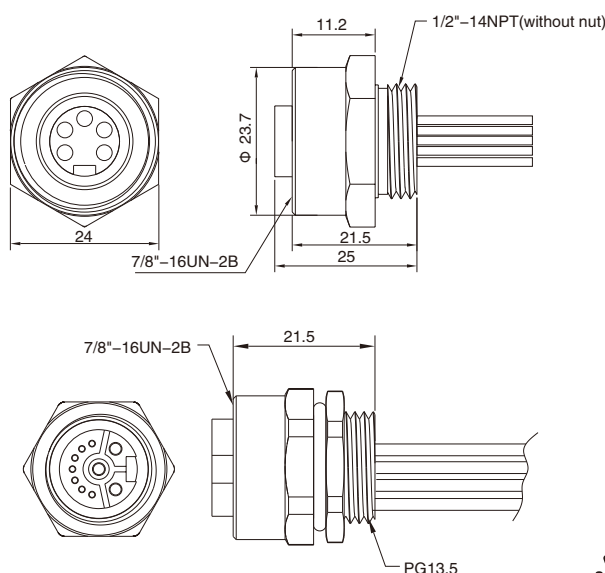
## Mini-change(7/8") Female Panel Mount, Crimp, Rear fastened

- Connector series: Mini-change(7/8")
- Gender: Female
- Locking type: Fix screw
- Mounting type: Rear fastened
- Part No.: MINI-C\*\*FST-PCR-XXXXXX-A  
MINI-C\*\*FST-PCR-XXXXXX-B

\*\* refers to pins number

X refers to cable specification

- refers to thread specs: A:1/2"-14NPT, B:PG13.5



### General information

Ambient temperature: -40°C ~ +90°C

Connector insert: TPU

Connector contacts: Brass with gold plating

Coupling nut/screw: Brass with nickel plating

Seal / O-ring: Epoxy resin/FKM

Insulation resistance:  $\geq 100\text{M}\Omega$

Contact resistance:  $\leq 5\text{m}\Omega$

Shielding: Unavailable

IP rating: IP68 in locked condition

Panel Cut-out: Refer to page 360

Mating endurance: >500 cycles

### Electrical data & Mechanical data

Contacts	Contacts termination	Rated current	Voltage		Wire gauge / size		Wire insulation	Part No.	
			A/C	D/C	AWG	mm <sup>2</sup>			
03 pins		Crimp version	13A	300V	300V	18AWG	1.0	PVC wire or customized	MINI-C03FST-PCR-XXXB100-A MINI-C03FST-PCR-XXXB100-B
04 pins		Crimp version	13A	300V	300V	18AWG	1.0	PVC wire or customized	MINI-C04FST-PCR-XXXB100-A MINI-C04FST-PCR-XXXB100-B
05 pins		Crimp version	8A	300V	300V	20AWG	0.5	PVC wire or customized	MINI-C05FST-PCR-XXXB50-A MINI-C05FST-PCR-XXXB50-B
3+7 pins		Crimp version	4A (signal 7Pins) 8A (power 3Pins)	250V	250V	20~24AWG	0.25~0.5	PVC wire or customized	MINI-C3+7FST-PCR-XXXB25-A MINI-C3+7FST-PCR-XXXB25-B

Note: X refers to cable specification

### Remarks

- Please refer to Page 578 for the Conversion between American Wire Gauge AWG and Wire Cross-section mm<sup>2</sup>.
- Please refer to Page 328 for products' part number encoding rule.