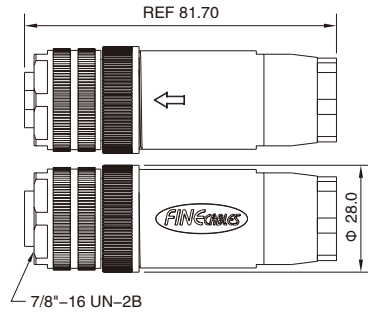


Mini-change(7/8") Female Field Wirable Assembly, Straight, Screw joint

- Connector series: Mini-change(7/8")
- Gender: Female
- Locking type: Fix screw
- Mounting type: Straight
- Part No.: MINI-C**FST-SJF-A
MINI-C**FST-SJF-B

** refers to pins number
- suitable cable Dia: A:6~8mm, B:8~10mm



General information



Ambient temperature:	-40°C ~ +90°C
Connector insert:	TPU
Connector contacts:	Brass with gold plating
Connector screw:	Aluminium anodized black
Connector body:	PA+GF
Seal / O-ring:	FKM

Insulation resistance:	≥ 100MΩ
Contact resistance :	≤ 5mΩ
Shielding:	Unavailable
Suitable cable Dia:	A: 6.0~8.0mm; B: 8.0~10.0mm
IP rating:	IP68 in locked condition
Assembly Instruction:	Refer to page 359
Mating endurance:	>500 cycles

Electrical data & Mechanical data

Contacts	Contacts termination	Rated current	Voltage		Wire gauge / size		Wire insulation	Part No.	
			A/C	D/C	AWG	mm ²			
03 pins		Screw joint	13A	300V	300V	16AWG	1.5	PVC wire or customized	MINI-C03FST-SJF-A MINI-C03FST-SJF-B
04 pins		Screw joint	13A	300V	300V	16AWG	1.5	PVC wire or customized	MINI-C04FST-SJF-A MINI-C04FST-SJF-B
05 pins		Screw joint	8A	300V	300V	16AWG	1.5	PVC wire or customized	MINI-C05FST-SJF-A MINI-C05FST-SJF-B

Remarks

- Please refer to Page 578 for the Conversion between American Wire Gauge AWG and Wire Cross-section mm².
- Please refer to Page 328 for products' part number encoding rule.