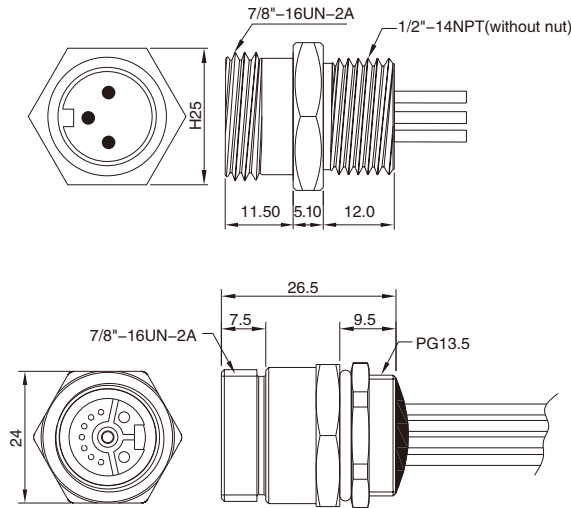


## Mini-change(7/8") Male Panel Mount, Crimp, Rear fastened

- Connector series: Mini-change(7/8")
  - Gender: Male
  - Locking type: Fix screw
  - Mounting type: Rear fastened
  - Part No.: MINI-C\*\*MST-PCR-XXXXXX-A  
MINI-C\*\*MST-PCR-XXXXXX-B
- \*\* refers to pins number  
X refers to cable specification  
- refers to thread specs: A:1/2"-14NPT, B:PG13.5



### General information

Ambient temperature:	-40°C ~ +90°C
Connector insert:	TPU
Connector contacts:	Brass with gold plating
Coupling nut/screw:	Brass with nickel plating
Seal / O-ring:	Epoxy resin/FKM

Insulation resistance:	≥ 100MΩ
Contact resistance :	≤ 5mΩ
Shielding:	Unavailable
IP rating:	IP68 in locked condition
Panel Cut-out:	Refer to page 360
Mating endurance:	>500 cycles

### Electrical data & Mechanical data

Contacts	Contacts termination	Rated current	Voltage		Wire gauge / size		Wire insulation	Part No.
			A/C	D/C	AWG	mm <sup>2</sup>		
03 pins		Crimp version	13A	300V	300V	18AWG	1.0	PVC wire or customized MINI-C03MST-PCR-XXXB100-A MINI-C03MST-PCR-XXXB100-B
04 pins		Crimp version	13A	300V	300V	18AWG	1.0	PVC wire or customized MINI-C04MST-PCR-XXXB100-A MINI-C04MST-PCR-XXXB100-B
05 pins		Crimp version	8A	300V	300V	20AWG	0.5	PVC wire or customized MINI-C05MST-PCR-XXXB50-A MINI-C05MST-PCR-XXXB50-B
3+7 pins		Crimp version	4A (signal 7Pins) 8A (power 3Pins)	250V	250V	20~24AWG	0.25~0.5	PVC wire or customized MINI-C3+7MST-PCR-XXXB25-A MINI-C3+7MST-PCR-XXXB25-B
16 pins		Crimp version	4A	250V	250V	24AWG	0.25	PVC wire or customized MINI-C16MST-PCR-XXXB25-A MINI-C16MST-PCR-XXXB25-B

Note: X refers to cable specification

### Remarks

- Please refer to Page 578 for the Conversion between American Wire Gauge AWG and Wire Cross-section mm<sup>2</sup>.
- Please refer to Page 328 for products' part number encoding rule.