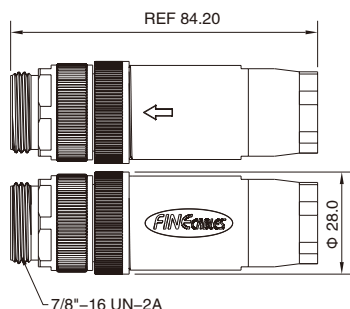


## Mini-change(7/8") Male Field Wirable Assembly, Straight, Screw joint

- Connector series: Mini-change(7/8")
- Gender: Male
- Locking type: Fix screw
- Mounting type: Straight
- Part No.: MINI-C\*\*MST-SJF-A  
MINI-C\*\*MST-SJF-B

\*\* refers to pins number  
- suitable cable Dia: A:6~8mm, B:8~10mm



### General information



|                      |                          |
|----------------------|--------------------------|
| Ambient temperature: | -40°C ~ +90°C            |
| Connector insert:    | TPU                      |
| Connector contacts:  | Brass with gold plating  |
| Connector screw:     | Aluminium anodized black |
| Connector body:      | PA+GF                    |

|                        |                             |
|------------------------|-----------------------------|
| Insulation resistance: | ≥ 100MΩ                     |
| Contact resistance :   | ≤ 5mΩ                       |
| Shielding:             | Unavailable                 |
| Suitable cable Dia:    | A: 6.0~8.0mm; B: 8.0~10.0mm |
| IP rating:             | IP68 in locked condition    |
| Assembly Instruction:  | Refer to page 359           |
| Mating endurance:      | >500 cycles                 |

### Electrical data & Mechanical data

| Contacts    | Contacts termination | Rated current | Voltage |      | Wire gauge / size |                 | Wire insulation        | Part No.                               |
|-------------|----------------------|---------------|---------|------|-------------------|-----------------|------------------------|--|
|             |                      |               | A/C     | D/C  | AWG               | mm <sup>2</sup> |                        |  |
| 03 pins<br> | Screw joint          | 13A           | 300V    | 300V | 16AWG             | 1.5             | PVC wire or customized | MINI-C03MST-SJF-A<br>MINI-C03MST-SJF-B |
| 04 pins<br> | Screw joint          | 13A           | 300V    | 300V | 16AWG             | 1.5             | PVC wire or customized | MINI-C04MST-SJF-A<br>MINI-C04MST-SJF-B |
| 05 pins<br> | Screw joint          | 8A            | 300V    | 300V | 16AWG             | 1.5             | PVC wire or customized | MINI-C05MST-SJF-A<br>MINI-C05MST-SJF-B |

### Remarks

- Please refer to Page 578 for the Conversion between American Wire Gauge AWG and Wire Cross-section mm<sup>2</sup>.
- Please refer to Page 328 for products' part number encoding rule.