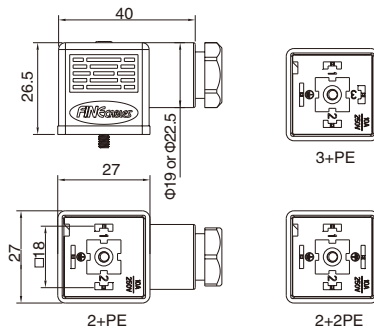


Valve Plug, Female, Field Wirable Assembly, Type A with LED

- Connector series: Valve plug
- Gender: Female
- Construction type: A
- Locking system: Central screw
- Part No.: VCAFAXX**-LED

** refers to pins number



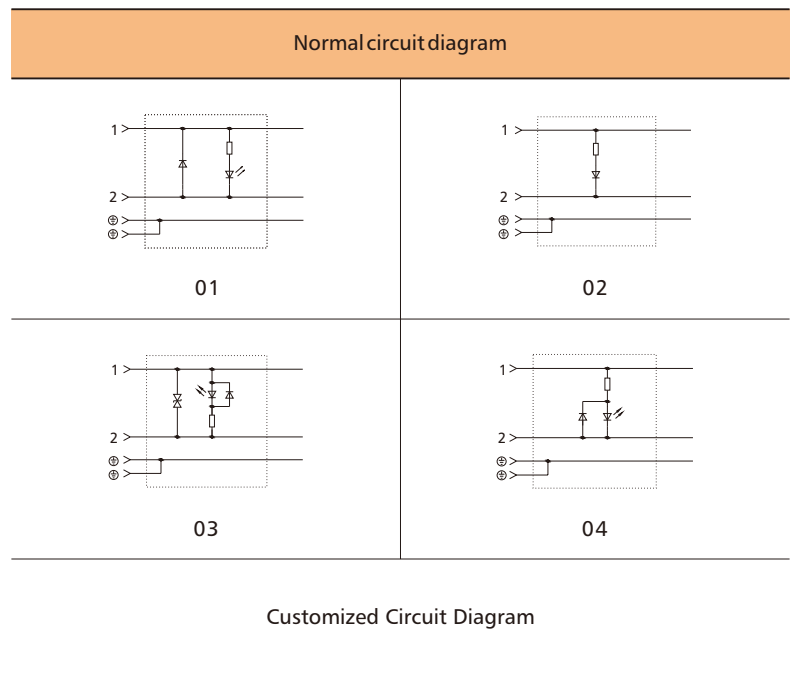
General information

Standard:	DIN EN 175 301-803-A
Ambient temperature:	-25°C ~ +90°C
Termination:	Screw
Pin dimensions:	6.3x0.8mm, 4.8x0.8mm
Housing color:	Transparent
Contact bearer material:	PA+GF
Housing material:	PC
Contact:	PS with silver plated
Screw:	Steel with Zn plated
Seal:	FKM/NBR
Gasket:	NBR

Rated voltage:	24V
Rated impulse voltage:	800V
Rated current:	8A
Insulation resistance:	≥ 100MΩ
Contact resistance:	≤ 4mΩ
IP rating:	IP 65 in locked condition
Cable gland:	PG9 / PG11
Suitable cables(Dia.):	4.5~7.0mm/6.0~9.0mm
Conductor size:	max.1.5mm ²

Electrical data & Mechanical data

Contacts	Part No.
3+PE	VCAFAXX31-LED
2+2PE	VCAFAXX22-LED
2+PE	VCAFAXX21-LED
3P	VCAFAXX03-LED
4P	VCAFAXX04-LED



Remarks

- Please refer to Page 578 for the Conversion between American Wire Gauge AWG and Wire Cross-section mm².
- Please refer to Page 433 for products' part number encoding rule.