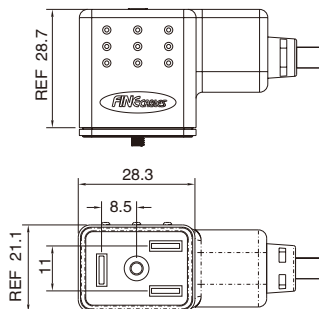


Valve Plug, Female, Molded Cable, Type B

- Connector series: Valve plug
- Gender: Female
- Construction type: B
- Locking system: Central screw
- Part No.: VCBFMXX**-XXXXXX

** refers to pins number
X refers to cable specification



General information

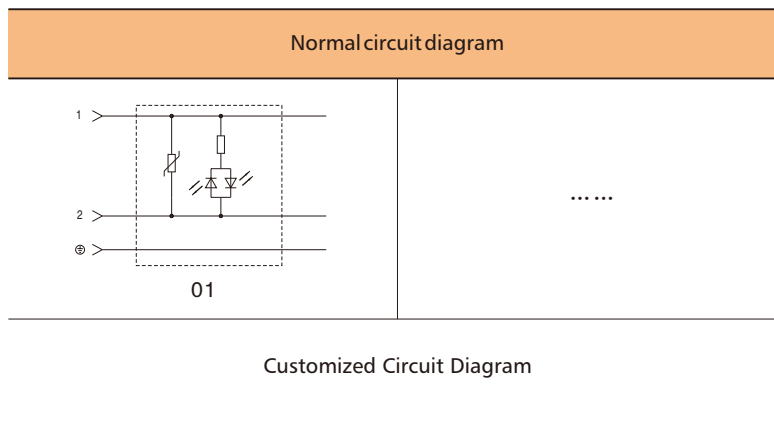
Standard:	Industrial standard
Ambient temperature:	-40°C ~ +80°C(fixed installation) -20°C ~ +80°C(flexible installation)
Termination:	Soldering
Pin dimensions:	6.3x0.8mm, 4.8x0.8mm
Connector overmold:	TPU
Contact bearer material:	PA+GF
Housing material:	PC
Contact:	PS with silver plated
Screw:	Steel with Zn plated
Seal:	FKM
Gasket:	TPU/NBR

Rated voltage:	24V/250V
Rated impulse voltage:	800V/4000V
Rated current:	8A/10A
Insulation resistance:	≥100MΩ
Contact resistance:	≤4mΩ
IP rating:	IP 67 in locked condition
Cable type:	PVC or PUR cable
Conductor size:	max.1.5mm ²

Electrical data & Mechanical data

Contacts	Part No.
2+PE 	VCBFMXX21-XXXXXX

Note: X refers to cable specification



Remarks

- Please refer to Page 578 for the Conversion between American Wire Gauge AWG and Wire Cross-section mm².
- Please refer to Page 432 for products' part number encoding rule.