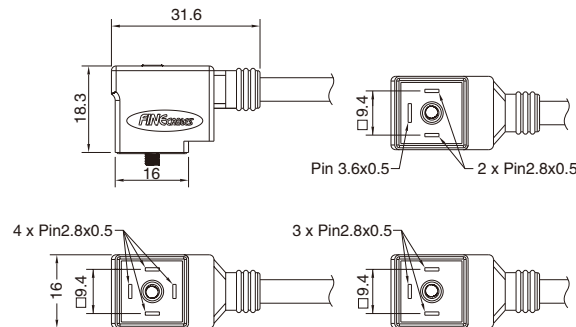


Valve Plug, Female, Molded Cable, Type C

- Connector series: Valve plug
- Gender: Female
- Construction type: C
- Locking system: Central screw
- Part No.: VCCFMXX**-XXXXXX

** refers to pins number
X refers to cable specification



General information

Standard:	Industrial standard
Ambient temperature:	-40°C ~ +80°C (fixed installation) -20°C ~ +80°C (flexible installation)
Termination:	Soldering
Pin dimensions:	2.8x0.5mm, 3.6x0.5mm
Connector overmold:	TPU
Contact bearer material:	PA+GF
Contact:	PS with silver plated
Screw:	Steel with Zn plated
Seal	FKM

Rated voltage:	250V
Rated impulse voltage:	800V
Rated current:	6A
Insulation resistance:	≥ 100MΩ
Contact resistance:	≤ 4mΩ
IP rating:	IP 67 in locked condition
Cable type:	PVC or PUR cable
Conductor size:	max. 0.5mm ²

Electrical data & Mechanical data

Contacts		Part No.	Normal circuit diagram	
3+PE		VCCFMXX31-XXXXXX	00
2+2PE		VCCFMXX22-XXXXXX
2+PE		VCCFMXX21-XXXXXX
3P		VCCFMXX03-XXXXXX
4P		VCCFMXX04-XXXXXX	Customized Circuit Diagram	

Note: X refers to cable specification

Remarks

- Please refer to Page 578 for the Conversion between American Wire Gauge AWG and Wire Cross-section mm².
- Please refer to Page 432 for products' part number encoding rule.