

Features

- High contact rating (30A)
- Suitable for automobile
- Quick connect terminal
- Plastic or metal bracket dust cover



Ordering information

FRC12 A - 2 R DC12V
1 2 3 4 5

- 1 Relay model
- 2 Contact arrangement: A: 1 Form A
- 3 Mounting termination: NIL: Plastic cover with bracket;
1: Plastic cover (plain cover); 2: Metal cover with bracket
- 4 Coil suppression: NIL: Standard type;
R : With resistor; D: With diode

- 5 Rated voltage
- Note: RoHS : RoHS compliant relay
RoHS-I : AgNi contact
RoHS-N: AgSnO₂ contact

Coil rating

Rated voltage (V)	Coil resistance Ω +/- 10%	Rated current (mA)	Must operate voltage	Must dropout voltage	Maximum voltage (at 20°C)	Power consumption (W) Approx.	Operate time (ms)	Release time (ms)
			% of rated voltage					
6	25	240						
12	100	120	65 Max.	10 Min.	130 Max.	1.44	<7	<5
24	400	60						

CAUTION: 1. The use of any coil voltage less than the rated coil voltage will compromise the operation of the relay.
2. Pickup and release voltage are for test purposes only and are not to be used as design criteria.

Characteristics

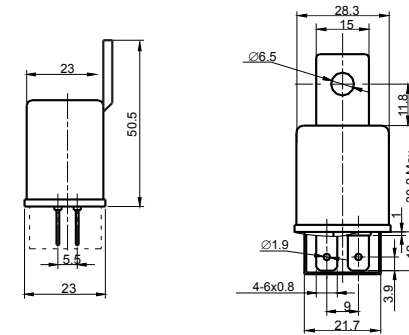
Contact arrangement	SPST (1 Form A)	
Contact material	Silver alloy	
Contact resistance	50mΩ Max.	
Contact rating (resistive)	30A 14VDC	
Switching power	420W Max.	
Switching voltage	DC 75V Max.	
Insulation resistance	100MΩ Min. (500VDC)	
Dielectric strength	500VAC (50Hz/min)	
Shock resistance	147m ² 11ms	
Vibration resistance	1.5mm Double amplitude 10-60Hz	
Ambient temperature	-40°C to +85°C	
Humidity	85% RH, 40°C	
Operation life	Mechanical	5 x 10 ⁶
	Electrical	10 ⁵ (at rated load)
Weight	Plastic cover: 30g Approx.; Metal cover: 40g Approx.	

(Specifications are subject to change without notices.)

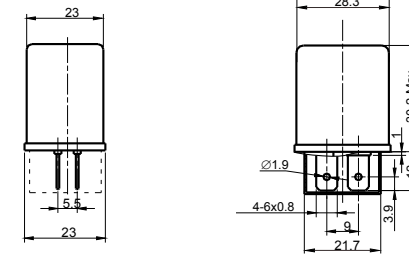
Dimensions

mm

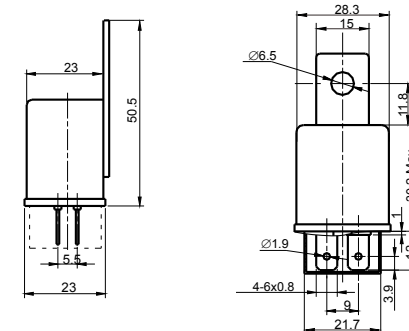
FRC12



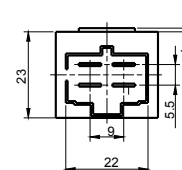
FRC12-1



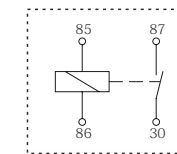
FRC12-2



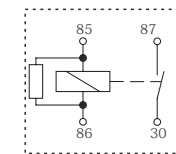
Mounting holes



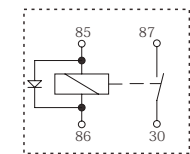
Wiring diagram



1 Form A



With resistor



With diode