



## SPECIFICATIONS:

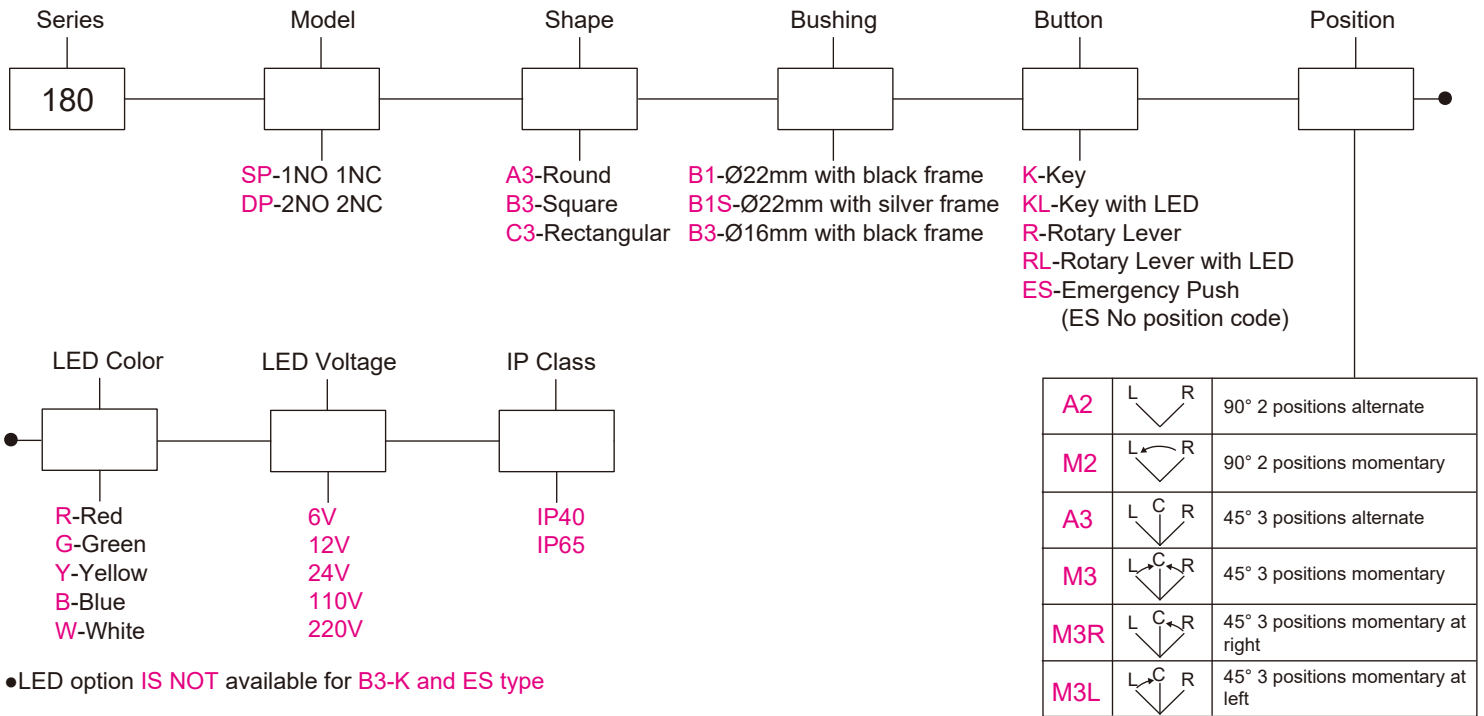
RATING: Ø22mm 0.5A 220VAC / 0.7A 24VDC  
 Ø16mm 0.5A 220VAC / 0.7A 24VDC  
 ELECTRICAL LIFE: 20,000 cycles.  
 CONTACT RESISTANCE: 50m-ohms.  
 DIELECTRIC STRENGTH: 2000VAC, 50Hz for 1 minute.  
 INSULATION RESISTANCE: 100M-ohms min @ 500VDC.  
 SOLDERING TEMPERATURE: 230°C for 3sec.  
 OPERATING TEMPERATURE: -25°C to +55°C.

## FEATURES:

- Ø22/16mm: IP65 or IP40.
- SPDT & DPDT in momentary or alternate functions.
- Frame color available in black or silver.

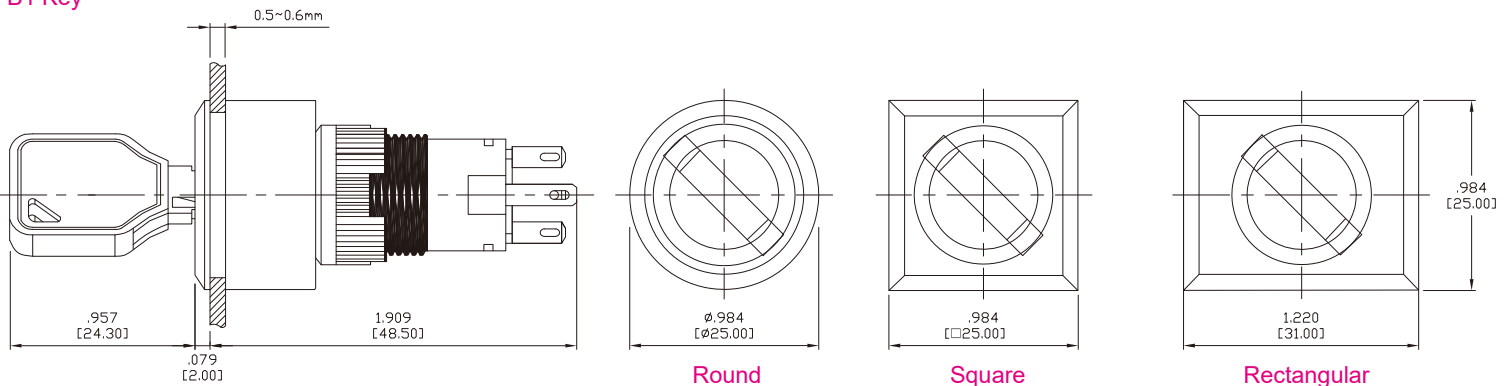
If your preferred product configuration is not shown, please contact our sales representative for custom design.

## HOW TO ORDER SYSTEM

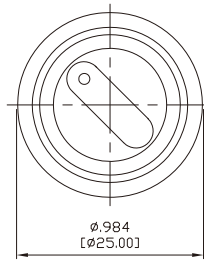
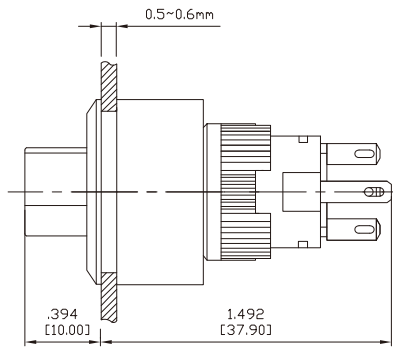


## Bushing & Button

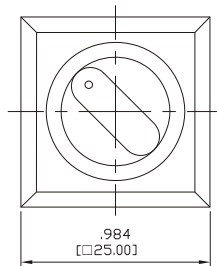
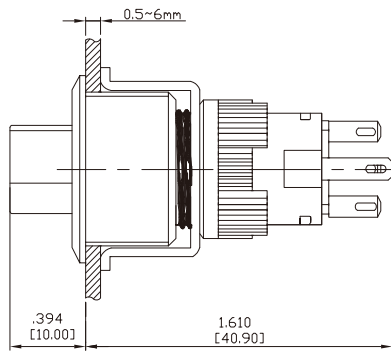
### B1 Key



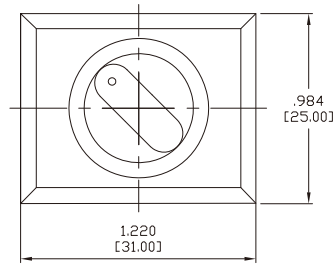
## B1 Rotary Lever



Round

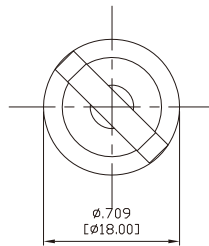
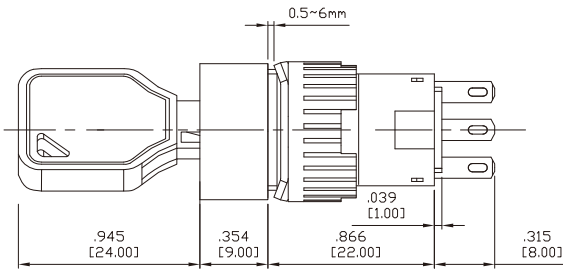


Square

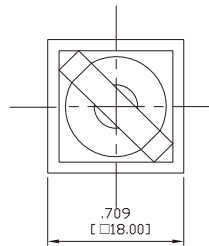


Rectangular

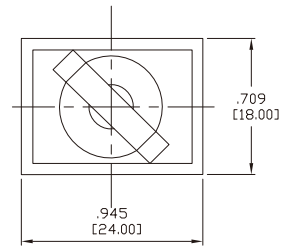
## B3 Key



Round

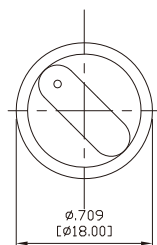
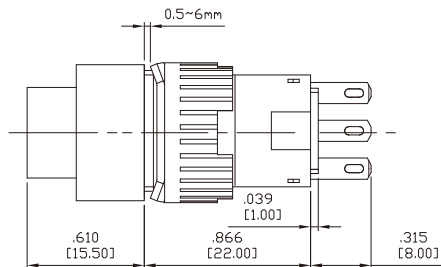


Square

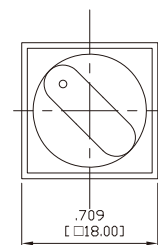


Rectangular

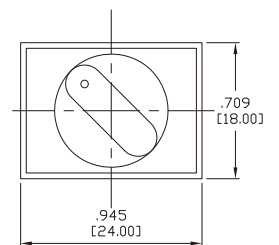
## B3 Rotary Lever



Round



Square



Rectangular