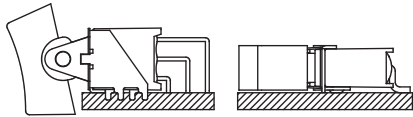


SPECIFICATIONS:

CONTACT RATING: Refer to "Contact Material Options" for more info.
 ELECTRICAL LIFE: 30,000 make-and-break cycles at full load.
 CONTACT RESISTANCE: 20mΩ max. initial @2-4 VDC
 100mA, for both silver and gold plated contacts.
 INSULATION RESISTANCE: 1,000MΩ min.
 DIELECTRIC STRENGTH: 1500V RMS max. @ sea level.
 OPERATING TEMPERATURE: -30°C to +85°C.

MATERIALS:

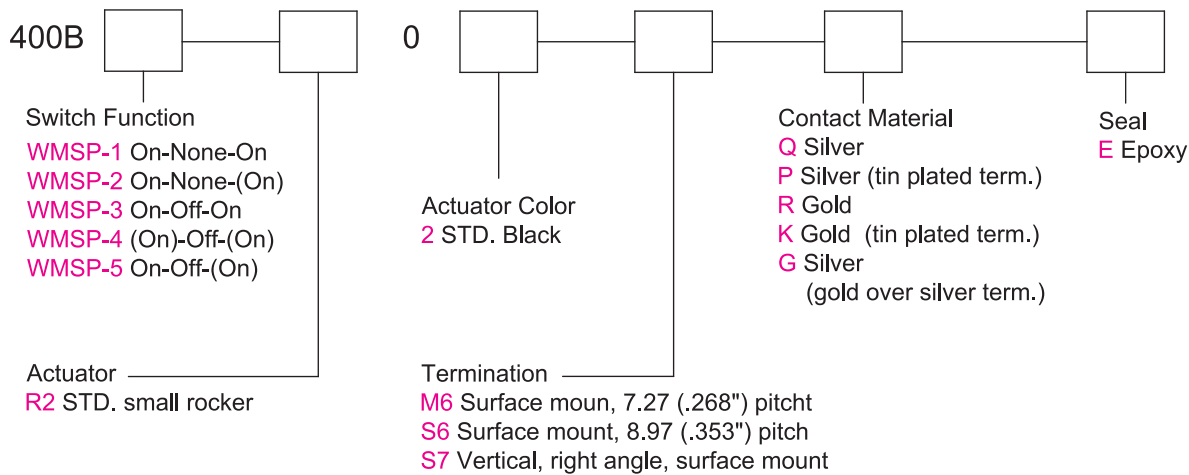
CASE & BUSHING: PA46 or FR52, flame retardant, heat stabilized (UL 94V-0).
 ROCKER: PA46 (UL 94V-0), black std.
 ACTUATOR: Brass, internal o-ring sealed (std).
 SWITCH SUPPORT: Brass (or Phosphor bronze), tin plated.
 TERMINAL SEAL: Epoxy.



Specifications and Dimensions subject to change

If your preferred product configuration is not shown, please contact our sales representative for custom design.

HOW TO ORDER SYSTEM



Series 400B

Sealed Surface Mount Rocker Switches

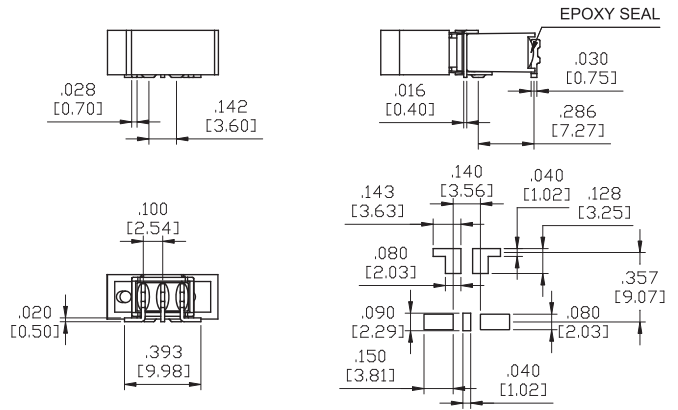
M6



Model No.	Switching Position		
WMSP-1	ON	NONE	ON
WMSP-2	ON	NONE	(ON)
WMSP-3	ON	OFF	ON
WMSP-4	(ON)	OFF	(ON)
WMSP-5	ON	OFF	(ON)
Term. Comm.	2-3	OPEN	2-1

Schematic 2Comm.

SPDT



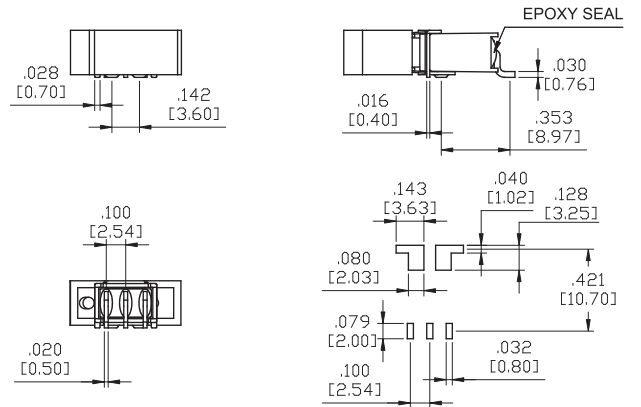
S6



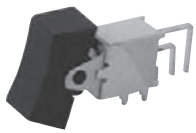
Model No.	Switching Position		
WMSP-1	ON	NONE	ON
WMSP-2	ON	NONE	(ON)
WMSP-3	ON	OFF	ON
WMSP-4	(ON)	OFF	(ON)
WMSP-5	ON	OFF	(ON)
Term. Comm.	2-3	OPEN	2-1

Schematic 2Comm.

SPDT



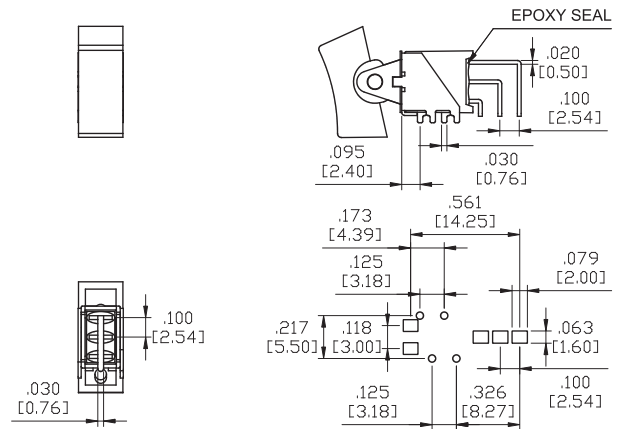
S7



Model No.	Switching Position		
WMSP-1	ON	NONE	ON
WMSP-2	ON	NONE	(ON)
WMSP-3	ON	OFF	ON
WMSP-4	(ON)	OFF	(ON)
WMSP-5	ON	OFF	(ON)
Term. Comm.	2-3	OPEN	2-1

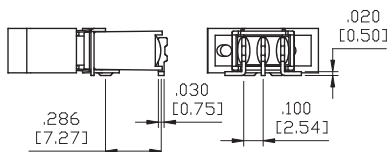
Schematic 2Comm.

SPDT

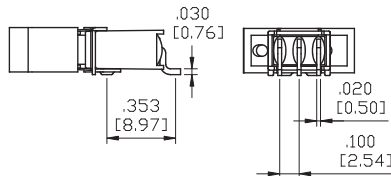


TERMINATION OPTIONS

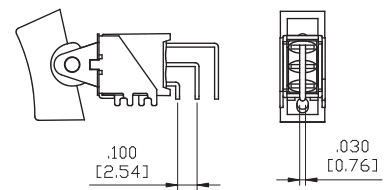
M6



S6

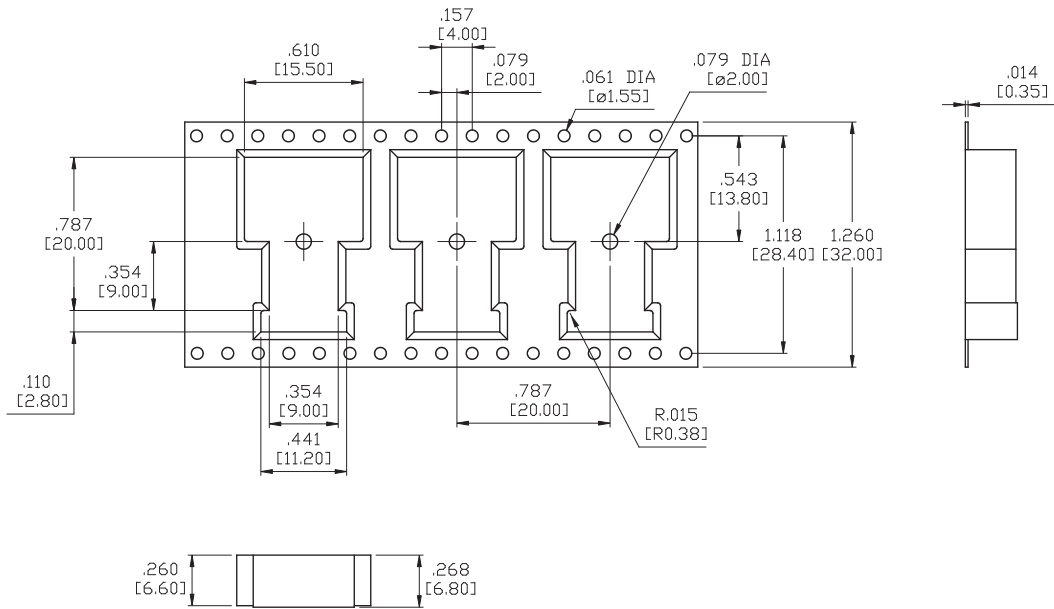


S7

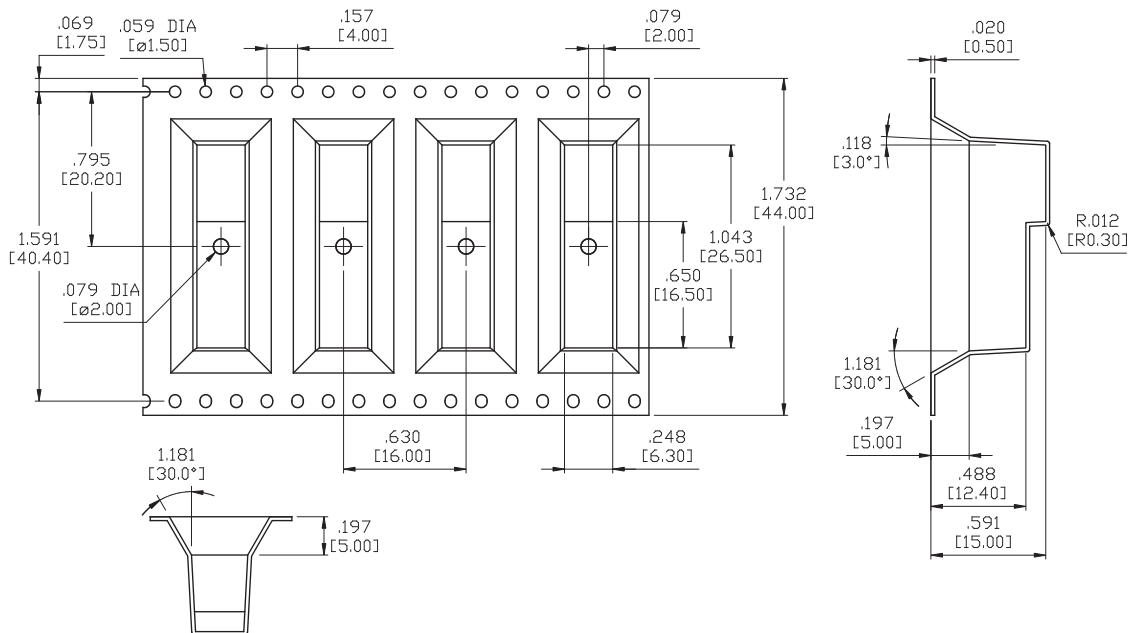


REEL TAPING

FOR M6,S6 ONLY



FOR S7 ONLY



Toggle

Rocker

Slide

Pushbutton

AV

Rotary

Tact

Touch Key

Miscellaneous

REEL TAPING

REEL INFORMATION	
OUTSIDE DIAMETER	12.99 [330.00]
PILOT HOLE	.502 [13.00]
QUANTITY PER REEL	400

CONTACT MATERIAL OPTIONS

Coding	Contact Material	Terminal Plating	Rating	Agency Approvals
Q	Silver ¹	Silver plated ¹	3Amps @ 125VAC or 28VDC 1.5Amps @ 250VAC	IP67
P		Tin plated ⁵ ⁷		
R	Gold ²	Gold plated ⁴	0.4VA max @ 20V max (AC or DC)	IP67
K		Tin plated ⁵ ⁶		
G	Silver ¹	Gold over silver ³	3Amps @ 125VAC or 28VDC 1.5Amps @ 250VAC	IP67

1. Movable Contact / Terminals: Copper alloy, silver plated.
2. Movable Contact: Copper alloy with gold plated over nickel plated.
3. Terminals: Silver plated with outer layer in gold plating.
4. Terminals: Copper alloy, with gold plated over nickel plated.
5. Outer Terminals: Copper alloy with pure tin plated.
6. Terminal Contact: Gold plated over nickel plated.
7. Terminal Contact: Palladium nickel alloy (or Silver) plated.