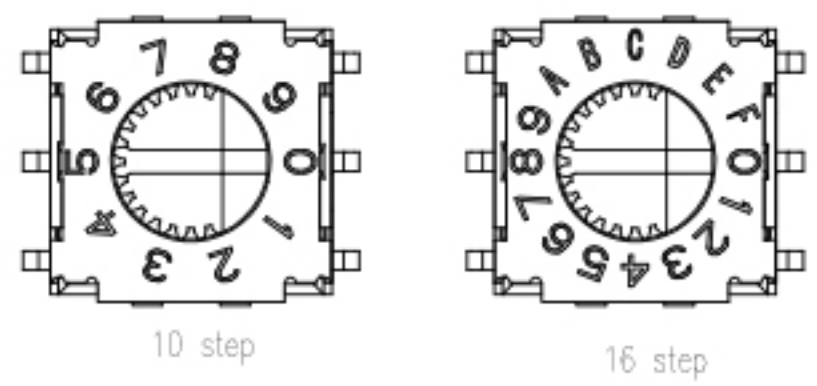
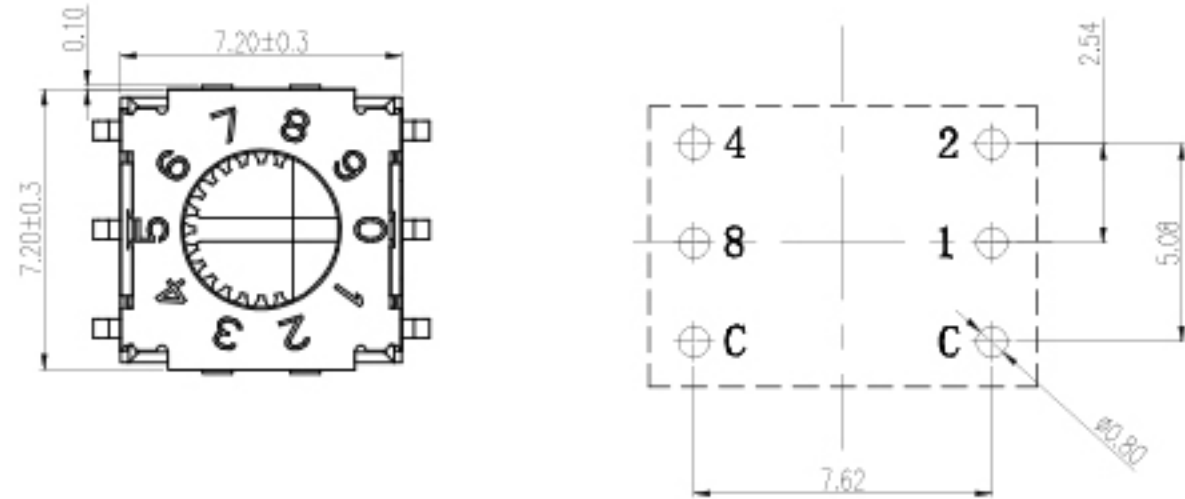


REV	ECN	CONTENT	CHECK	DATE
V0.0		ORIGINAL	ZY	2019.10.11

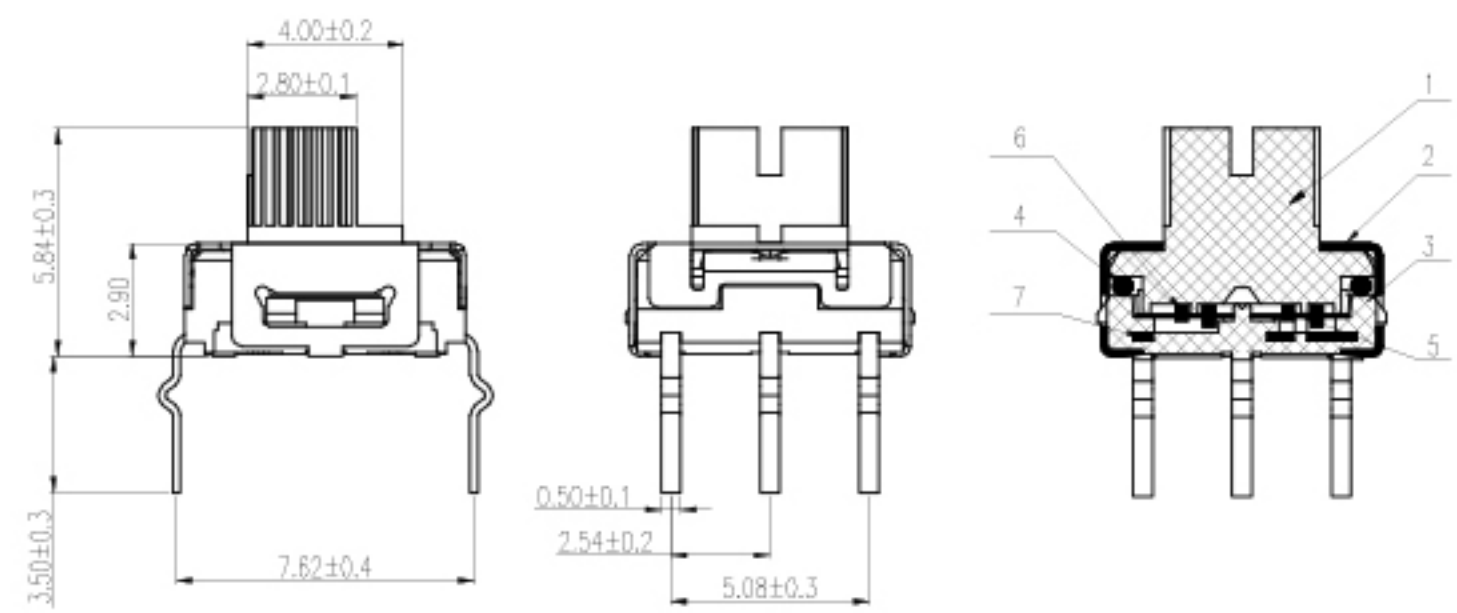


SPECIFICATION:

- Rating:
 - Switching: 100mA, 5VDC
 - Non-Switching: 100mA, 50VDC
- Contact Resistance:
 - Initial: 50mΩ max
 - After Life Test: 100mΩ max
- Insulation Resistance: 100MΩ min/250 VDC
- Withstand Voltage: 250VAC for 1 minute
- Operation Force: 500gf.cm max
- Mechanical Life: min 10000 steps
- Operation Temperature: -40℃~+85℃
- Storage Temperature: -40℃~+85℃
- RoHS Compliance

SOLDERING INFORMATION:

Wave Soldering: 260±5℃, 5S max
 Manual Soldering: 30W iron, 320±5℃, 3S max
 Keep in "off" position during soldering



7	PIN	\	1	Copper Alloy	Gilding
6	Spring	\	1	Copper Alloy	Gilding
5	Dust-proof plate	\	1	Stainless steel	\
4	Rubber Ring	\	1	Silica Gel	\
3	Base	\	1	Engineering Plastics	UL94V-0
2	Cover	\	1	Stainless steel	\
1	Rotary	\	1	Engineering Plastics	UL94V-0

ITEM	NAME OF PART	NO. OF PART	Q'TY	MATERIAL	NOTE
General tolerance in mm					
over 0.5	over 3	over 6	over 30	over 120	over 400
to 0.15	to ±0.2	to ±0.25	to ±0.3	to ±0.5	to ±0.8
radii and chamfers					
over 0.5	over 3	over 6			
to 0.2	to ±0.5	to ±1.0			
shorter angle side					
up to	over 10	over 50			
to 10	to 50	to 120			
all					
over 0	over 100	over 150			
to 0.2	to 0.3	to 0.5			

○ ON	● OFF	TYPE			
0	F	1	2	4	8
1	E	○	●	●	●
2	D	●	○	●	●
3	C	○	○	●	●
4	B	●	●	○	●
5	A	○	○	○	●
6	9	●	○	○	○
7	8	○	○	○	○
8	7	●	●	○	○
9	6	○	●	●	○
A	5	●	○	○	○
B	4	○	○	●	○
C	3	●	●	○	○
D	2	○	○	○	○
E	1	●	○	○	○
F	0	○	○	○	○

HOW TO ORDER:
 6KF002 A-3 S X X R 3-0-X X X X

A: DIP Type
 Special number
 O: Tube
 T: Tape&Reel

Terminals:
 4: 4X1
 3: 3X3
 2: 3X2
 S: Standard {Gray}
 Y: Yellow

R: Real Codes
 C: Printing Reverse

10: 10 steps
 16: 16 steps

APP.	DATE	NAME	6KF002A-3SXXR3-0
CHK.	DATE	DWGNO.	W21000032
DWG.	DATE	SHEET	1/1
UNITS	MM	SCALE	1:1
PROJECTION-METHOD		☉	

DF 慈溪市凯峰电子有限公司
 CIXI KAIFENG ELECTRONICS CO., LTD