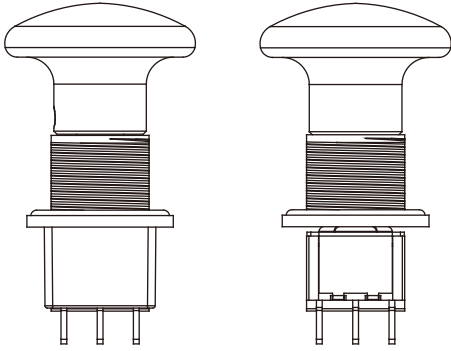


## SPECIFICATIONS:

**RATING:** 0.1A @ 28VDC  
**ELECTRICAL LIFE:** Min. 10,000 make-and-break cycles at full load.  
**CONTACT RESISTANCE:** 20m-ohms max. initial  
**INSULATION RESISTANCE:** 1,000M-ohms min.  
**DIELECTRIC STRENGTH:** 1,500VAC for 1 minute.  
**OPERATING TEMPERATURE:** -30°C to +85°C.  
**IP67 front panel sealing / IP67 full protection**

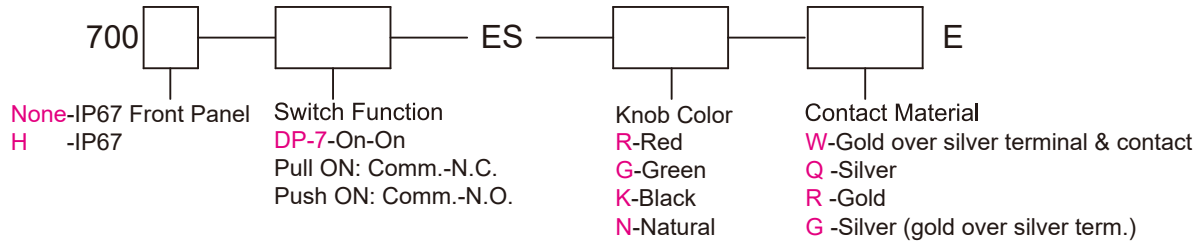
## MATERIALS:

**CASE:** DAP UL94V-0 & FR52 UL94V-0  
**TERMINAL SEAL:** Epoxy.  
**ACTUATOR:** Brass, nickel plated.  
**KNOB:** Aluminum, anodized.  
**NUT:** Brass, nickel plated.

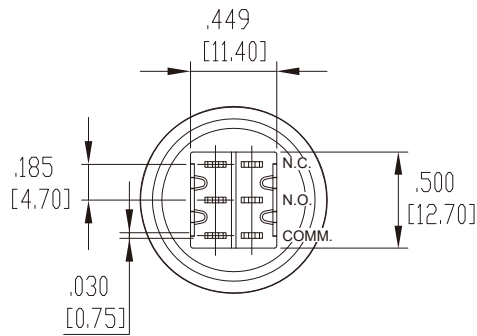


If your preferred product configuration is not shown, please contact our sales representative for custom design.

## HOW TO ORDER SYSTEM



IP67 Front Panel



IP67

