

FEATURES

- ※High reliable metal contacts
- ※Vertical operation available
- ※Cap options

APPLICATION

- ※Audio, OA equipment
- ※Instrumentation
- ※Industrial

SPECIFICATION

Contact Rating	50mA, 12V DC
Contact Resistance	100mΩ max.
Insulation Resistance	100MΩ min. 500V DC
Dielectric Strength	250V AC/1 minute
Operating Force	160±50gf, Brown(N) 260±50gf, Red(R) 320±80gf, Salmon(S) 520±130gf, Yellow(Y)
Travel	0.35mm
Operating Life	Phosphor Bronze Dome 100,000 cycles for 520/320/260gf 200,000 cycles for 160gf
	Stainless Steel Dome 300,000 cycles for 520/320gf 500,000 cycles for 260gf 1,000,000 cycles for 160gf
Operating Temp.	-25°C ~ +70°C
Storage Temp.	-30°C ~ +80°C

HOW TO ORDER

DTSA - 2 □ □ - □ - V

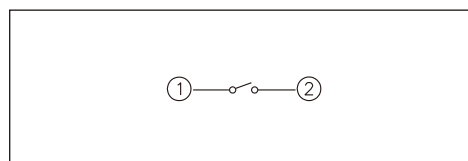
Dimension H:
1=3.65mm
4=6.45(SQ.)x3.8mm
5=7.85mm

□=Phosphor Bronze Dome
S=Stainless Steel Dome

Operating Force:
N=Brown, 160gf
R=Red, 260gf
S=Salmon, 320gf
Y=Yellow, 520gf

RoHS & Lead Free Solderable

CIRCUIT

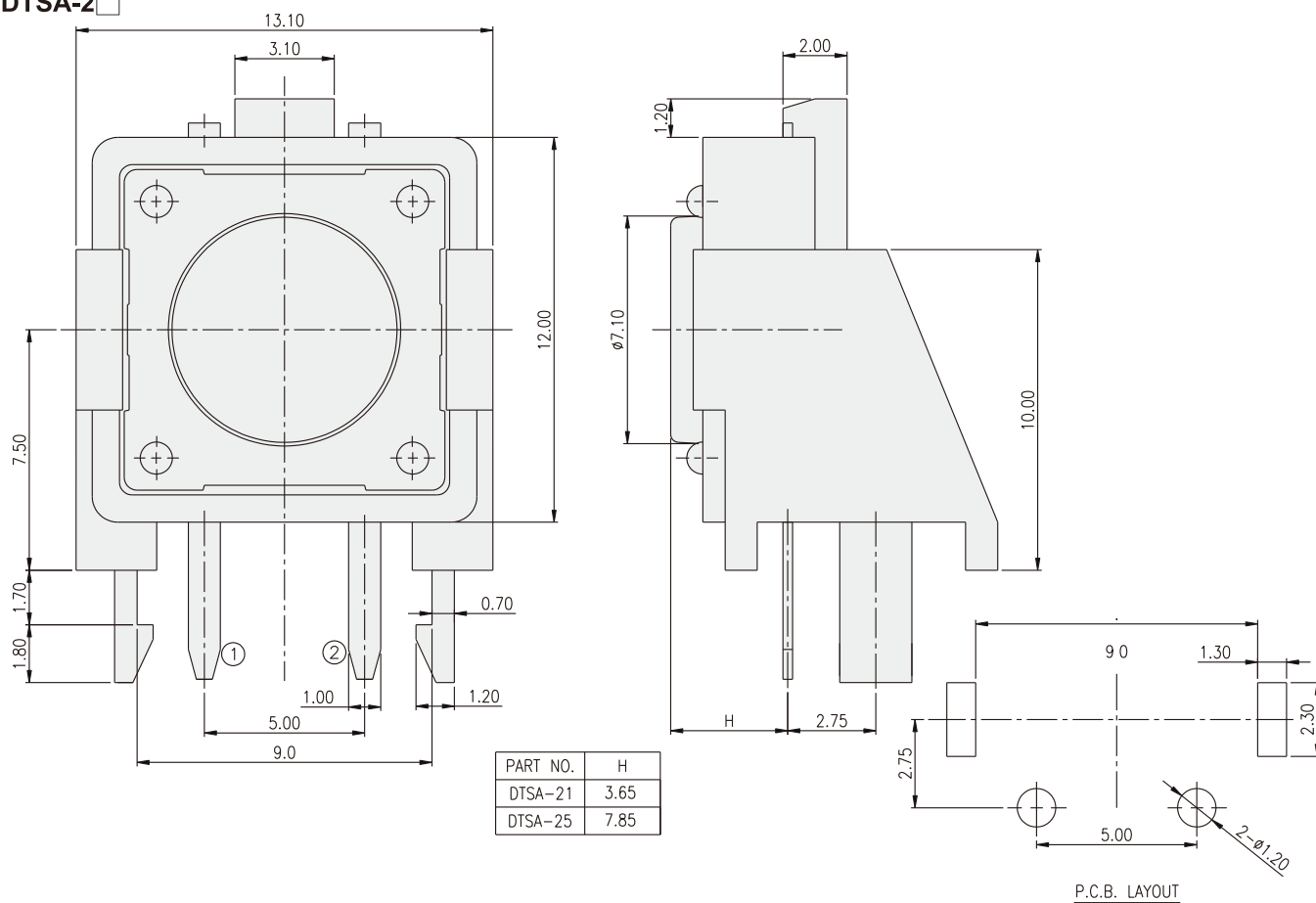


PACKAGE

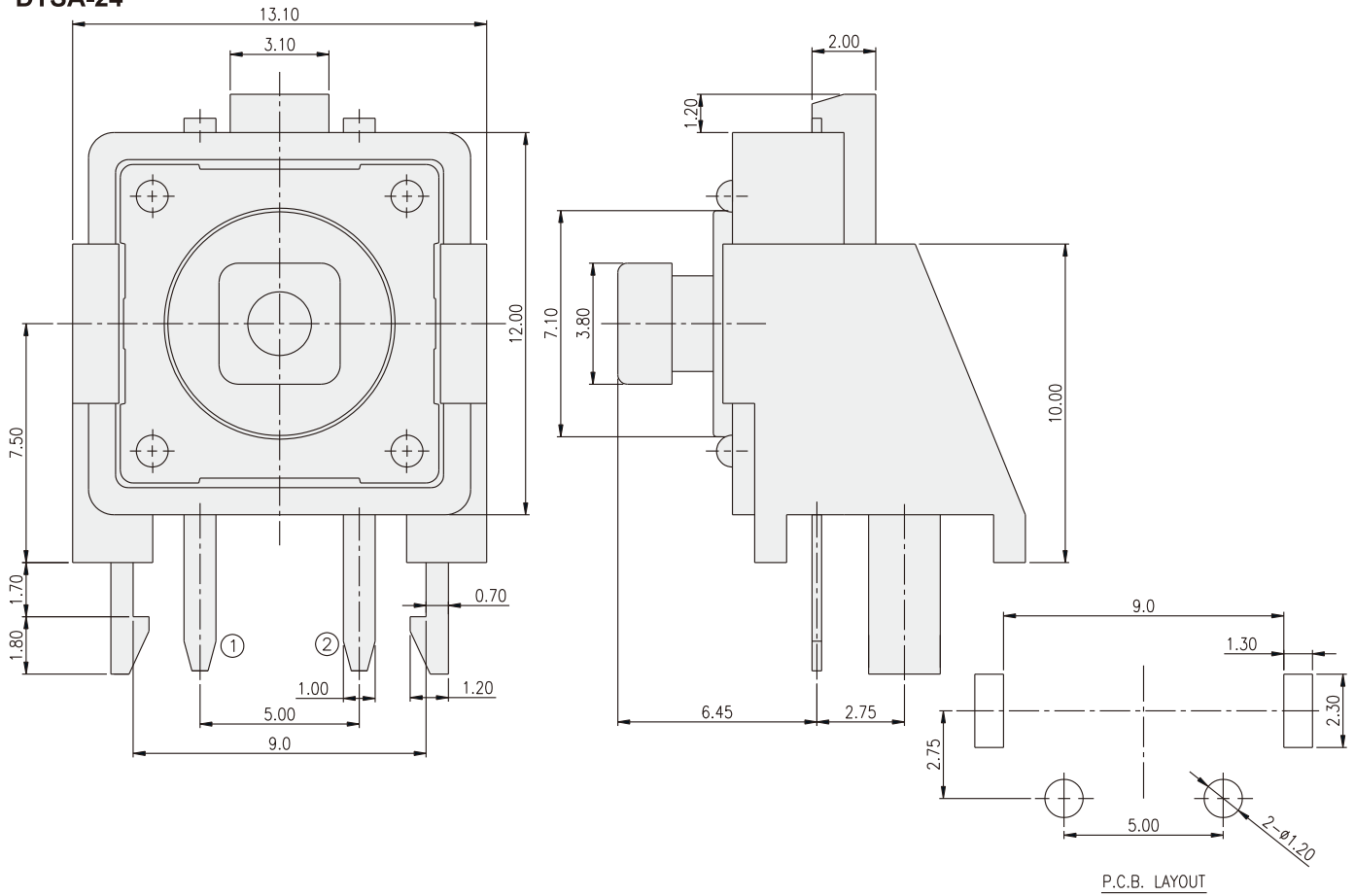
<Bag>
250 pcs

TACT SWITCH

DTSA-2 □



DTSA-24



TACT SWITCH