

ROTARY DIP SWITCH 10x10 Size, Height: 6.5mm, 4x1 Terminal

F
E
Series



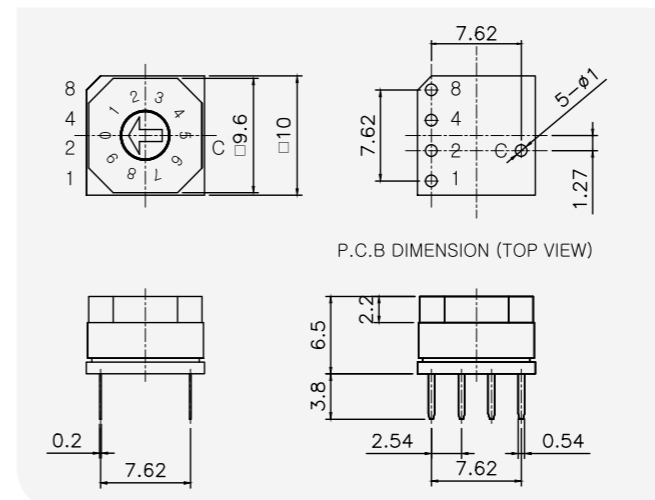
General Specification

1. **Rating :** 150mA, DC 42V (Switching)
200mA, DC 42V (None-Switching)
2. **Contact Resistance :** 80mΩ Max.
3. **Insulation Resistance :** 100MΩ Min at DC 250V
4. **Operating Force :** 700gf Max.
5. **Life Cycle :** 10,000 steps
6. **Sealing :** IP67 (Dust & Water proof)
*Except cross type of Actuator ("E" Type)

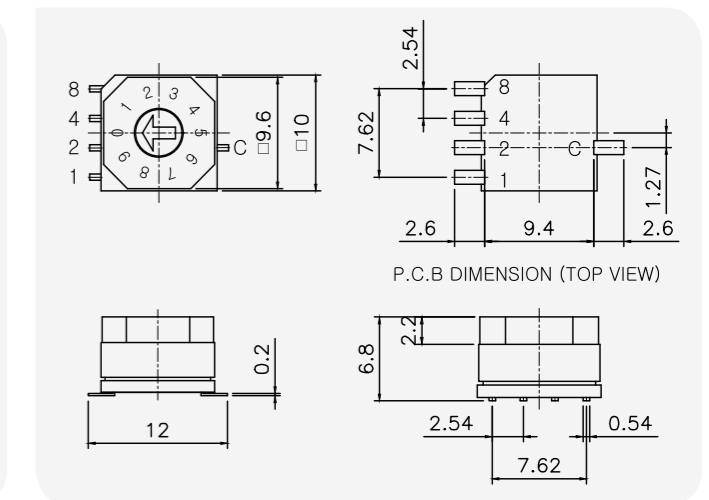
*See page 32 for Accessories.

GENERAL DIMENSION

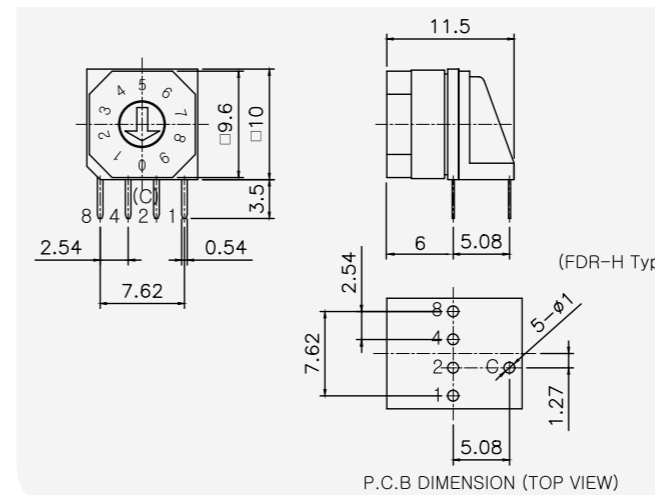
Through Hole Type Layout



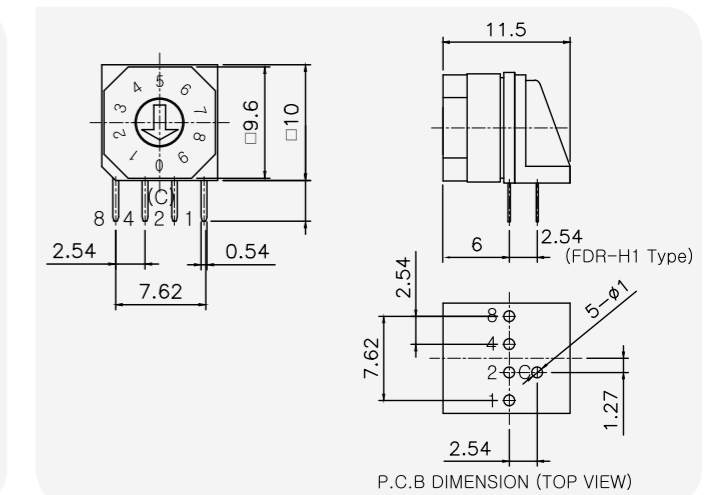
SMD Gull Wing Type Layout



Angle Type Layout (H:5.08mm)



Angle Type Layout (H1:2.54mm)



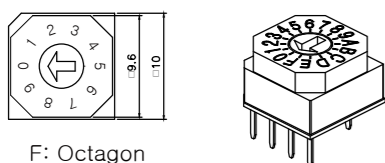
ROTARY DIP SWITCH 10x10 Size, Height: 6.5mm, 4x1 Terminal

HOW TO ORDER

F	D	R	-	10	S	-
Cover Type	Actuator	Code		Position	Terminal	Packing
F Octagon Type (Ter' 4x1) E Square (Ter' 4x1)	D Arrow (Height = 0mm) S Height = 7.3mm P Height = 1.0mm E Cross (Height = 0mm)	R Real Code C Complement Code G Gray Code *Other special codes are available upon the request.		04 4 Position 06 6 Position 08 8 Position 10 10 Position 16 16 Position	- Through-Hole (Ter' 4x1) S SMD Gull Wing (Ter' 4x1) H Right Angle 5.08mm H1 Right Angle 2.54mm	- Tube Packing TR Reel Packing

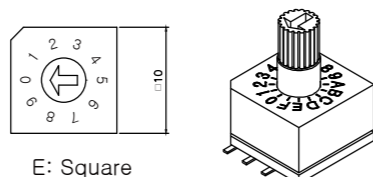
1. Cover Type

F Type [Octagon] 4x1 Ter'



F: Octagon

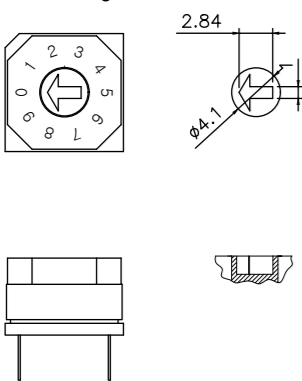
E Type [Square] 4x1 Ter'



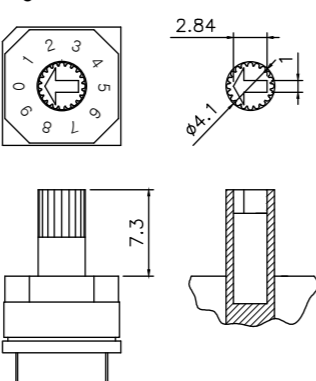
E: Square

2. Actuator

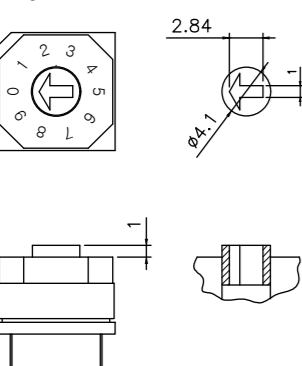
D Arrow (Height = 0mm)



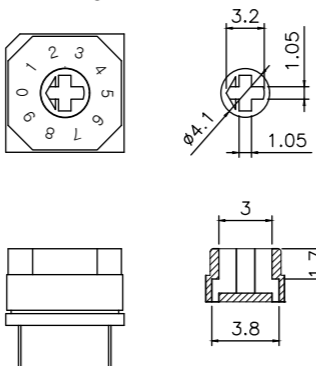
S Height = 7.3mm



P Height = 1mm



E Cross (Height = 0mm)



ROTARY DIP SWITCH 10x10 Size, Height: 6.5mm, 4x1 Terminal

3. Code & Position

R Real Code

		Real Code				
		C	1	2	4	8
16 Position	10 Position	08 Position	06 Position	04 Position	0	1
					2	3
					4	5
					6	7
					8	9
					A	B
					C	D
					E	F

C Complement Code

		Complement Code				
		C	1	2	4	8
16 Position	10 Position	08 Position	06 Position	04 Position	0	1
					2	3
					4	5
					6	7
					8	9
					A	B
					C	D
					E	F

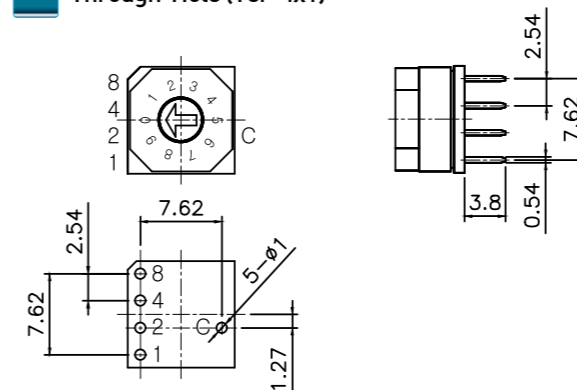
S Decimal Code

		Decimal Code				
		C	1	2	3	4
04 Position						

* Special Codes are available upon the request.

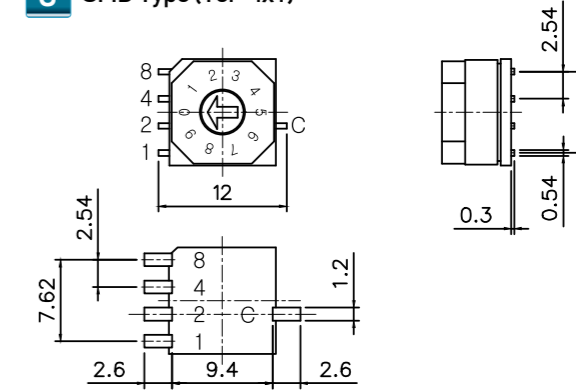
4. Terminal

- Through-Hole (Ter' 4x1)



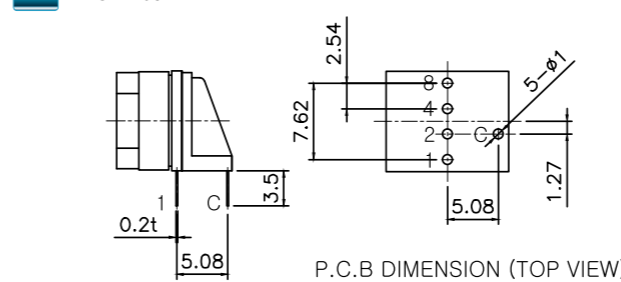
P.C.B DIMENSION (TOP VIEW)

S SMD Type (Ter' 4x1)



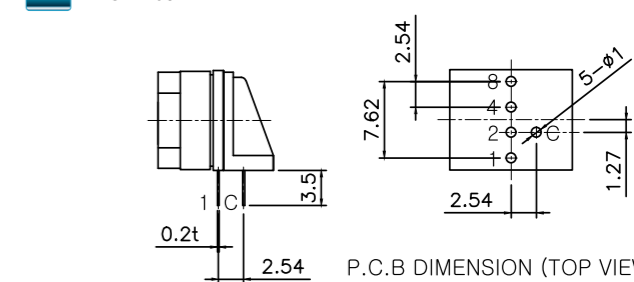
P.C.B DIMENSION (TOP VIEW)

H Angle Type 5.08mm (Ter' 4x1)



P.C.B DIMENSION (TOP VIEW)

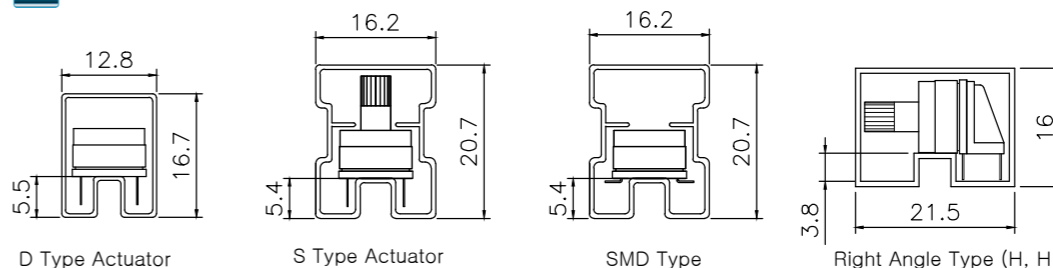
H1 Angle Type 2.54mm (Ter' 4x1)



P.C.B DIMENSION (TOP VIEW)

5. Packing

- Tube Packing (Q'ty: 50Pcs/Tube)



TR

Reel Packing (See Page 31)