

## G10A Series

### Subminiature Micro Switch



#### ■ Features

- Small Compact Size
- Long Life and High Reliability
- Variety of Terminals
- Variety of Levers Optional
- Widely used in Appliance and Industry Control

#### ■ Application

- ◆ Mouse
- ◆ Electric Knife
- ◆ Electric Stapler
- ◆ Telephone
- ◆ Calculator
- ◆ Mixer & Chopper
- ◆ Battery Charger
- ◆ Cordless Phone
- ◆ Alarm
- ◆ Cleaner
- ◆ Home Appliance

#### ■ Parameters:

Rating	P1	0.1A 125/250VAC 30VDC
	03	3A 125/250VAC 30VDC
Operating Frequency	Electrical	10~30 cycles/minute
	Mechanical	120 cycles/minute
Contact Resistance(Initial Value)		100mΩ Max
Insulation Resistance(at500VDC)		At500VDC, 100MΩ Min
Dielectric Strength		AC 600V RMS(50-60Hz)
Storage Temperature		-40℃ ~+85℃
Storage Humidity		85% RH Max
Service Life	Electrical	10,000 cycles
	Mechanical	1,000,000 cycles



## Terminal Type

◆ Terminal thickness: 0.6mm

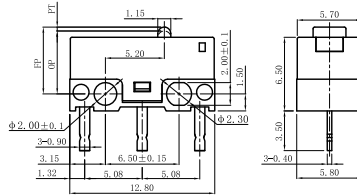
Straight Solder Terminals	Straight PCB Terminals	PCB snap-in (clip) Terminals
Short Solder Terminals	Right Angled PCB Terminals	Left Angled PCB Terminals
Long Solder Terminals	Circuit Configuration	
	<p style="text-align: center;">SPDT</p>	

## Mounting Hole Dimension

Mounting Hole Dimension	Mounting Hole Dimension of PCB Terminals
Mounting Hole Dimension of Right Angled PCB Terminals	Mounting Hole Dimension of Left Angled PCB Terminals

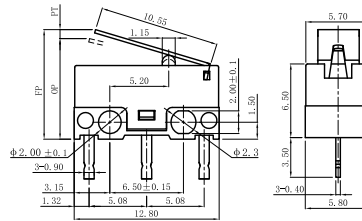
## Dimensions and Operating Characteristics

### ◆G10□□-□P00A



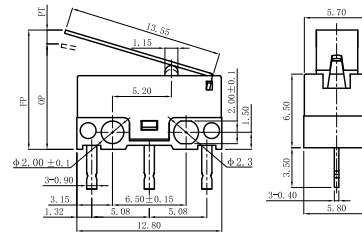
OF Max. (gf)	RF Min. (gf)	PT Max. (mm)	OT Min. (mm)	DT Max. (mm)	FP Max. (mm)	OP (mm)
-150	150	20	0.65	0.2	0.2	6.0

### ◆G10□□-□P01A



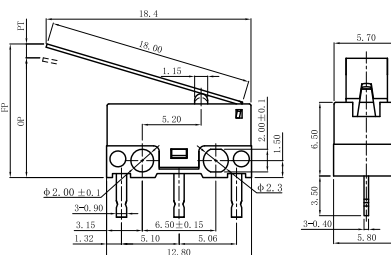
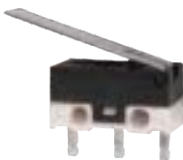
OF Max. (gf)	RF Min. (gf)	PT Max. (mm)	OT Min. (mm)	DT Max. (mm)	FP Max. (mm)	OP (mm)
-150	60	10	2.5	0.3	0.6	9.0

### ◆G10□□-□P02A



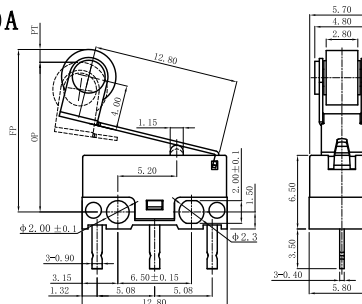
OF Max. (gf)	RF Min. (gf)	PT Max. (mm)	OT Min. (mm)	DT Max. (mm)	FP Max. (mm)	OP (mm)
-150	50	8	3.4	0.3	0.8	9.5

### ◆G10□□-□P03A



OF Max. (gf)	RF Min. (gf)	PT Max. (mm)	OT Min. (mm)	DT Max. (mm)	FP Max. (mm)	OP (mm)
-150	50	5.0	4.0	0.5	1.0	10.0

### ◆G10□□-□P10A



OF Max. (gf)	RF Min. (gf)	PT Max. (mm)	OT Min. (mm)	DT Max. (mm)	FP Max. (mm)	OP (mm)
-150	50	6	5.5	0.3	0.8	16.5