

G10B Series

Subminiature Sealed Micro Switch



■ Features

- Designed For Water and Dust Tight(IP67)
- Small Compact Size
- Long Life and High Reliability
- Variety of Levers Optional
- Widely used in Automotive Electronics, Appliance and Industrial Control etc.

■ Application

- ◆ Car
- ◆ Air-conditioner
- ◆ Communication
- ◆ Home Appliance
- ◆ Charging Pile
- ◆ Charging Gun

■ Parameters:

Rating	P1	0.1A 125/250VAC 30VDC
	03	3A 125/250VAC 30VDC
Operating Frequency	Electrical	10~30 cycles/minute
	Mechanical	120 cycles/minute
Contact Resistance(Initiative)		100mΩ Max
Insulation Resistance(at500VDC)		At500VDC, 100MΩ Min
Dielectric Strength		AC 600V RMS (50-60Hz)
Storage Temperature		-40℃~+85℃
Storage Humidity		85% RH Max
Service Life	Electrical	10,000 cycles
	Mechanical	300,000 cycles

G10B Series Micro Switch Ordering Instruction

G10B	03	150	S	01	A	300	T001	U
Switch Type	Electrical Rating	Max Operating Force at Pin Plunger	Terminal Type	Lever Type	Circuit code	Wires length (AWG Number UL1007 AWG Type 24#)	Custom code	Logo
G10B Series Micro-Switch	P1 ENEC/CQC 0.1A 125/250VAC 30VDC 40T85 μ 1E4 UL/CUL 0.1A 125/250VAC 30VDC 03 ENEC/CQC 3A 125/250VAC 30VDC 40T85 μ 1E4 UL/CUL 3A 125/250VAC 30VDC	150 150gf Max ... Other	S Solder Terminals P Straight PCB Terminals Q Snap in PCB Terminals E Molded lead wires downwards G Molded Lead Wires Leads to Left Side (Pin plunger side) F Molded lead Wires Leads to right Side (Opposite to Pin plunger side) ... Special Terminals	00 No Lever Pin Plunger 02# Std. Straight Lever 03# Long Straight Lever ... Other	A SPDT B SPST-NC C SPST-NO	300mm length standard wires 300mm 100mm length ... Other	General ... Other	ZINC EAK Unionwell ... Other

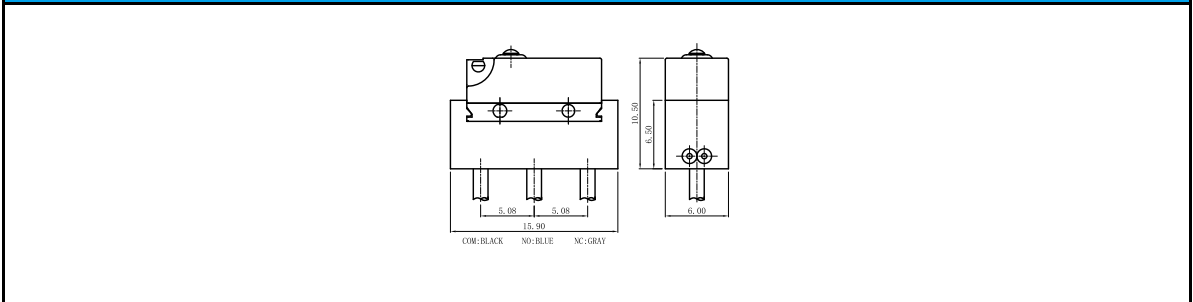
Terminal Type

◆ Terminal thickness: 0.4mm

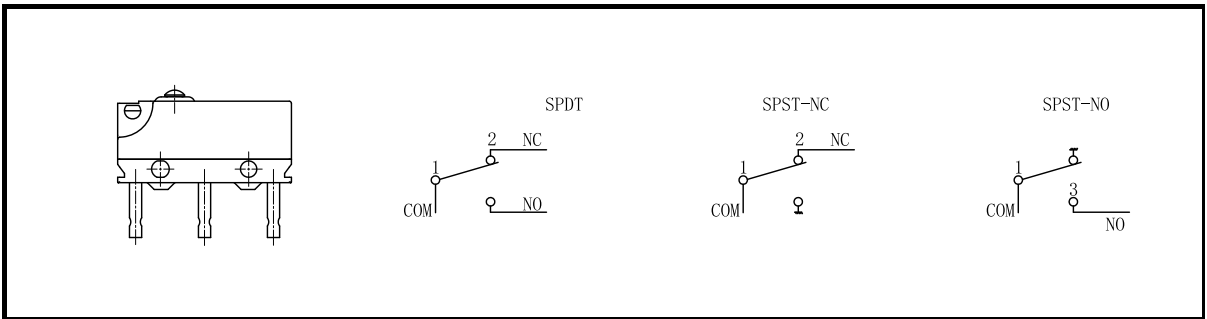
Straight Solder Terminals	Straight PCB Terminals
PCB Left Terminals	PCB Right Terminals
Wires Leads to right Side (Opposite to Pin plunger side)	Wires Leads to left Side (Pin plunger side), length: 300mm

Terminal Type

Wires Leads to Bottom (300mm length)



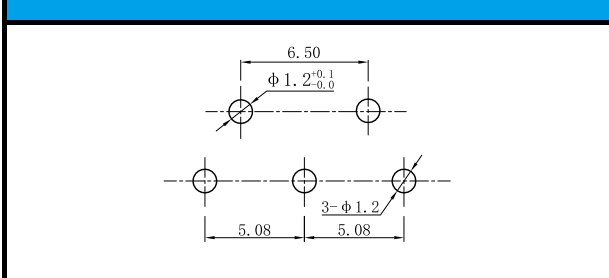
Circuit



Mounting Hole Dimension

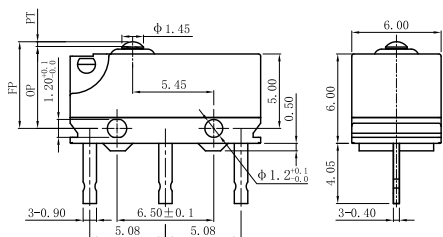
Mounting Hole Dimension	Mounting Hole Dimension of PCB Terminals
<p>Mounting holes</p>	

Left and Right PCB Terminal Mounting Hole Dimension



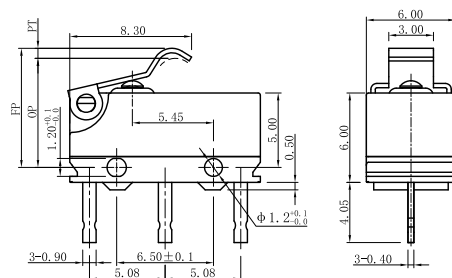
Dimensions and Operating Characteristics

◆G10B□□-□□□P00A



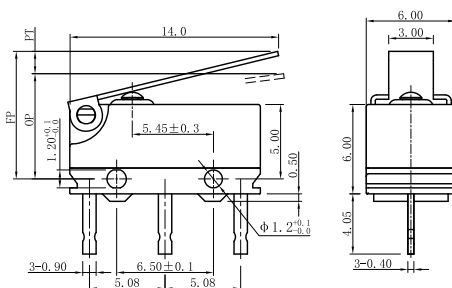
OF Max. (gf)	RF Min. (gf)	PT Max. (mm)	OT Min. (mm)	DT Max. (mm)	FP Max. (mm)	OP (mm)
-150	150	20	0.2	0.2	6.1	5.5±0.3

◆G10B□□-□□□P02A



OF Max. (gf)	RF Min. (gf)	PT Max. (mm)	OT Min. (mm)	DT Max. (mm)	FP Max. (mm)	OP (mm)
-150	90	15	1.50	0.3	0.7	8.7
						7.5±0.6

◆G10B□□-□□□P03A



OF Max. (gf)	RF Min. (gf)	PT Max. (mm)	OT Min. (mm)	DT Max. (mm)	FP Max. (mm)	OP (mm)
-150	50	8	3.4	0.3	0.8	8.8
						6.8±1.0