

Unionwell

G10B-A001 Series

M4 Mounting Waterproof Micro Switch



■ Features

- ◆ Designed for water and dust tight (IP67)
- ◆ Snap action contact structure
- ◆ Single-point mounting with M4 screw
- ◆ Widely used in automotive electronics, appliance and industrial control

■ Application

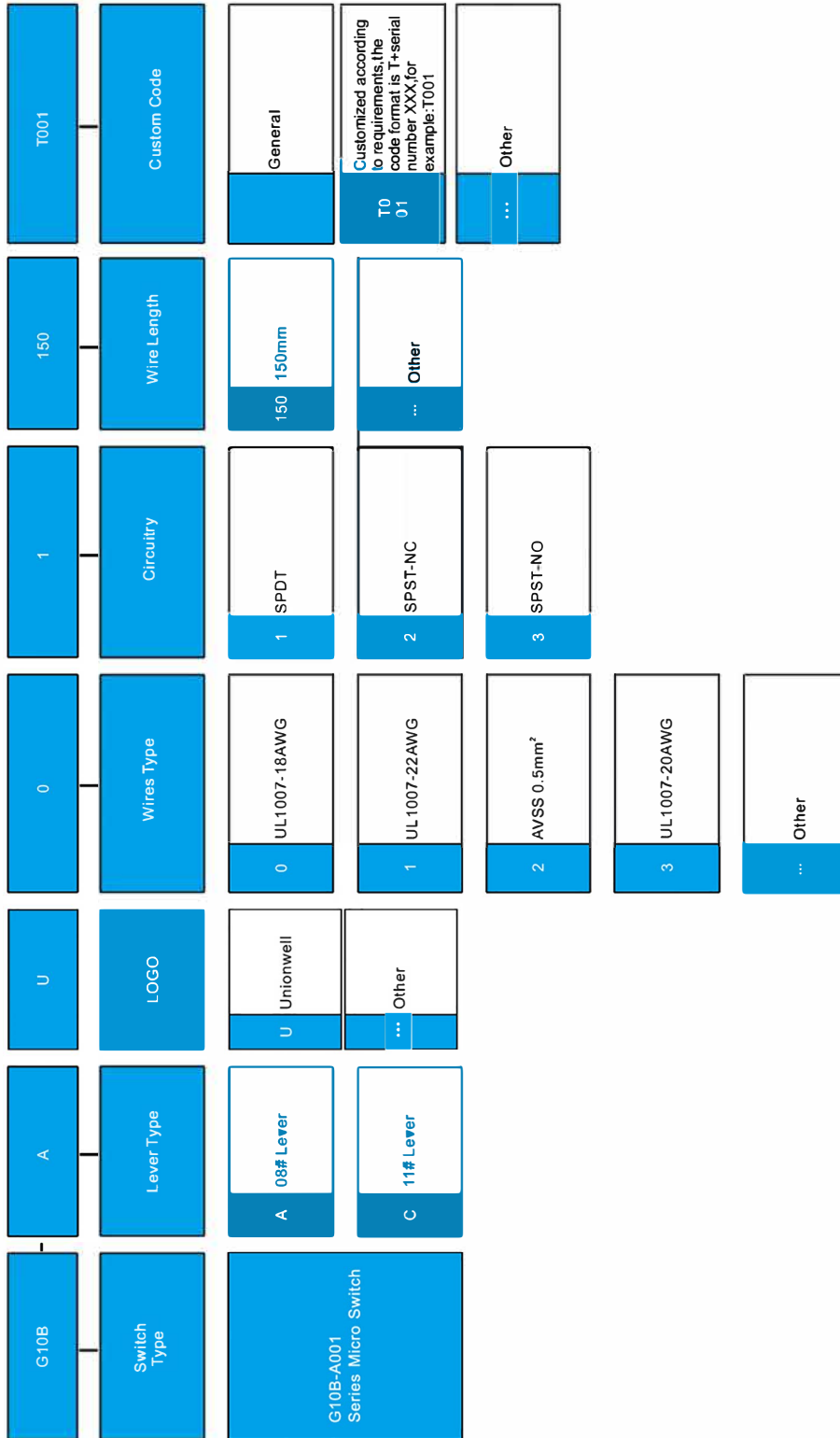
- ◆ Car
- ◆ Charging Station
- ◆ Charging Gun
- ◆ Air-Conditioner
- ◆ Communication

■ Parameters

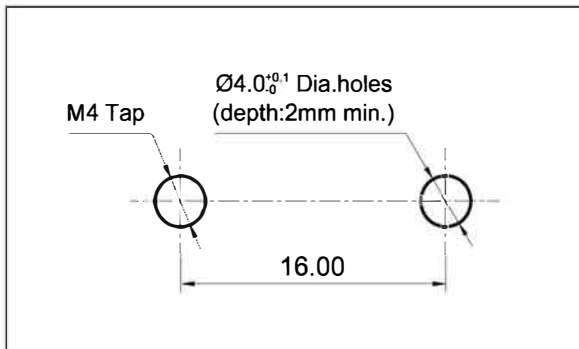
Rating		1A/30VDC
Operating Frequency	Electrical	10~30 cycles/min
	Mechanical	120 cycles/min
Contact Resistance (Initial Value)		100mΩ Max.
Insulation Resistance (at 500 VDC)		100MΩ Min. (at 500VDC with insulation tester)
Dielectric Strength		500VAC 50~60Hz for 1 Min
Operating Temperature		-40°C~ +85°C
Operating Humidity		85% RH Max
Service Life	Electrical	10,000 cycles
	Mechanical	300,000 cycles



G10B-A001 Series Micro Switch Ordering Instruction



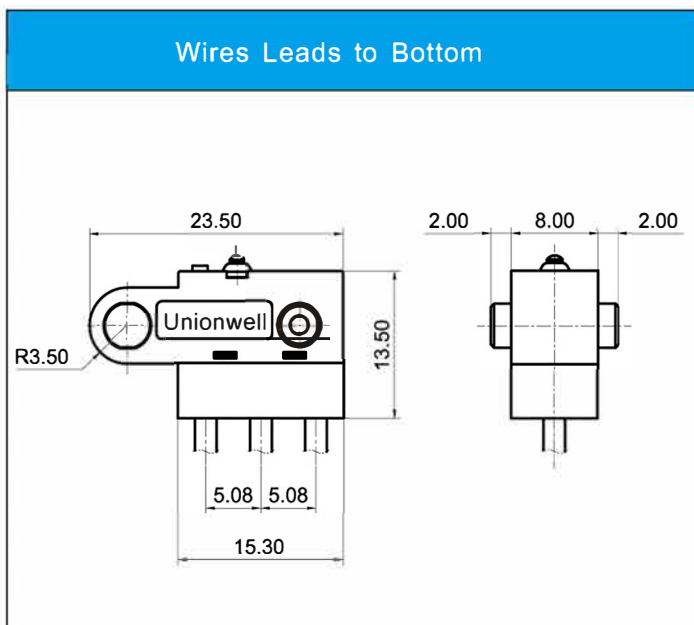
■ Mounting Hole Dimensions



■ Circuit Configuration

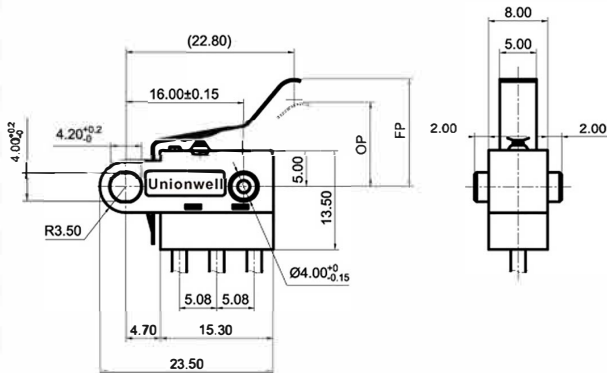
SPDT	SPST-NC	SPST-NO

■ Lead Wire Style



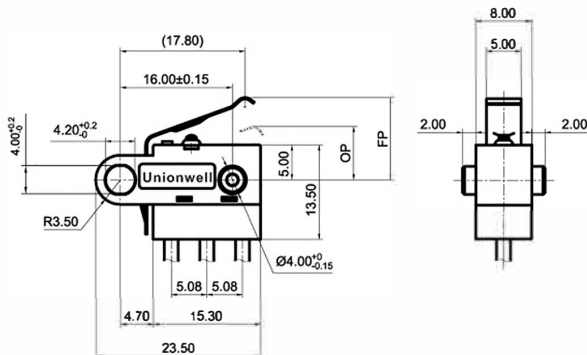
Overall Dimensions and Operating Characteristics

◆ G10B-A□□1U



OF Max. (gf)	RF Min. (gf)	PT Max. (mm)	OT Min. (mm)	DT Max. (mm)	FP Max. (mm)	OP (mm)
250	30	6.00	1.00	1.20	16.50	11.50±2.00

◆ G10B-C□□1U



OF Max. (gf)	RF Min. (gf)	PT Max. (mm)	OT Min. (mm)	DT Max. (mm)	FP Max. (mm)	OP (mm)
300	60	6.00	0.30	1.00	12.50	6.80±1.00