

Unionwell

G13 Series

Dustproof Micro Switch



■ Features

- ◆ Small and compact
- ◆ Long life, high reliability
- ◆ Dustproof design
- ◆ Touch contact structure

■ Application

- ◆ Breakers

■ Parameters

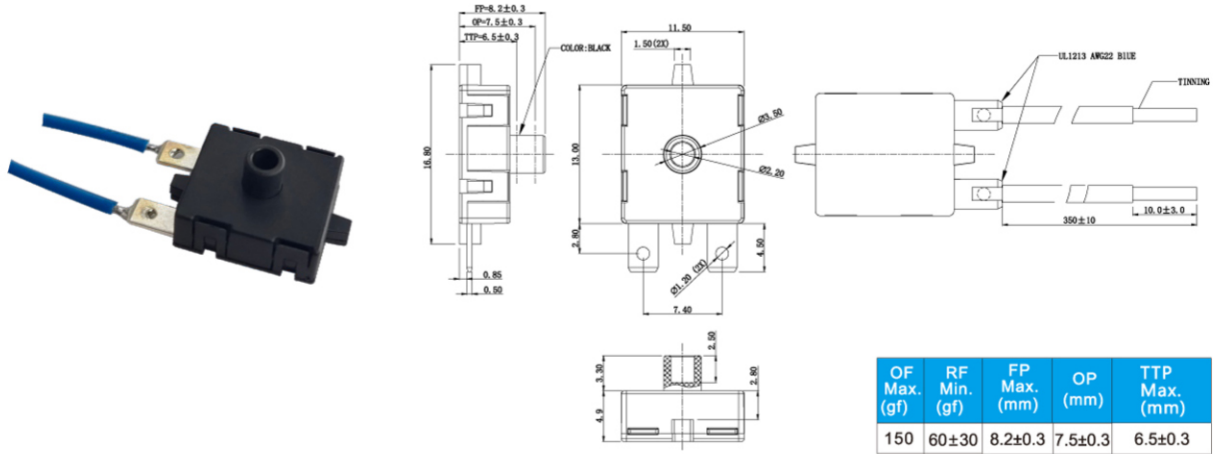
Rating	5A 250VAC 1E4	
Operating Frequency	Electrical	10~30 cycles/min
	Mechanical	120 cycles/min
Contact Resistance(Initial Value)	100mΩ Max.	
Insulation Resistance	100MΩ Min.	
Dielectric Strength	1,000 VAC (50~60Hz)	
Operating Temperature	-40°C~+150°C	
Operating Humidity	85%RH Max.	
Service Life	Electrical	10,000 cycles
	Mechanical	100,000 cycles

■ Contact Configuration

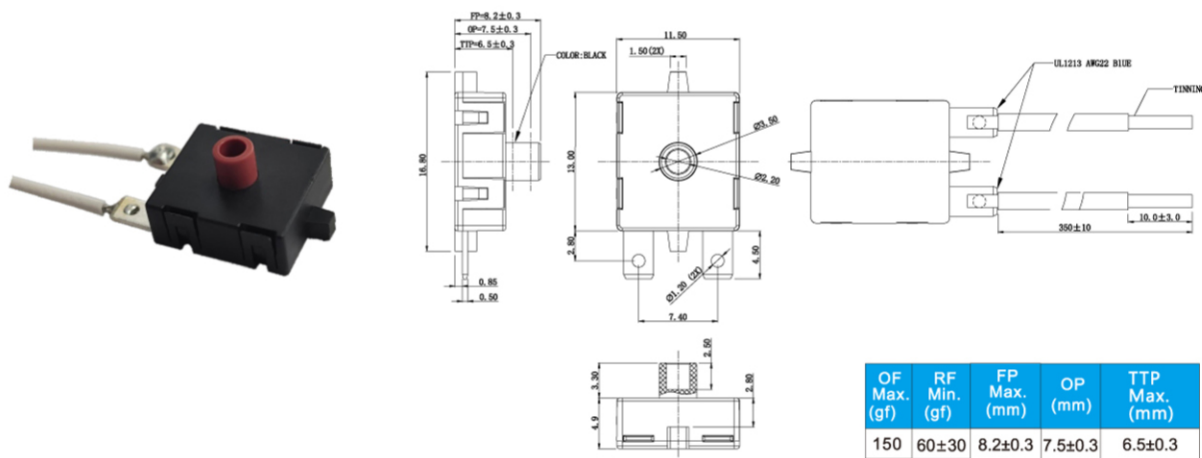
A001/A003	A002/A004
<p>NC ○ — ○ — ○ — ○ NC</p>	<p>NO ○ — ○ — ○ — ○ NO</p>

■ Dimensions and Operating Characteristics

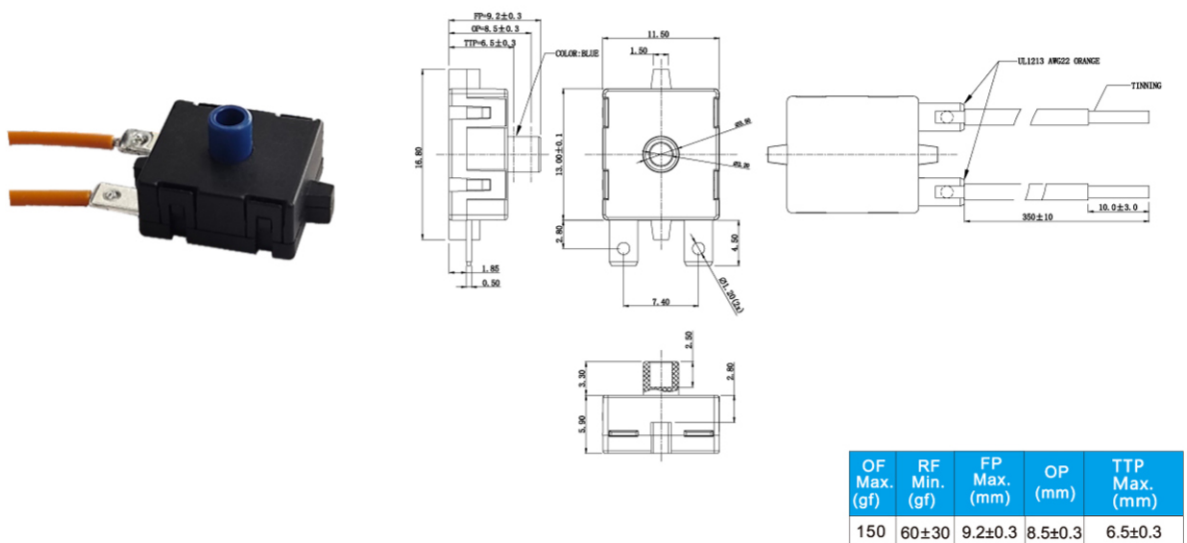
◆ G13-A001



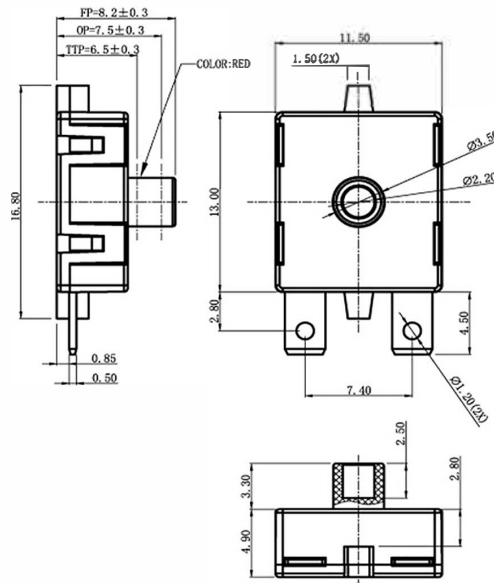
◆ G13-A002



◆ G13-A003



◆ G13-A004



OF Max. (gf)	RF Min. (gf)	FP Max. (mm)	OP (mm)	TTP Max. (mm)
150	60±30	8.2±0.3	7.5±0.3	6.5±0.3