

## G21 Series

DPDT Limit Micro Switch



### ■ Features

- Long Life,High Reliability
- DPDT Double -Break Type
- Widely used in Industry Control, etc.

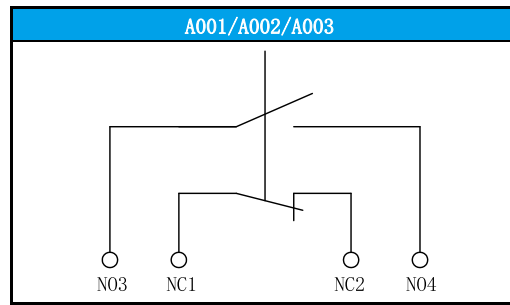
### ■ Application

Communication tools, field work vehicles, etc.

### ■ Parameters

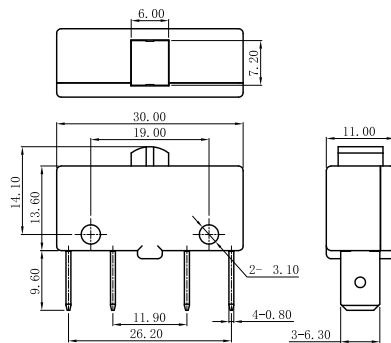
Rating		DC14: 6A 12VDC; 2A 24VDC 0.6A 55VDC
Operating Frequency	Electrical	60 cycles/minute
	Mechanical	180 cycles/minute
Contact Resistance(Initiative)		100m $\Omega$ Max
Insulation Resistance(at500VDC)		100M $\Omega$ Min
Service Life	Electrical	1000,000 cycles
	Mechanical	3000,000 cycles
Storage Temperature		-30 $^{\circ}$ C~+85 $^{\circ}$ C
Storage Humidity		95%RH Max
Operating Temperature Range		-30 $^{\circ}$ C~+65 $^{\circ}$ C

## ■ Circuit Configuration



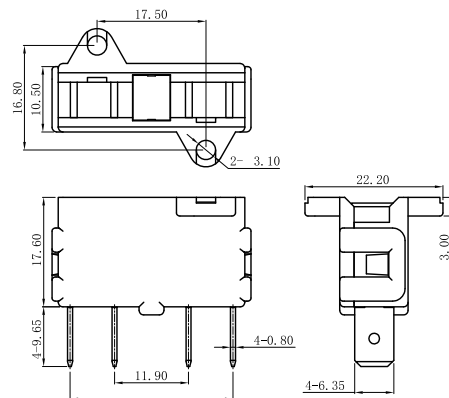
## ■ Dimensions and Operating Characteristics

### ◆ G21-A001



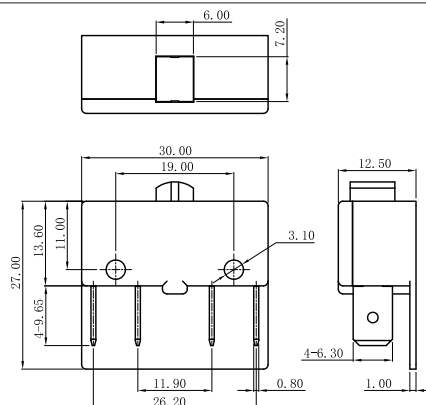
Part Number	PT (mm) Max	OT (mm) Min	DT (mm) Max	OF (gf) Max
G21-A001	1.50	0.70	1.00	250

### ◆ G21-A002



Part Number	PT (mm) Max	OT (mm) Min	DT (mm) Max	OF (gf) Max
G21-A002	1.50	0.70	1.00	250

### ◆ G21-A003



Part Number	PT (mm) Max	OT (mm) Min	DT (mm) Max	OF (gf) Max
G21-A003	1.50	0.70	1.00	250