

G22 Series

Micro Switch



■ Features

- Tight Configuring, Sliding Contact, Long Travel
- Long Life, High Reliability
- Widely Used in Home Appliances, Electronic Equipments, Automatic Machines, Communication Equipments, Auto Door Switch

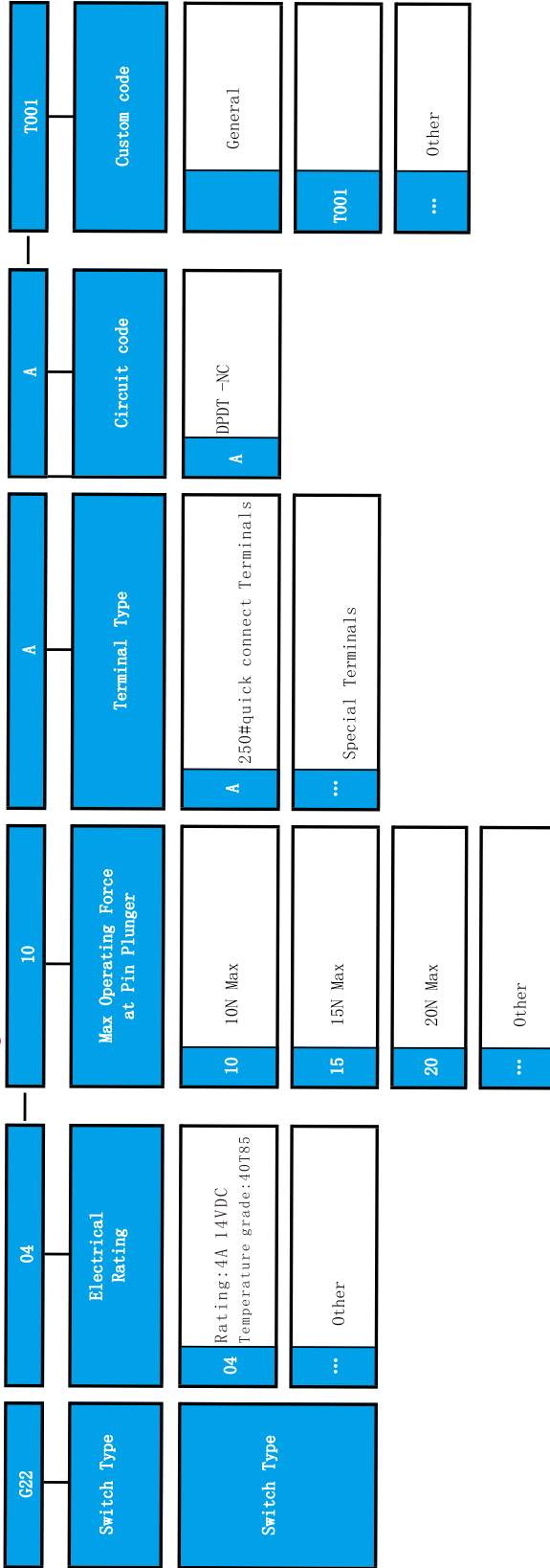
■ Application

- Home Appliances
- Electronic Devices
- Automatic Equipments
- Office Equipments
- Auto Electronics

■ Parameters

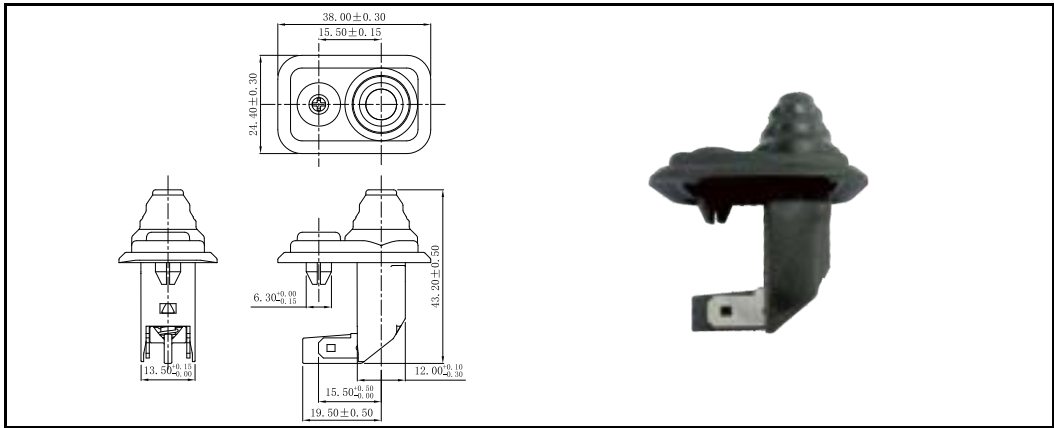
Operating Frequency		Mechanical:30 cycles/minute Electrical:10 cycles/minute
Insulation Resistance(at 500VDC)		$\geq 10M \Omega$ (500VDC)
Contact Resistance(Initiative)		$\leq 100m \Omega$
Voltage Resistance	Between each terminals of the same polarity	AC1000V, 50/60HZ, 1min.
	Between current-carrying metal part and ground, and between each terminal and non-current-carrying metal parts	AC1500V, 50/60HZ, 1min.
Vibration Durability		10~55HZ, 1.5mm
Storage Temperature		-40 ~ 85 °C
Storage Humidity		85% RH Max
Service Life	Electrical	50000 cycles
	Mechanical	100000 cycles

G22 Series Auto Door Switch Ordering Instruction

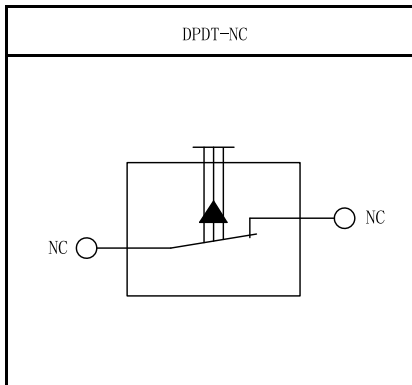


Unionwell

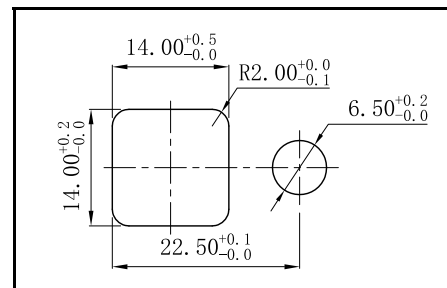
Shape Characteristics



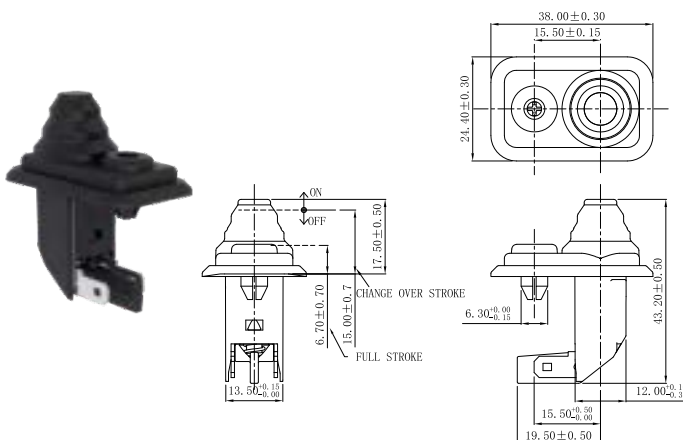
Circuit



Mounting Hole location



Dimensions and Operating Characteristics



operating parameter

model number	FP (mm)	OP (mm)	OF Max. (N)	PT (mm)	TTP (mm)
G2204-10AA	17.5±0.5	15±0.7	10	2.5±1.2	8.7±0.7
G2204-15AA	17.5±0.5	15±0.7	15	2.5±1.2	8.7±0.7
G2204-20AA	17.5±0.5	15±0.7	20	2.5±1.2	8.7±0.7