

## G304A Series

High Reliability Sealed Slide Type Micro Switch



### ■ Features

- Small Electrical Rating and High Contact Reliability Switch
- Sliding Contact Mute Structure
- can be widely applied in different environments,  
IP67 rated
- Widely Used in Home Appliances, Electronic Equipments,  
Automatic Machines, Communication Equipments,  
Auto Electronics, Apparatus and Instrument, Power Tool etc

### ■ Application

- Home Appliance
- Electronic Equipments
- Automatic Equipments
- Communication Equipments
- Auto Electronics
- Apparatus and Instruments

### ■ Parameters

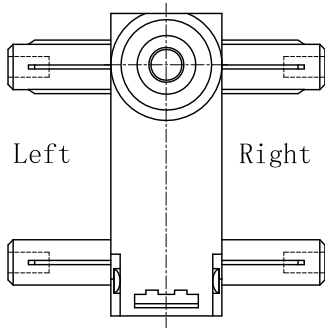
Operation Speed		1~500mm/s
Operation Frequency		120 cycles/min
Insulation Resistance		≥100MΩ
Contact Resistance (Initial Value)	with terminals type	≤100mΩ
	with wire type	≤500mΩ(Standard Wire Length 300mm)
Voltage Resistance	Between terminals	AC600V, 50/60HZ, 1min.
	Between terminals and uncharged metal parts	AC1500V, 50/60HZ, 1min.
Vibration Resistance	No transformation action	10-55HZ 1.5mm(double amplitude)
Service Life	Electrical	300,000 cycles(20 cycles/minte) DC12V 0.1A 50μA 3VDC
	Mechanical	300,000 cycles(30 cycles/min)
Storage Temperature		-40~85° C
Storage Humidity		85%RH Max

## G304A Series Micro Switch Ordering Instruction

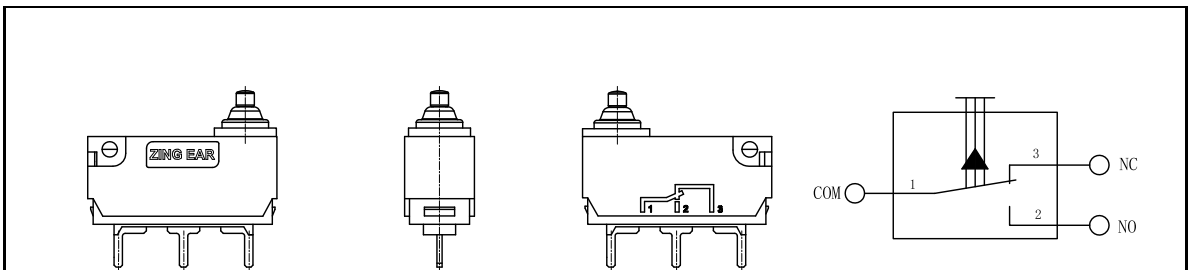
63	04A	160	E	27	D	49	A	B	A	B	280	T001
Switch Type	Electrical Rating	Operating Force at Pin Plunger, Max	Terminal Style	Lever Type	Circuit Code	Shape and Posts	Posts Dimension	ATC Type (for Wire type only)	ATC Number (For Wire type only)	Type of wires outline	Wires length	Special Designator
G304 Series Micro Switch	0.1A 12VDC 50 $\mu$ A 3VDC	160 150gfMax.	E T shape PCB terminals	No lever Pin/Plunger	D Slide Non-short Circuit Type, 1,3 Convert to 1,2 (SPD)	49 no post	A Standard posts:2.60mmx5.0mm	No molded lead wires		Wires leads Lobottom	30mm length molded lead wires 300mm	Special code
	... Other	... Other	P Standard PCB terminals	27 Straight Leaf lever	E Slide Type, spst-NO 1,2	50 left posts	B $\phi$ 2.6x1.5mmposts.	A. ULL1007	B	Molded lead, wires on left side	280/280mm length	... Other
			V Solder terminals	... Other	F Slide Type, SPST-C, 1,3	51 right posts		G 24#	F AVSS	Molded lead wires on left side		
			L Left side PCB terminals		... Other	52 no side posts		... Other	... Other	... Other		
			R Right side PCB terminals			... Other						
			... Other									

# Unionwell

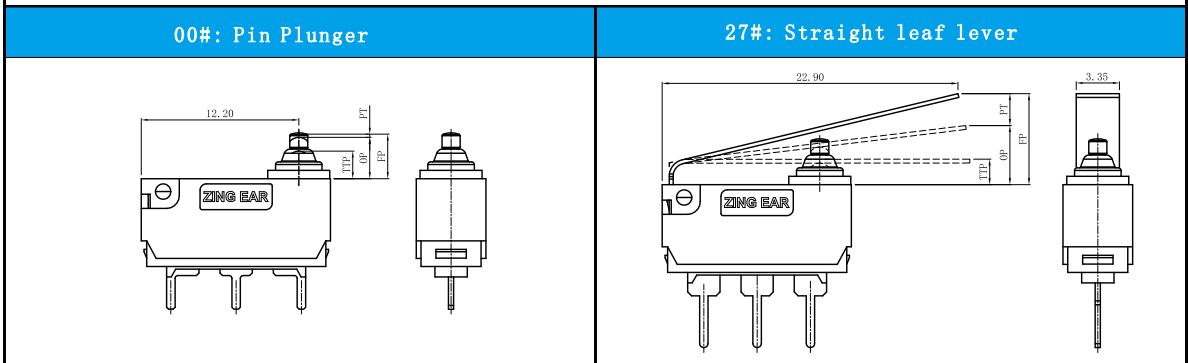
## ■ Posts direction define



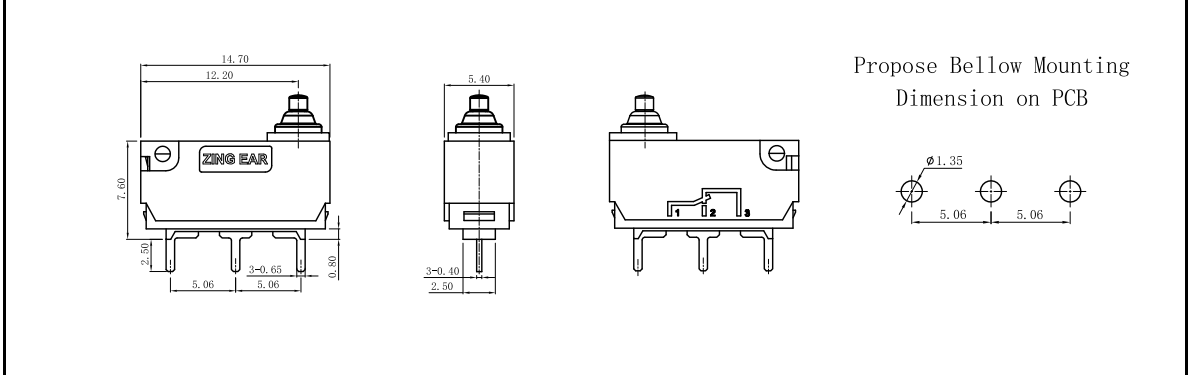
## ■ Circuit Configuration



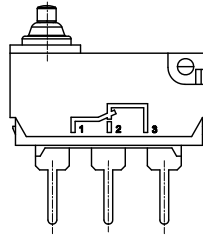
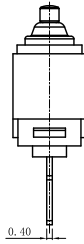
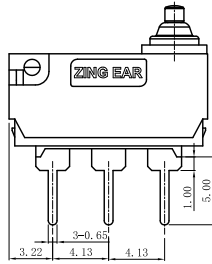
## ■ Operating Type



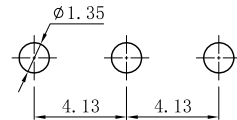
## ◆ Standard PCB Terminals



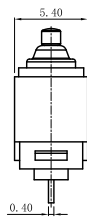
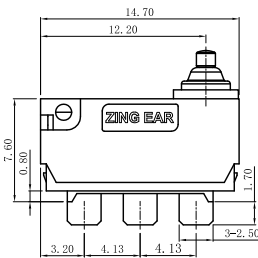
## ◆ T Shape PCB Terminals



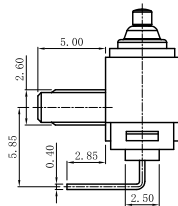
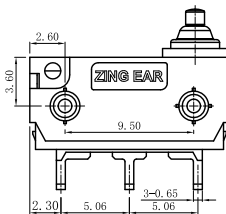
Propose Bellow Mounting  
Dimension on PCB



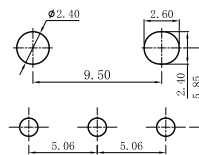
## ◆ Solder Terminal



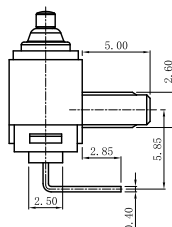
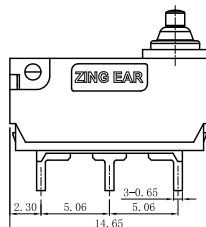
## ◆ Right PCB Terminals



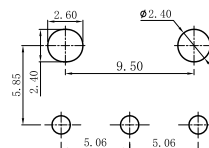
Propose Bellow Mounting  
Dimension on PCB



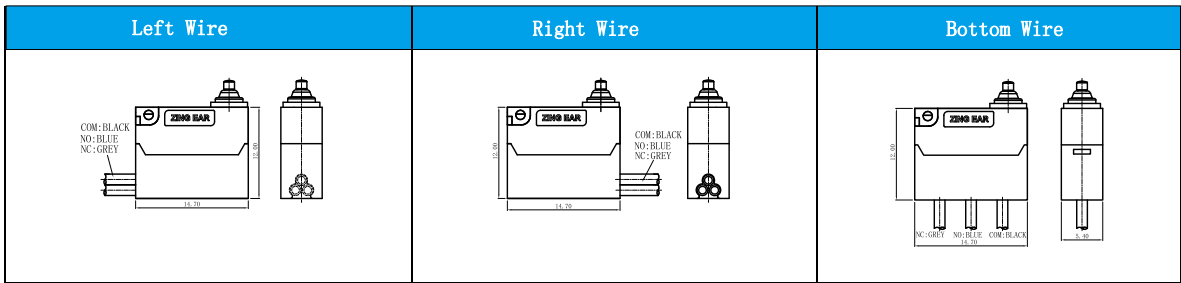
## ◆ Left PCB Terminals



Propose Bellow Mounting  
Dimension on PCB

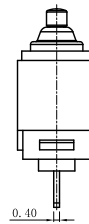
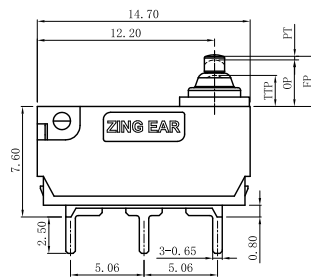


## ◆ Wire Leads



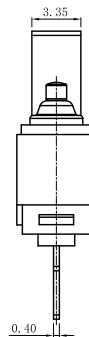
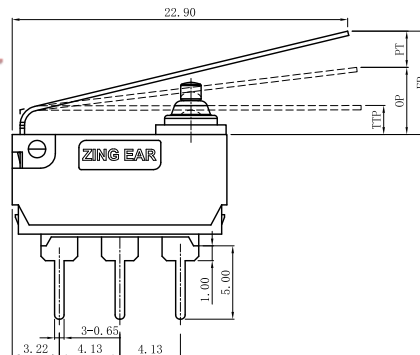
## ■ Dimensions and Operating Characteristics

### ◆ G304A-150E□49



OF Max (gf)	TTP Max (mm)	FP Max (mm)	OP (mm)
150	1.6	3.65	3.2±0.3mm 2.8±0.3mm

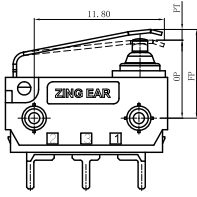
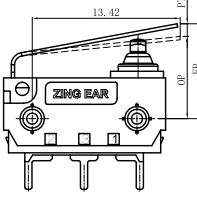
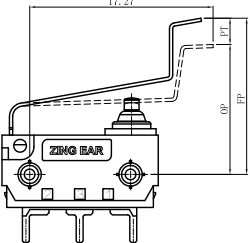
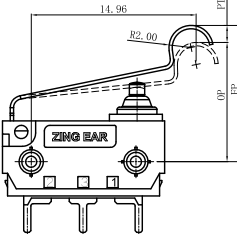
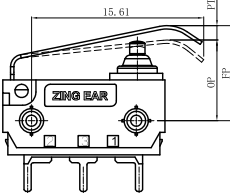
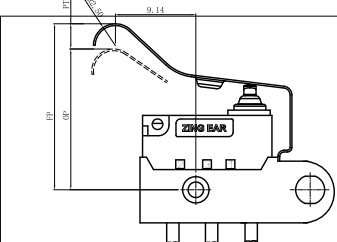
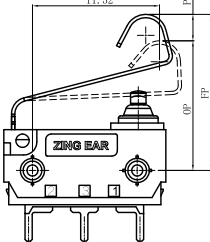
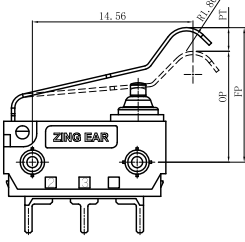
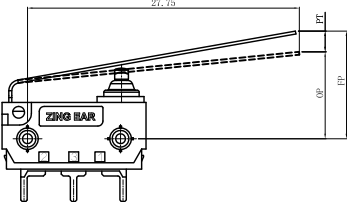
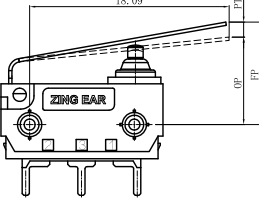
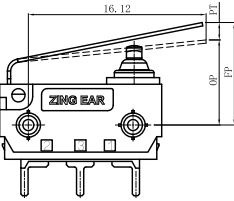
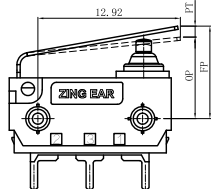
### ◆ G304A-150E27□49



OF Max (gf)	TTP Max (mm)	FP Max (mm)	OP (mm)
200	1.9	8.1	4.56+0.9/-0.7mm 3.35+1.2/-0.9mm

# Unionwell

■ G304A Lever List as Shown Below (Same as G303 Lever)

01#: Lever	02#: Lever	04#: Lever
		
05#:Lever	09#:Lever	10#:Lever
		
15#:Lever	22#:Lever	25#:Lever
		
28#:Lever	35#:Lever	36#:Lever
		
41#:Lever		
