

G305 Series

Subminiature Sealed Micro Switch



■ Features

- Designed for water and dust tight (IP67)
- Small Compact Size
- Long Life and High reliability
- Widely used in automotive electronics, appliance and industrial control

■ Application

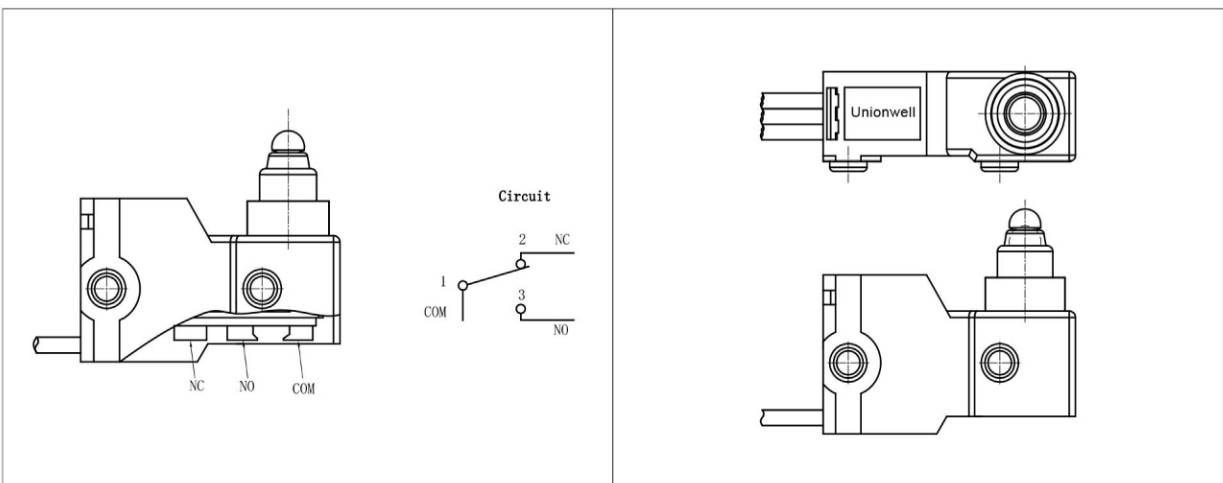
- ◆ Car
- ◆ Air-Conditioner
- ◆ Communication
- ◆ Electric tooth brush
- ◆ Toys
- ◆ Bicycle

■ Parameters:

| | | |
|------------------------------------|---|--|
| Rating | 2A 24VDC 4A 12VDC μ 40T85 10E4 | |
| Operating Frequency | Electrical | 0.1A-120cycles/minute ; 4A-10 ³ cycles/minute |
| | Mechanical | 120cycles/minute |
| Contact Resistance(Initiative) | 100m Ω Max | |
| Intial Value Resistance(at 500VDC) | 100M Ω Min | |
| Vibration durability | 10 ⁵ ~55Hz, move 0.75mm(p-p) | |
| Dielectric Strength | 500VAC (50~60Hz) | |
| Storage Temperature | -40 $^{\circ}$ C~+85 $^{\circ}$ C | |
| Storage Humidity | 85% RH Max | |
| Service Life | Electrical | 10,000 cycles |
| | Mechanical | Min. 500,000 cycles |

■ Circuit

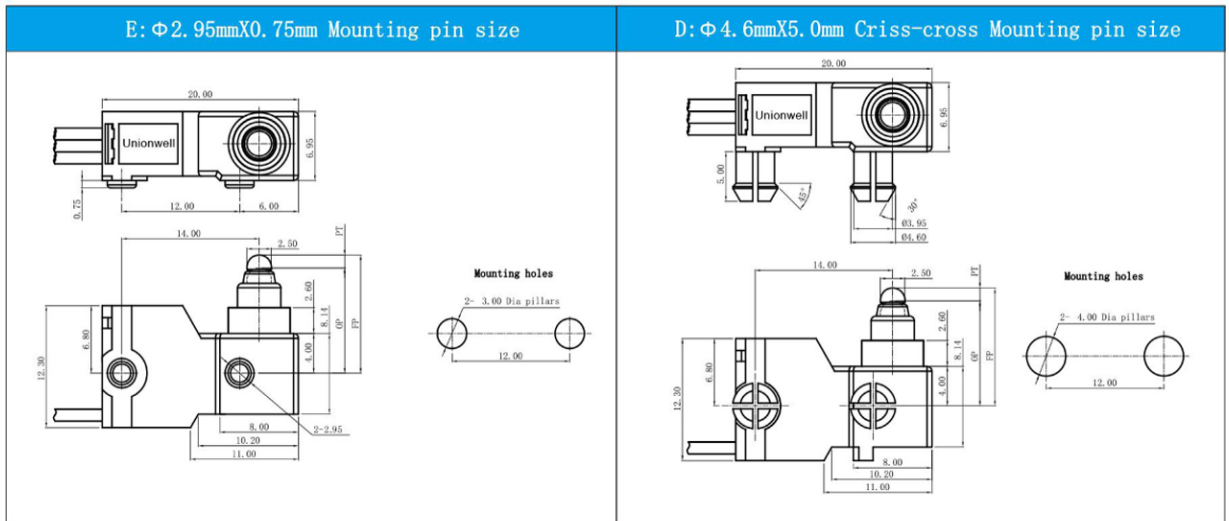
■ Switch Wire Type



G305 Series Micro Switch Ordering Instruction

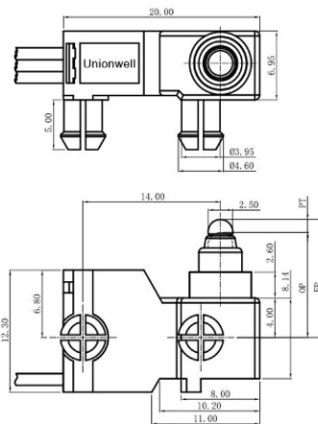
| | | |
|------|-------------------------------------|---|
| G3 | Switch Type | |
| 05 | Electrical Rating | 2A/24VDC 4A/12VDC #4078510F4 |
| 130 | Operating Force at Pin Plunger, Max | 130/130#Spring |
| F | Terminal Style | F Mided leadwires on right side (plunger side) |
| 00 | Lever Type | 00 No lever 13 13# Lever ... Other |
| A | Circuit Code | A SPDT B SPST-NC C SPST-NO |
| 33 | Shape and Posts | 33 Left side posts 34 right side posts |
| D | Posts Dimension | D Crosstype ϕ 4.6mm/5.0mm posts. E ϕ 2.95mm/3.75mm posts. ... Other |
| I | AWG Type (for Wire type only) | I 0.2mm ² |
| F | AWG Number (for Wire type only) | F AVSS |
| 280 | Wires Length | 300mm length standard lead 280 280mm length ... Other |
| XXXX | Custom Code | General Type According to XXXX customer's request |

■ Dimensions and Operating Characteristics of Basic Shape



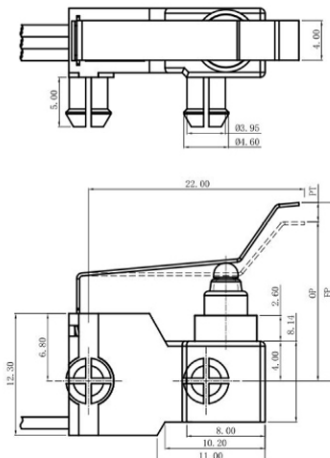
■ Switch Lever and Operating Characteristics

◆ G305-130F00A34D-IF-U



| OF Max (gf) | RF Min (gf) | PT Max (mm) | OT Min (mm) | DT Max (mm) | FP Max (mm) | OP (mm) |
|-------------|-------------|-------------|-------------|-------------|-------------|-------------|
| -130 | 200 | 25 | 1.5 | 0.7 | 0.6 | 10.60 ± 0.4 |

◆ G305-130F13A34D-IF-U



| OF Max (gf) | RF Min (gf) | PT Max (mm) | OT Min (mm) | DT Max (mm) | FP Max (mm) | OP (mm) | |
|-------------|-------------|-------------|-------------|-------------|-------------|---------|------------|
| -130 | 250 | 25 | 3.3 | 1.2 | 1.1 | 21 | 16.0 ± 0.8 |