

G309 (G-Type) Sub-miniature Micro Switch



■ Features

- Designed For Water And Dust Tight (IP67)
- Small Compact Size
- Long Life And High Reliability
- Variety Of Levers
- Wide Range Of Wiring Terminals
- Widely Used In Automotive Electronics, Appliance And Industrial Control Etc.
- Customized Designs
- Contact Structure

■ Application

- Car
- Air-Comditioner
- Communication
- Electric Tooth Brush
- Toys

■ Parameters

Operating		1~500mm/s
Operating Frequency		120次/min
Insutation Resistance		≥100MΩ (DC 500V insulating-resistance meter)
Insutation Resistance (Initiative)	with terminals type	≤100mΩ
	with wire type	≤500mΩ (300mm wire length)
Insutation Resistance (Initiative)	Between terminals	AC500V, 50/60HZ, 1min.
	Between terminals and uncharged metal parts	AC1000V, 50/60HZ, 1min.
Vibration Resistance	No transformation action	10~55HZ Double amplitude 1.5mm
Service Life	Electrical	300000 cycles (20 cycles/min) DC12V 0.1A DC3V 50μA
	Mechanical	300,000 cycles (30 cycles/min)
Protection Level		IEC IP67 (Except the terminal part)
Storage Termperture		-40~+85°C 60%RHunder (With no icing or condensation)
Storage Humidity		95%RH under (+5~+35°C)

G309 G-Type Series Micro Switch Ordering Instruction

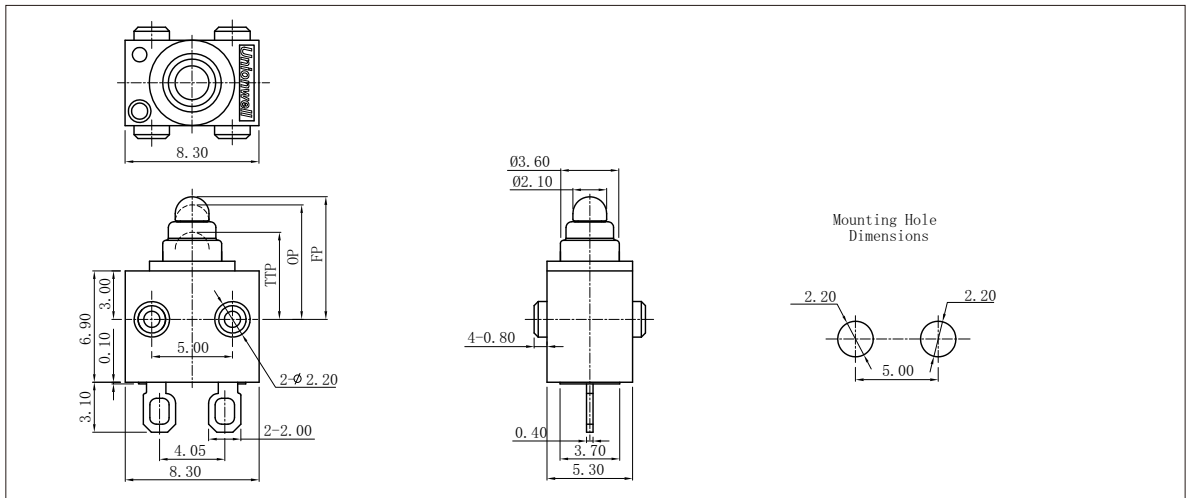
Switch Type	150	P	00	E	39	Posts Dimension	G	A	280	Special Designator
Opening Force spring/plunger, N	Terminal Style	Lever Type	Circuit Code	Shape and Posts	Posts Dimension	AWG Type (for Firetype only)	AWG Number (for Firetype only)	Wires Length	Special Designator	
80	Short Solder Terminals	00 Nolever Pin Plunger	E Slide Type SPST-NO	39 G Type no post	F Type Standard posts: 2.60mmx5.0mm	NoMolded Lead Wires	NoMolded Lead Wires	300 500mm Length Molded Wires 300mm	S Special Code	
150	Solder Terminals	... Other	F Slide Type SPST-NC	40 G Type Left Posts	G 402.6X1.5mm posts.	A UL1007	A UL1007	280 280mm Length	B Molded Lead Wires on Left Side	
... Other	Straight PCB Terminals	... Other	... Other	41 G Type Right Posts	H 402.6X2.0mm posts.	G 24#	F AWSS	... Other	C Molded Lead Wires on Left Side	
... Other	Z Other Solder Terminals with Right Hole	... Other	... Other	42 G Type two Sides Posts	I 402.2X0.8mm posts.	Other	G UL3132	... Other	E Molded Lead Wires on Bottom	
... Other	Other	... Other	... Other	44 G Type Revers Left Posts	K 7.3X1.2X1.2mm posts.	... Other	... Other	... Other	... Other	

■Circuit

■Post direction define

SPST-NO	SPST-NC	
<p>The gasket is gray (密封圈为灰色)</p> <p>Terminal NO.2 Terminal NO.1</p>	<p>The gasket is green (密封圈为绿色)</p> <p>Terminal NO.2 Terminal NO.1</p>	

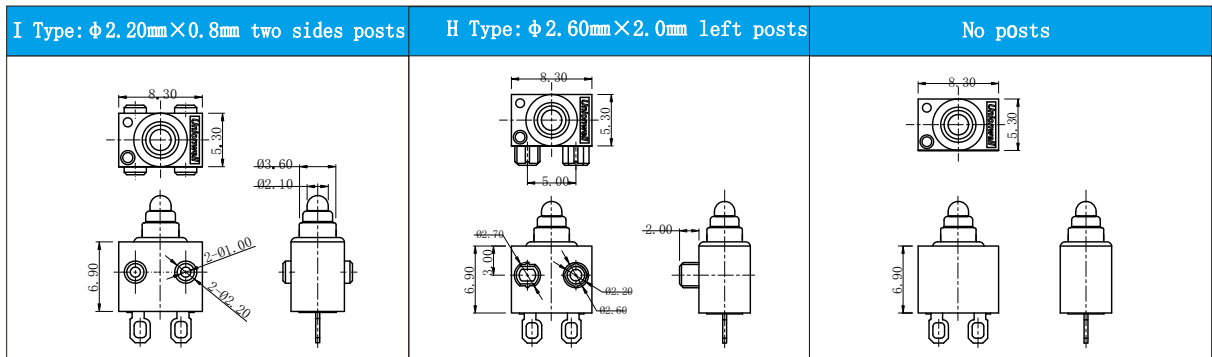
■Basic Mounting Dimensions And Operating Characteristics



■Switch Terminal Type (Can be customized)

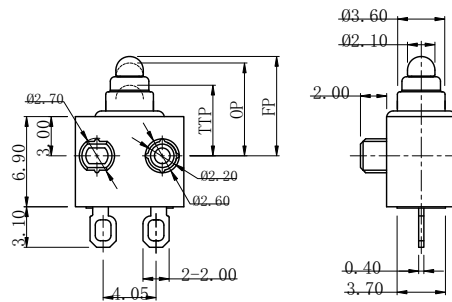
5# Straight PCB Terminals	Short Solder Terminals With Hole
6# Solder Terminals	

Posts Type



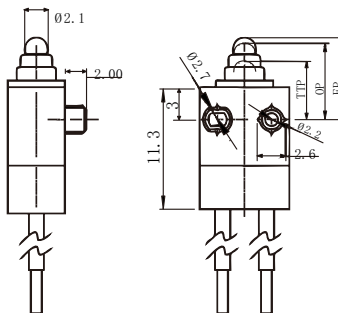
Dimensions And Operating Characteristics

◆ G309-150V00E40H-U



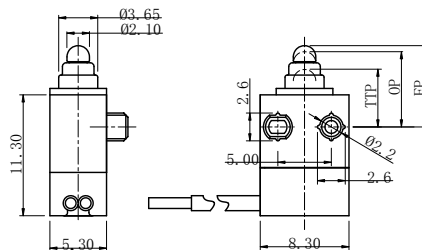
OF Max. (gf)	TTP Max. (mm)	FP Max. (mm)	OP (mm)
150	5.3	7.9	7.1±0.3

◆ G309-150M00E40H-◇◇◇◇E-U



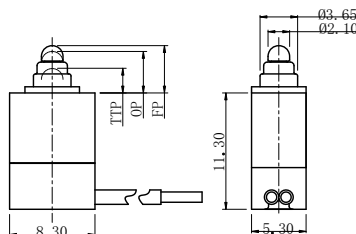
OF Max. (gf)	TTP Max. (mm)	FP Max. (mm)	OP (mm)
150	5.3	7.9	7.1±0.3

◆ G309-150M00E40H-◇◇◇◇B-U



OF Max. (gf)	TTP Max. (mm)	FP Max. (mm)	OP (mm)
150	5.3	7.9	7.1±0.3

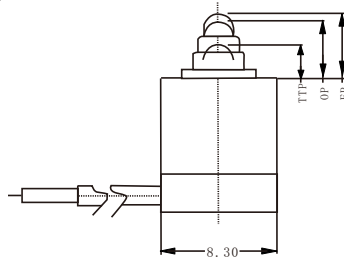
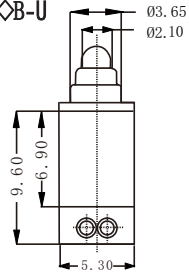
◆ G309-150M00E39-◇◇◇◇C-U



OF Max. (gf)	TTP Max. (mm)	FP Max. (mm)	OP (mm)
150	2.3	4.9	4.1±0.3

■ Dimensions And Operating Characteristics

◆ G309-150M00E39-◇◇◇◇B-U



OF Max. (gf)	TTP Max. (mm)	FP Max. (mm)	OP (mm)
150	2.3	4.9	4.1±0.3