

G6 Series

Miniature Micro Switch



■ Features

- Small Compact Size
- Global Safety Approvals
- Long Life and High Reliability
- Variety of Actuator and Terminals
- High Rating to 10(2)A, 1/4HP
- Customized Designs
- Widely used in Auto Control, Appliance Control
Industrial Control etc.

■ Application

- ◆Phone
- ◆Air-Conditioner
- ◆Computer
- ◆Humidifier
- ◆Alarm
- ◆Timer
- ◆Mixer&Meat Grinder
- ◆Welding Machine
- ◆Neon Phone
- ◆Fax Machine
- ◆Game Controller
- ◆Pump
- ◆Gas Detector
- ◆Pencil Sharpener
- ◆Money Sorter
- ◆Food Processor
- ◆Electric Knife
- ◆Toy Car
- ◆Juice Extractor
- ◆Lighting Equipment
- ◆Electric Frying pan
- ◆Push rod&Tubular Motor

■ Parameters

Rating	P1/P11/P12	ENEC:0.1A 125/250V 48VDC 5E4 UL:0.1A 125/250VAC 48VDC Gold Plated Contact Optional
	05/051/052	ENEC:5A 125/250VAC 5(3)A 125/250VAC 5A 30VDC UL:5A 1/8 HP 125/250VAC
	10/101	ENEC:10 (2) A 125/250VAC μ 25T125 UL:10.1A 1/4HP 125/250VAC Note:Only with "0F" over "250gf"
	12	ENEC:12(6)A 125/250VAC μ 40T125 UL:12A 125/250VAC Note:Only with 350gf 0F
Operating Frequency	Electrical	10 [~] 30 cycles/minute
	Mechanical	120 cycles/minute
Contact Resistance (Initiative)		100m Ω Max
Insulation Resistance (at 500VDC)		100m Ω Min
Dielectric Strength		AC 1,000V RMS (50 [~] 60Hz)
Storage Temperature		-25 [°] [~] +125 [°] C
Storage Humidity		85%RH Max
Service Life	Electrical	10,000 [~] 50,000 cycles (Depend on part NO.)
	Mechanical	1,000,000 cycles

G6 Series Micro Switch Ordering Instruction

G6	05	150	S	00	A	A	TXXX
Switch Type	Electrical Rating	Max Operating Force at pin Plunger	Terminal Style	Lever Type	Circuit Code	Special Designator	Special Designator
G6 series micro switch	P1 ENEC/CQC: 0.1A 125/250VAC 48VDC 5E4 μ 25T125 UL: 0.1A 125/250VAC 48VDC Gold plated contact optional	50gf 0.49N 50 (Only for 0.1A rating)	S Solder Terminals	00 No lever Pin Plunger	A SPDT	General	Here means a special designator letter. Refer to Products Specification for detailed differences.
	05 ENEC/CQC: 5A 125/250VAC 30VDC 5E4 μ 25T125 UL: 5A I/8HP 125/250VAC 30VDC	100gf 0.98N 100 (Only for 0.1A and 5A rating)	P Straight PCB Terminals	01 (16.7mm) Short Straight Lever 0.66"	B SPST-NC	A Gold Plated Contacts (Optional, only for G6P1)	
	10 ENEC/CQC: 10(2)A 125/250VAC μ 25T125 UL: 10.1A 1/4HP 125/250VAC Note: Switch "10" rating is only available with OF over "250gf"	150gf 1.49N 150 (Note: For G6P11, G6051, G6101, Max. OF is 150gf)	R Right side PCB Terminals (Note: Only available for G6P1, G605, G610)	02 (18.7mm) Std. Straight Lever 0.74"	C SPST-NO	D High DC Rating Special use	
	12 ENEC/CQC: 12(6)A 125/250VAC, μ 40T125 UL: 12A 125/250VAC OF: only with 350gf	250gf 2.45N 250 (Note: Only available for G6P1, G605, G610)	L leftside PCB Terminals (Note: Only available for G6P1, G605, G610)	03 (24.8mm) Long Straight Lever 0.98"		... Other	
	P11 ENEC/CQC: 0.1A 125/250VAC 48VDC UL: 0.1A 125/250VAC 48VDC Gold plated contact optional Spring plate type	350gf 3.43N 350 mainly for G612	D 110# Non-Std quick connect Terminals 0.11x0.023"	04 (35.10mm) Longer Straight Lever 1.39"			
	051 ENEC/CQC: 5A 125/250VAC 5E4 μ 25T125 UL/CUL: 5A I/8HP 125/250VAC Spring plate type	F Special OF	E 110# Std quick connect Terminals 0.11x0.019"	05 (18.0mm) Std. Simulated Roller Lever 0.71"			
	101 ENEC/CQC: 10(2)A 125/250VAC μ 25T125 UL: 10.1A 1/4HP 125/250VAC Note: Switch with "10" rating are only available with "150" OF Spring plate type		... Special Terminals	06 (16.6mm) Roller Lever 0.65"			
	P12 ENEC/CQC: 0.1A 125/250VAC 48VDC 5E4 μ 25T85 UL: 0.1A 125/250VAC 48VDC Gold plated contact optional Bakelite Spring plate type			07 (17.9mm) Small Simulated Roller Lever 0.71"			
	052 ENEC/CQC: 5A 125/250VAC 5E4 μ 25T85 UL: 5A I/8HP 125/250VAC Bakelite housing Spring plate type			09 Plastic Roller Lever			
			... Other				

■ Mounting Hole Dimensions

Solder and 110#Terminal	Straight PCB Terminal	Right Angled PCB Terminal	Left Angled PCB Terminal

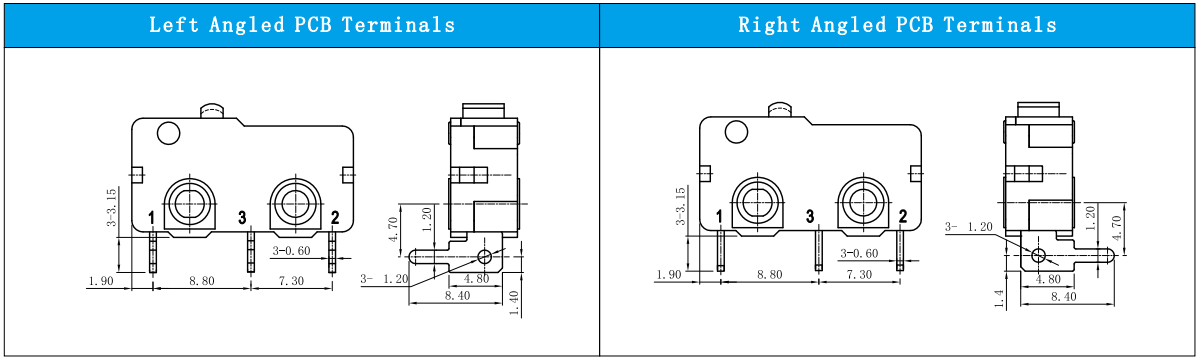
■ Circuit Configuration

A# SPDT	B# SPST-NC	C# SPDT-NO

■ Terminal Dimensions

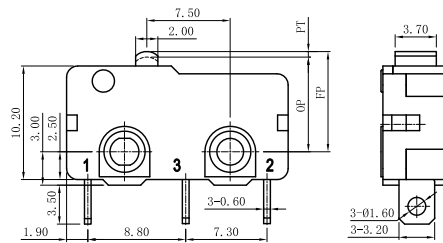
(单位/Unit:mm)

Solder Terminals	Straight PCB Terminals
Non-Std: Quick Connect Terminals (Thickness:0.6mm)	Std:Quick Connect Terminals (Thickness:0.5mm)



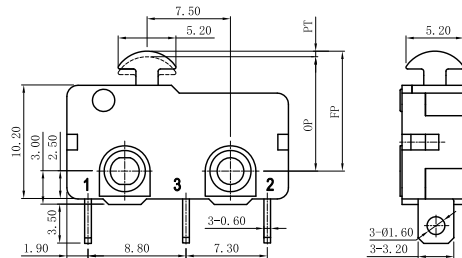
■ Dimensions and Operating Characteristics

◆ G6□□-□□□S00A



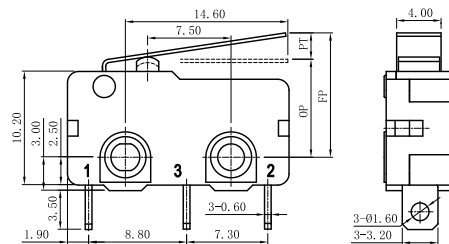
OF Max (gf)	RF Min (gf)	PT Max (mm)	OT Min (mm)	DT Max (mm)	FP Max (mm)	OP (mm)	
-100	100	10	1.0	0.4	0.2	9.1	8.5±0.3
-150	150	35	1.0	0.4	0.2	9.1	8.5±0.3
-250	250	50	1.0	0.4	0.2	9.1	8.5±0.3
-350	350	80	1.0	0.4	0.2	9.1	8.5±0.3

◆ G6□□-□□□S00A-B3



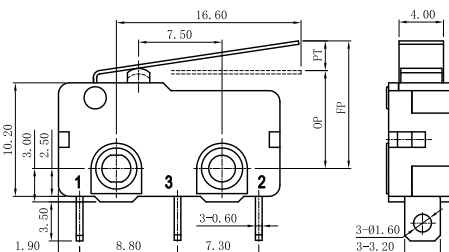
OF Max (gf)	RF Min (gf)	PT Max (mm)	OT Min (mm)	DT Max (mm)	FP Max (mm)	OP (mm)	
-100	100	10	1.0	0.4	0.2	10.9	10.3±0.3
-150	150	35	1.0	0.4	0.2	10.9	10.3±0.3
-250	250	50	1.0	0.4	0.2	10.9	10.3±0.3

◆ G6□□-□□□S01A



OF Max (gf)	RF Min (gf)	PT Max (mm)	OT Min (mm)	DT Max (mm)	FP Max (mm)	OP (mm)	
-100	40	6	3.6	0.6	1.0	11.7	8.9±1.0
-150	50	8	3.6	0.6	1.0	11.7	8.9±1.0
-250	80	15	3.6	0.6	1.0	11.7	8.9±1.0
-350	110	30	3.6	0.6	1.0	11.7	8.9±1.0

◆ G6□□-□□□S02A

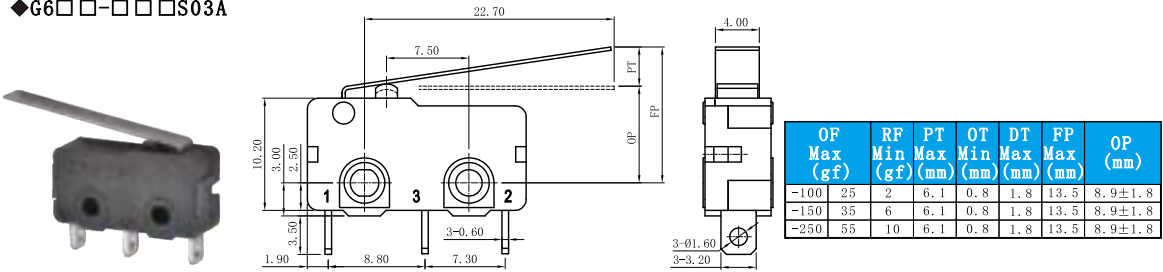


OF Max (gf)	RF Min (gf)	PT Max (mm)	OT Min (mm)	DT Max (mm)	FP Max (mm)	OP (mm)	
-100	35	5	4.0	0.6	1.0	12.0	8.9±1.2
-150	45	6	4.0	0.6	1.0	12.0	8.9±1.2
-250	75	10	4.0	0.6	1.0	12.0	8.9±1.2
-350	100	20	4.0	0.6	1.0	12.0	8.9±1.2

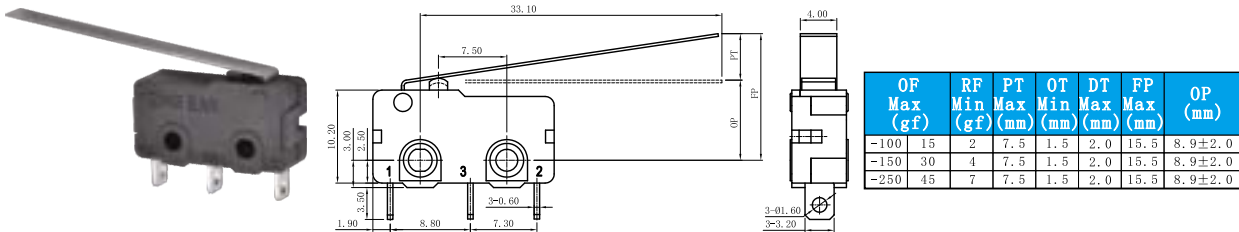
Unionwell

Dimensions and Operating Characteristics

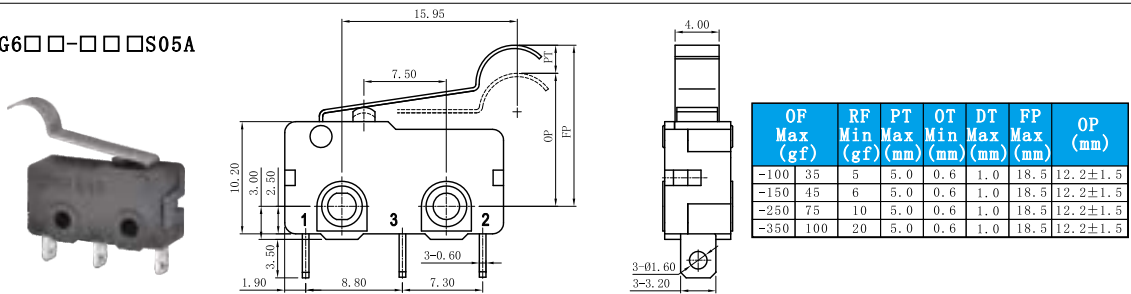
◆G6□□□□□S03A



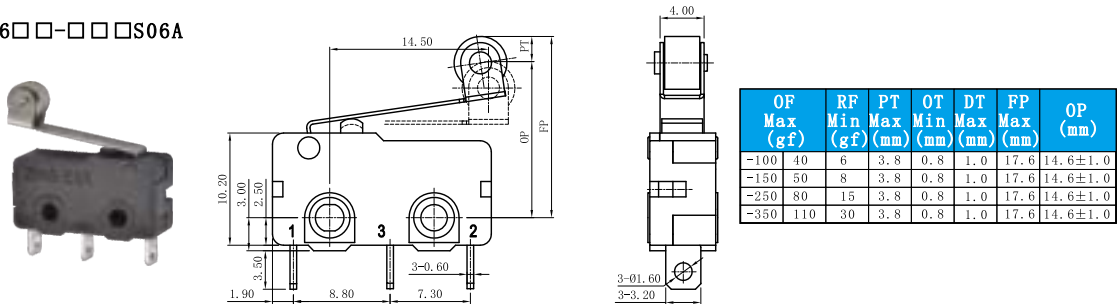
◆G6□□□□□S04A



◆G6□□□□□S05A



◆G6□□□□□S06A



◆G6□□□□□S07A

